

Stand alone modes DPD-1-300

Test:
Creates a rainbow colour effect.

Demo:
Uses internal patterns to trigger internal light shows.

Fixed colour:
Red, Yellow, Green, Cyan, Blue, Purple, White.

Sound:
Assigns the programs to sound to light.

P001-24:
Internal programs 1 through 24

Internal dimmer:
Sets the dimmer level between 100% to 20%

Display

TEST

Enter Select - +

Keys:
 1 = Enter
 2 = Select
 3 = - (down)
 4 = + (up)

TEST= TEST MODE

Hold **Enter** 3 Seconds

Addr = ADDRESS

001

↓ **-/+** ↑

001 - 511

Enter

SET

←

Enter

NODE = MODE

SHOW

Enter

↓ **-/+** ↑

SPLT = SPLIT

Enter

↓ **-/+** ↑

1

Enter

↓ **-/+** ↑

2

Enter

↓ **-/+** ↑

3

Enter

↓ **-/+** ↑

4

Enter

5 -150

ADDRESS

Enters address setting mode. Used to set the start DMX base address.

MODE

SHOW

Sets macro digitiser mode. uses 24 channels of DMX. Refers to personalities profile sheet.

SPLIT

Selects split mode ON as the control function. Feature can be custom set in "Split mode" located in menu option.

1 - 150

Allow any number of LEDs to be set at a pixel group from 1 - 150. Used to reduce the number of channels required to control LEDs

Menu set-up Parameters modes DPD-1-300

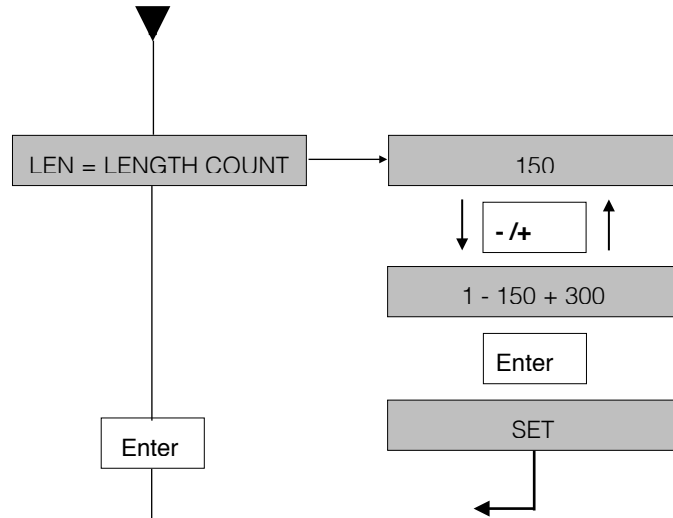
Menu options for setting the following:

- 1 : Address
- 2 : Mode
- 3 : Length
- 4 : Split
- 5 : Power balance
- 6 : Reverse
- 7 : Test
- 8 : Reset



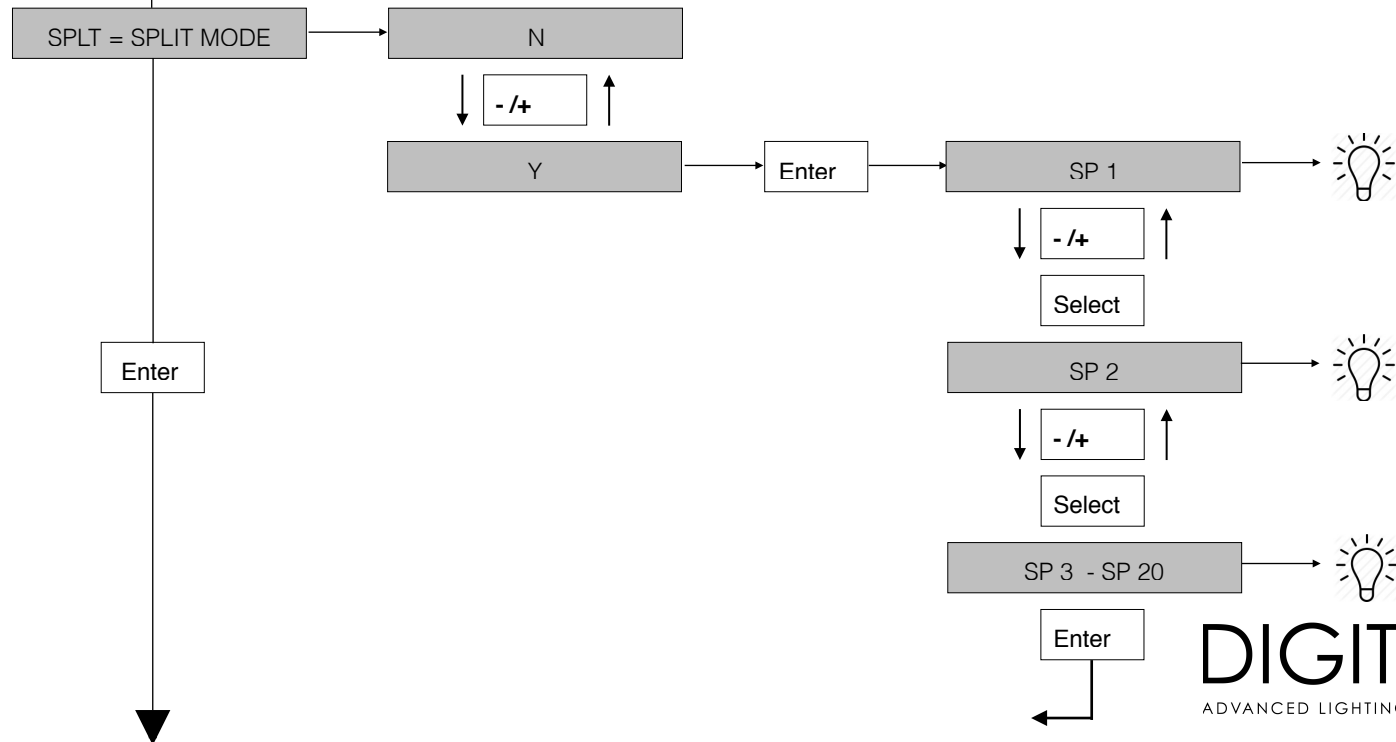
LENGTH

Sets the length of the LED strip by number of LEDs connected to the device. If 30 LEDs per meter, then 150 = 5 meters. 300 = 10 meters.



SPLIT

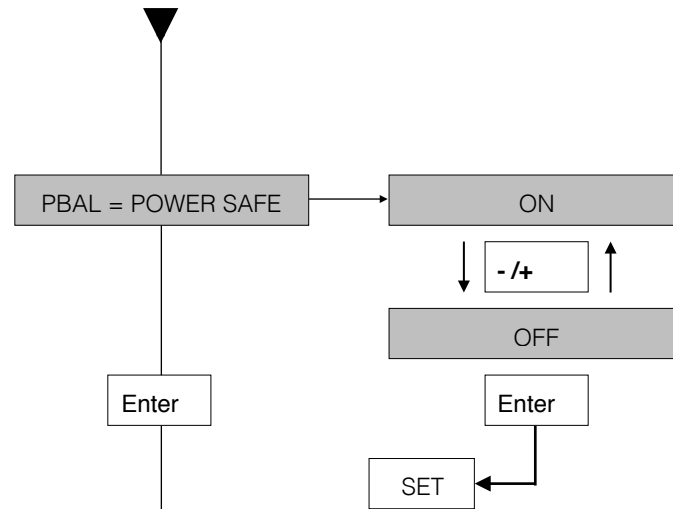
Variable amounts of LEDs can be grouped as an RGB pixel. 24 groups can be set.



POWER BALANCE

Controls the power to the LEDs so that if left in all on white the LEDs will be protected.

Used to even out the colours to reduce the effect of voltage drop.



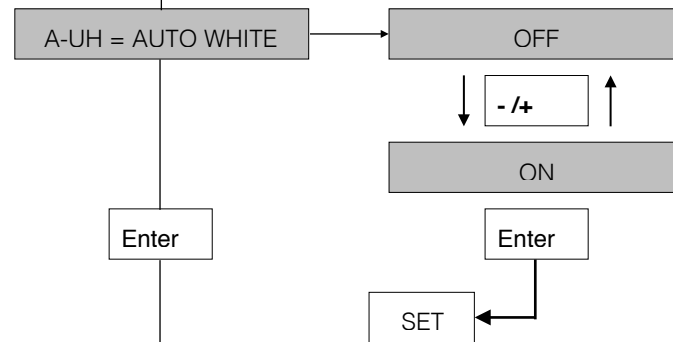
AUTO WHITE

Auto white mode condenses RGBW control channels to RGB channels.

This allows RGBW channels to be controlled as an RGB pixel.

When any 3 channel levels become equal the white led become lit.

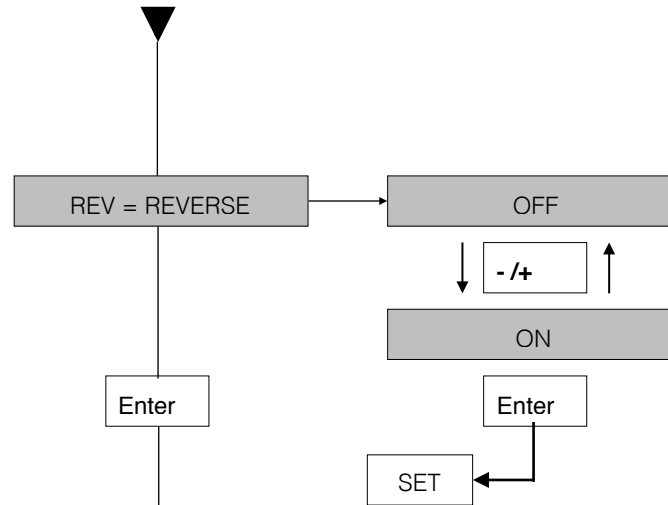
Reduces 4 channels to 3 channels.



REVERSE

Inverts LED output so that LED 1 becomes LED 150 and the LED strip functions in reverse.

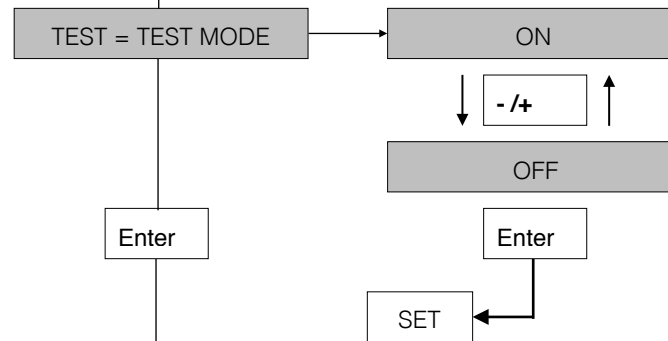
Mode is used when LEDs are required to be mirror imaged.



TEST

When "OFF" the stand alone function will not be visible and the LEDs will go in to black out when control is lost.

If "ON" the stand alone mode will display a light show state from the stand alone menu when DMX control is lost or not connected.



RESET

OPC - Clear or reset is used to reset the parameters of the driver menu back to factory reset.

Note: All settings will be lost as soon as the "Enter" key has been pressed.

