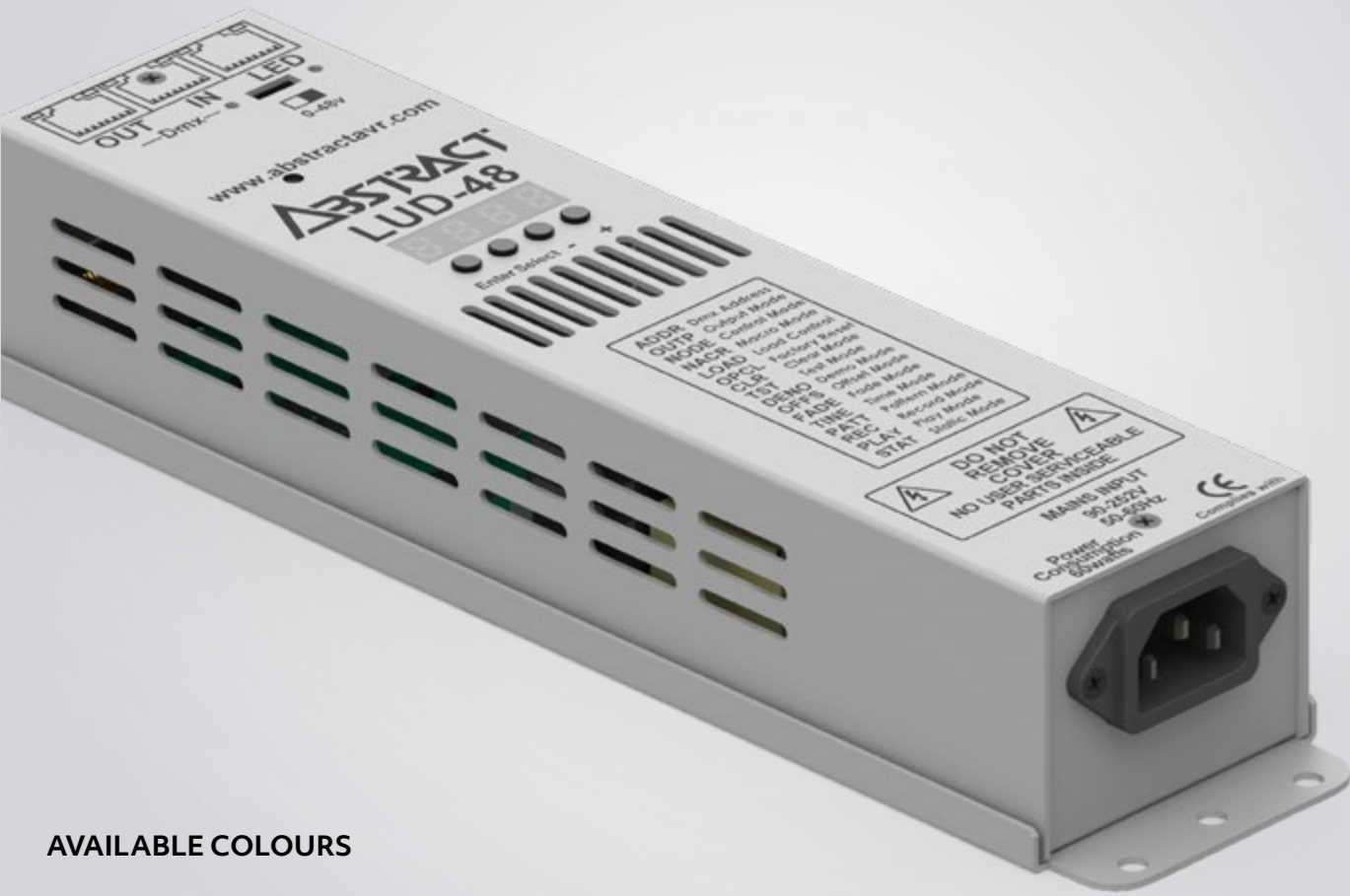




LUD RANGE

Constant Current 350mA RGBW / RGBA / TW LED DMX Drivers don't come more tested than the LUD range, with over 15 years in the field to back it up, this DMX driver range will keep your 350mA LED lighting running... and running... and running.



AVAILABLE COLOURS



LEDION ULTRA DRIVE 48

CC LED DMX DRIVER

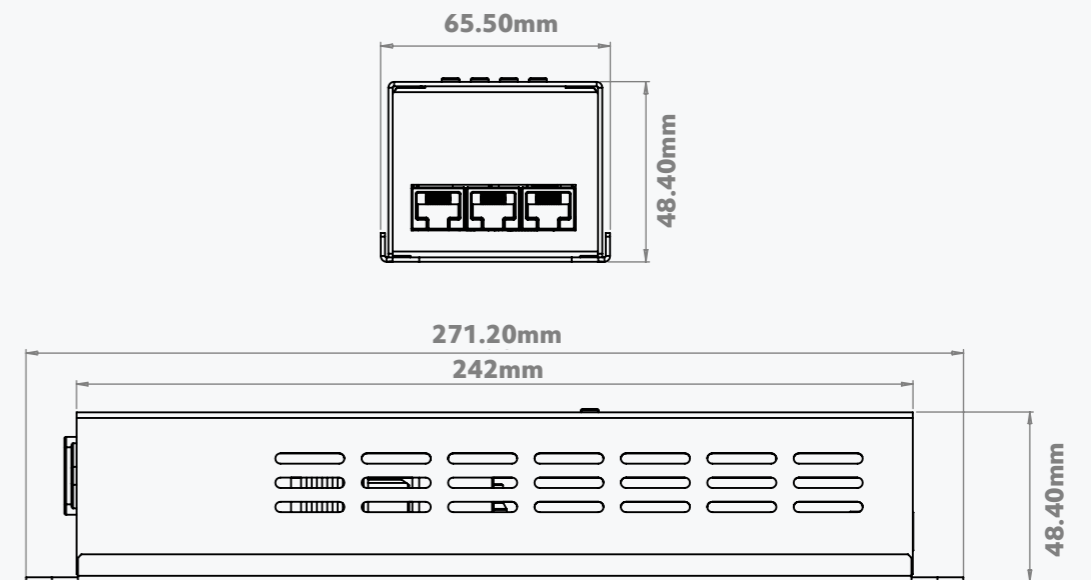
Driver technology doesn't come any more tested than the LUD48, with over 15 years in the field to back it up, this DMX driver will keep your 350mA LED lighting running... and running... and running.

Product Code: LUD48-D

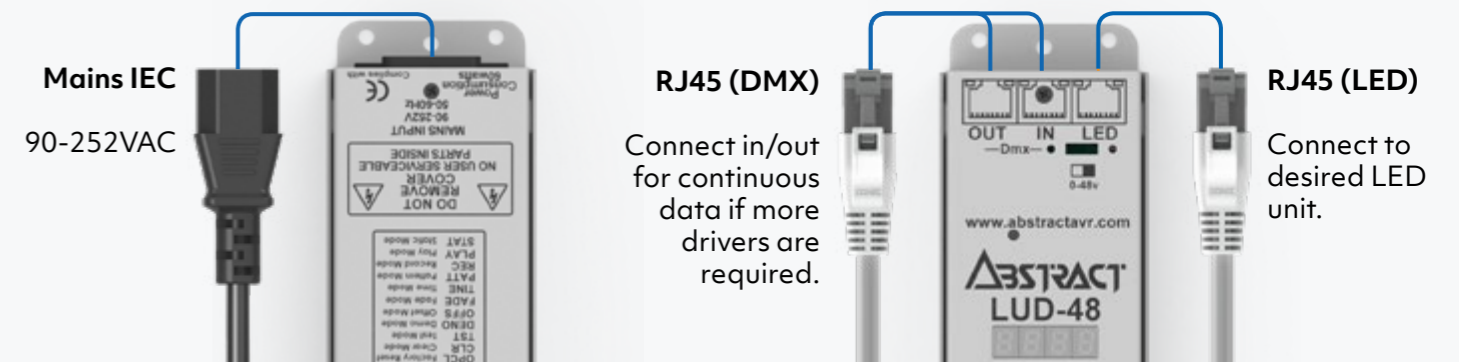
TECHNICAL SPECIFICATIONS

- Output Current **350mA**
- LED Outputs **1**
- Max Voltage **48V**
- Power Consumption **60W**
- Channels **1-4Ch (RGB[W])**
- Power Input Mains **100-240VAC**
- Data & LED Connections **RJ45**
- Operating Temp Range **-20° to 50 °C**

DIMENSIONS



CONNECTIONS





AVAILABLE COLOURS



LEDION ULTRA DRIVE 192

CC LED DMX DRIVER

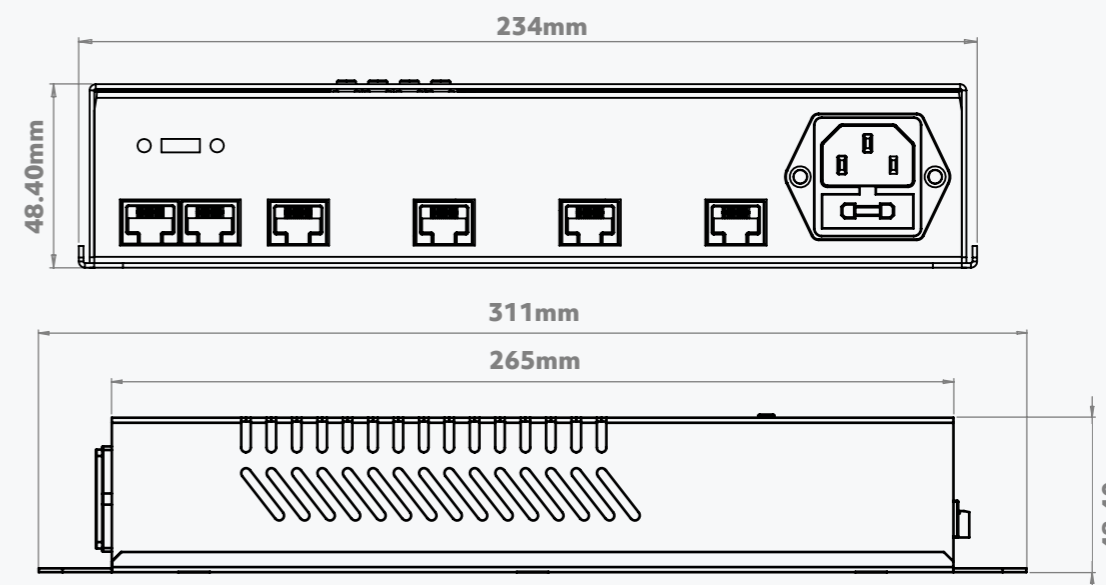
Utilising the proven technology of the ledion ultra 48, with over 15 years in the field to back it up, this DMX driver will safely power & control more of your 350mA LED from one driver unit.

Product Code: LUD192-D

TECHNICAL SPECIFICATIONS

- Output Current **350mA**
- LED Outputs **4**
- Max Voltage **48V**
- Power Consumption **240W**
- Channels **1-16Ch (RGB[W])**
- Power Input Mains **100-240VAC**
- Data & LED Connections **RJ45**
- Operating Temp Range **-20° to 50 °C**

DIMENSIONS



CONNECTIONS

