



AVAILABLE COLOURS



# PIXEL DRIVER 75

## PIXEL LED DMX DRIVER

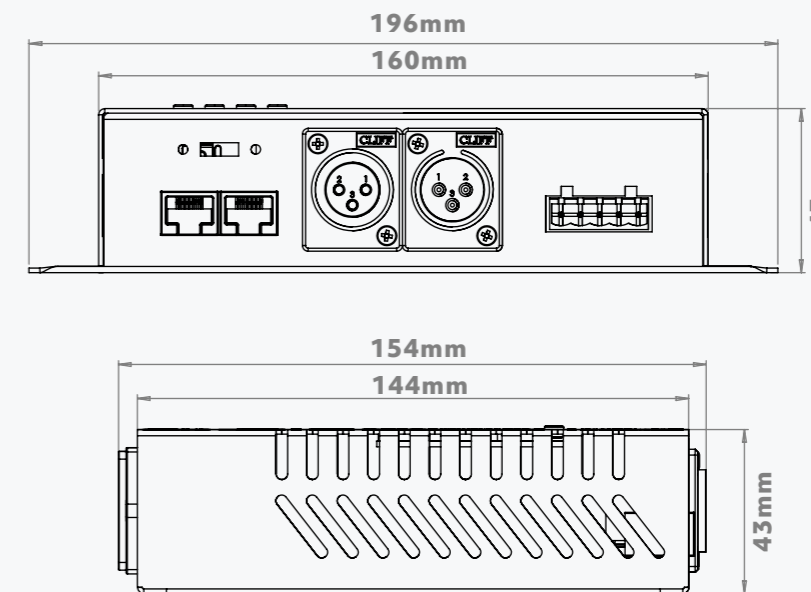
Incredible pixel output with just mains and DMX input, this compact driver makes pixel technology simple. Control up to 170 RGB or 128 RGBW individual pixels, or save your DMX channels by grouping pixels directly from the driver's on board display.

**Product Code: PXL-75- 5V / 12V / 24V**

### TECHNICAL SPECIFICATIONS

- Voltage **5V / 12V / 24V**
- LED Outputs **1**
- Output Current **5A**
- Power Consumption **75W**
- Tape Capability **Run Upto 150 Pixels**
- Power Input Mains **110-240VAC**
- Data Connections **3 Pin XLR / RJ45**
- LED Connection **5 Pin Phoenix Connector**
- Operating Temp Range **-20° to 50°C**

### DIMENSIONS



### CONNECTIONS

