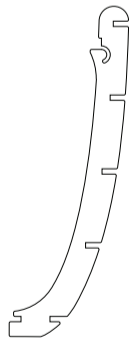
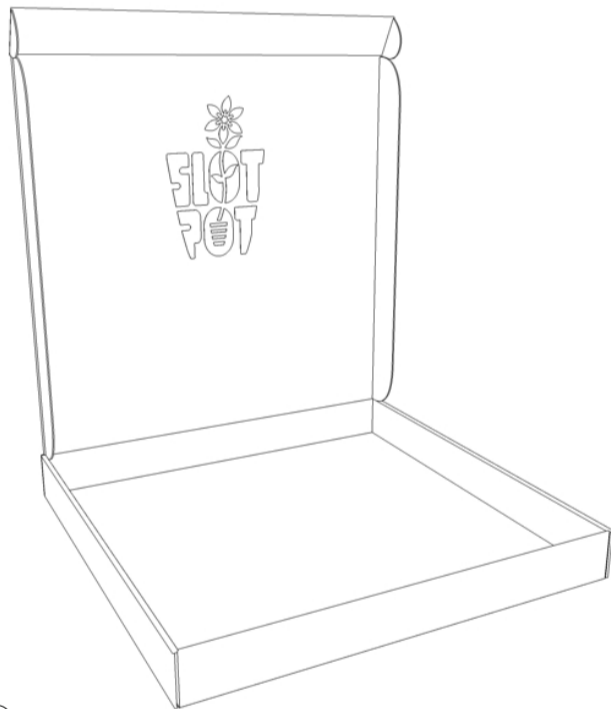
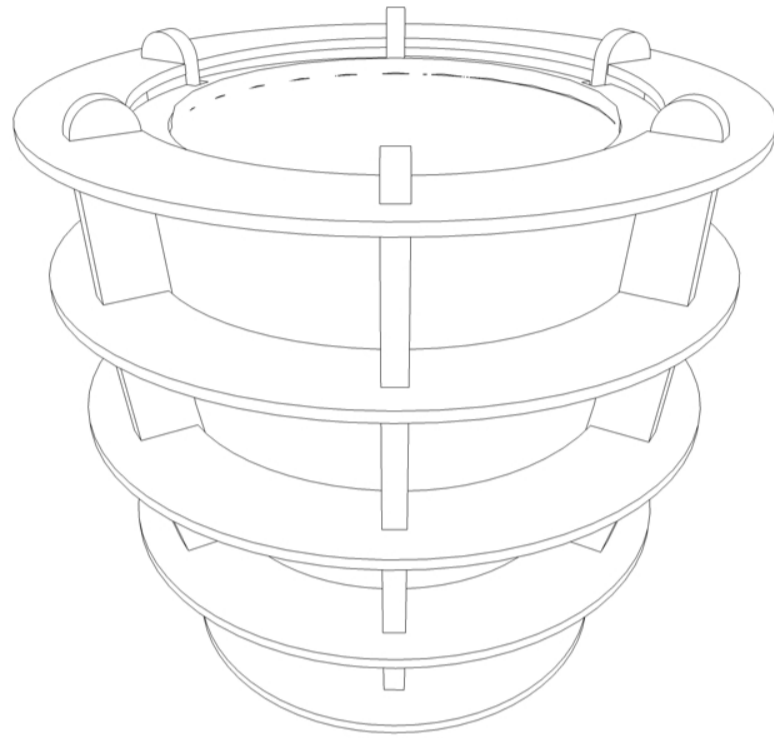
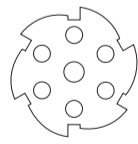




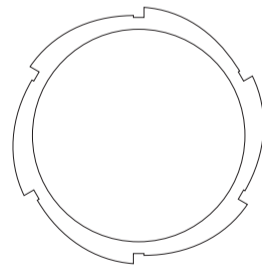
Standard - SlotPot



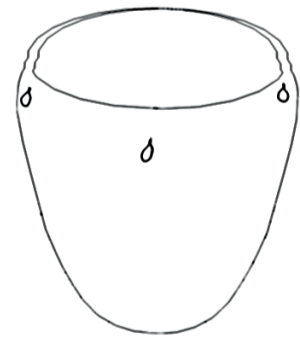
**x 6**



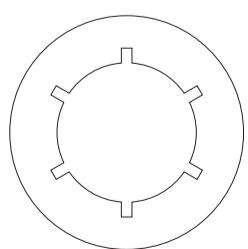
**x 1**



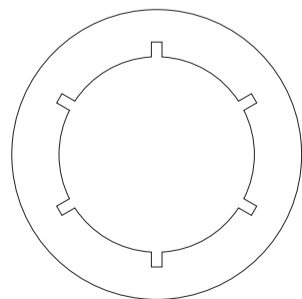
**x 1**



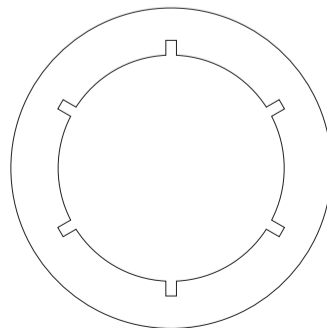
**x 1**



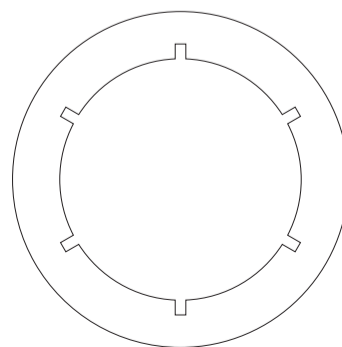
**x 1**



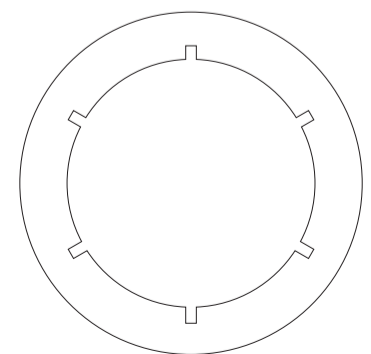
**x 1**



**x 1**

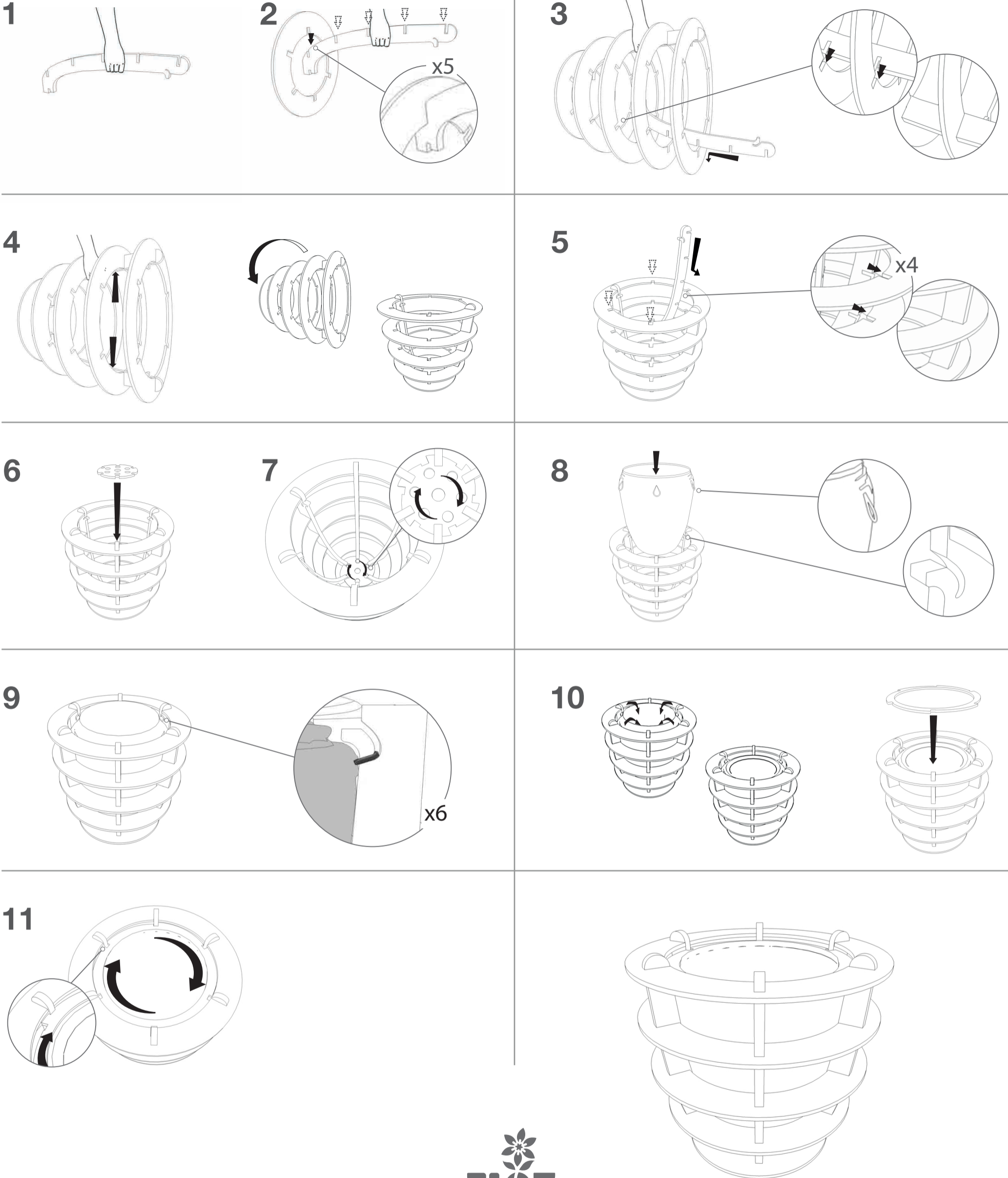


**x 1**



**x 1**

# Standard - SlotPot



[www.slotpot.co.uk](http://www.slotpot.co.uk)  
@slotpot

INT PATENT PENDING: PCT/EP2-13/063319

UK PATENT PENDING: 1212579.5