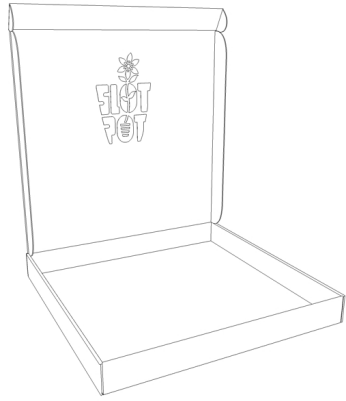


Standard - SlotPot



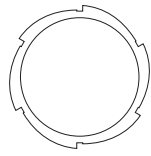
www.slotpot.co.uk
@slotpot



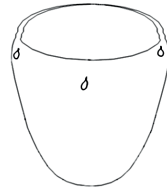
x 6



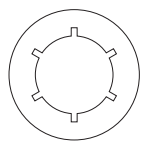
x 1



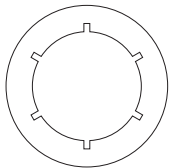
x 1



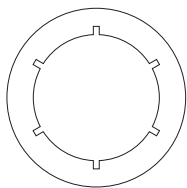
x 1



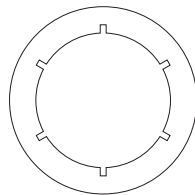
x 1



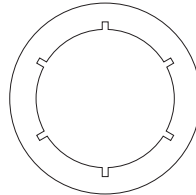
x 1



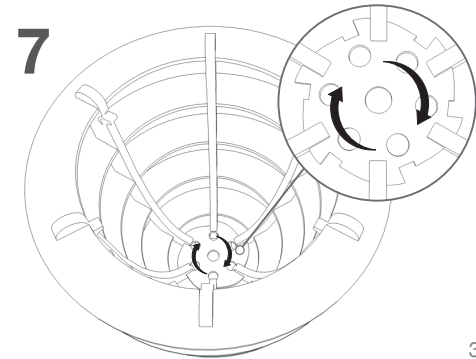
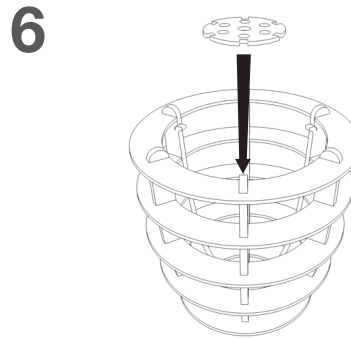
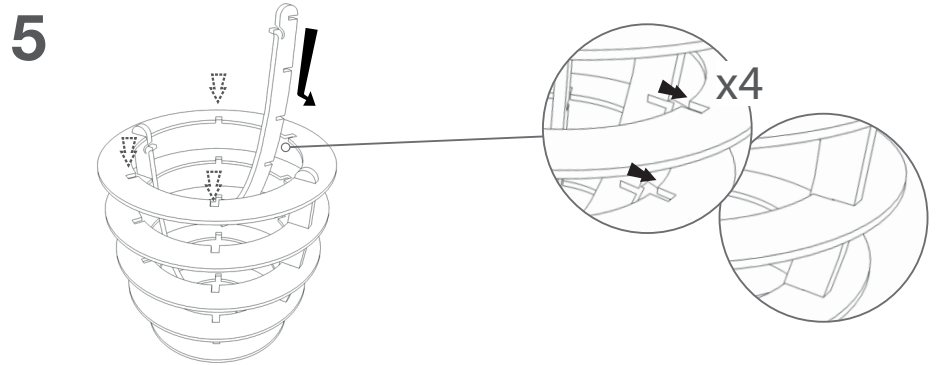
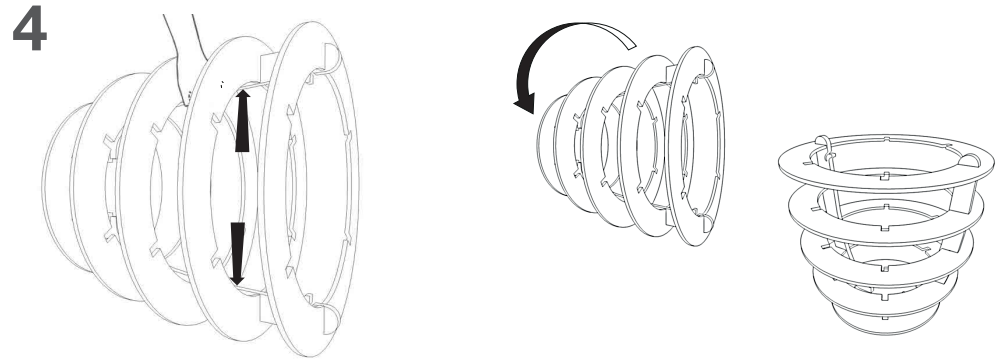
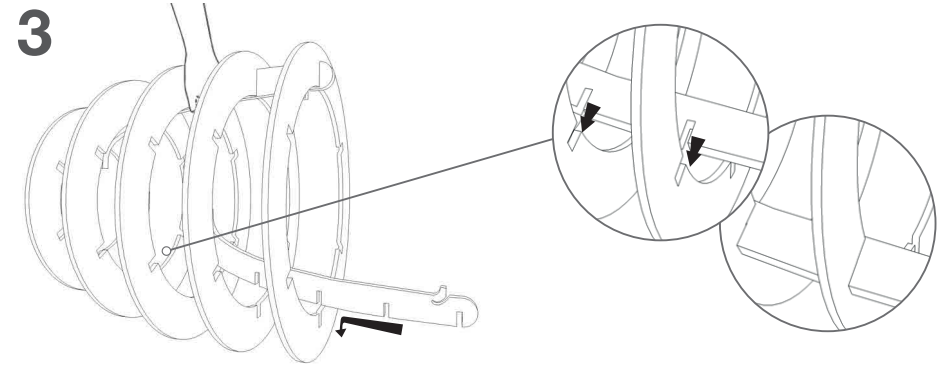
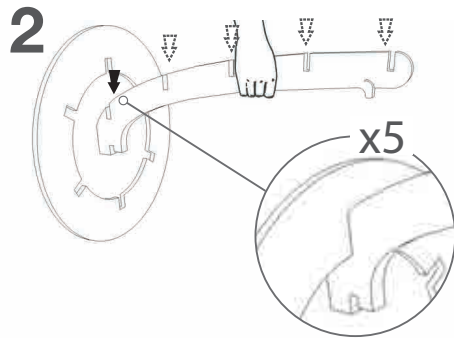
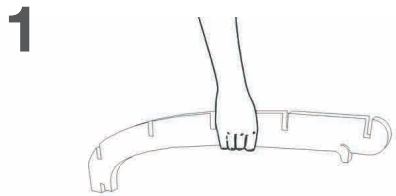
x 1

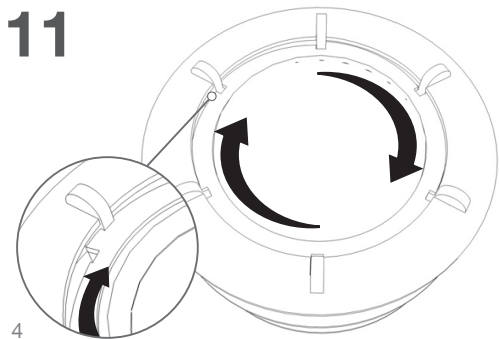
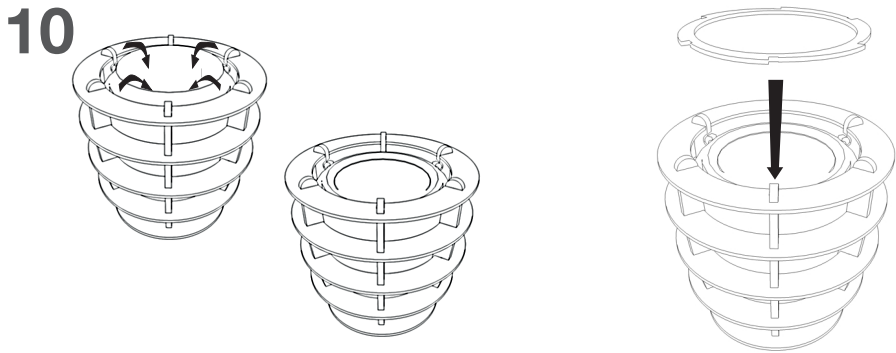
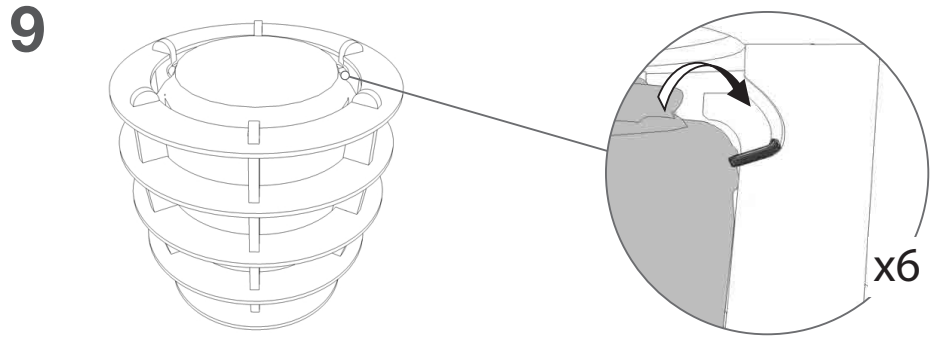
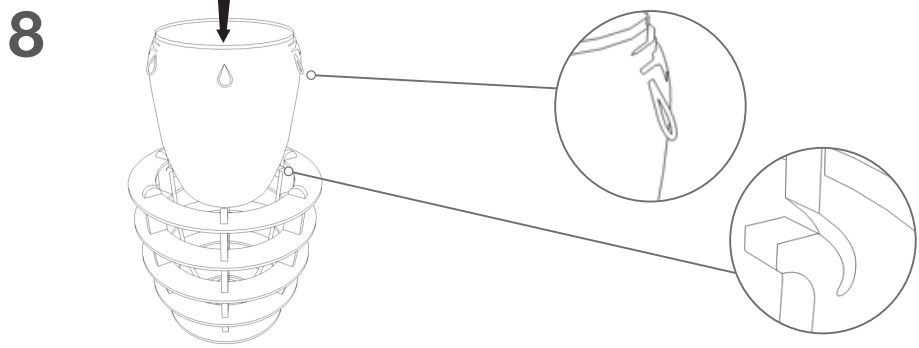


x 1



x 1

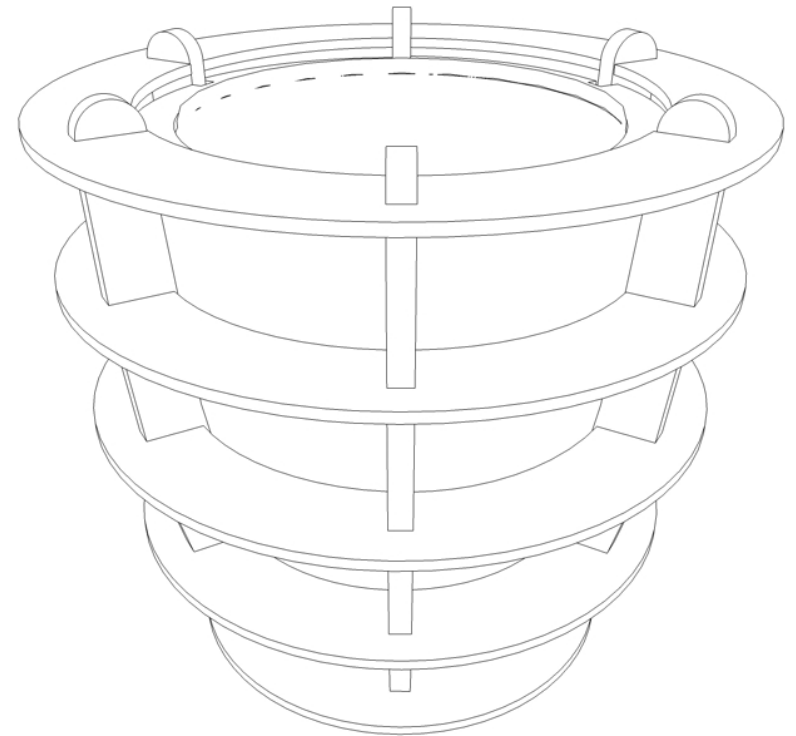




4



Standard - SlotPot



www.slotpot.co.uk
@slotpot

INT PATENT PENDING: PCT/EP2-13/063319
UK PATENT PENDING: 1212579.5

TM © 2016