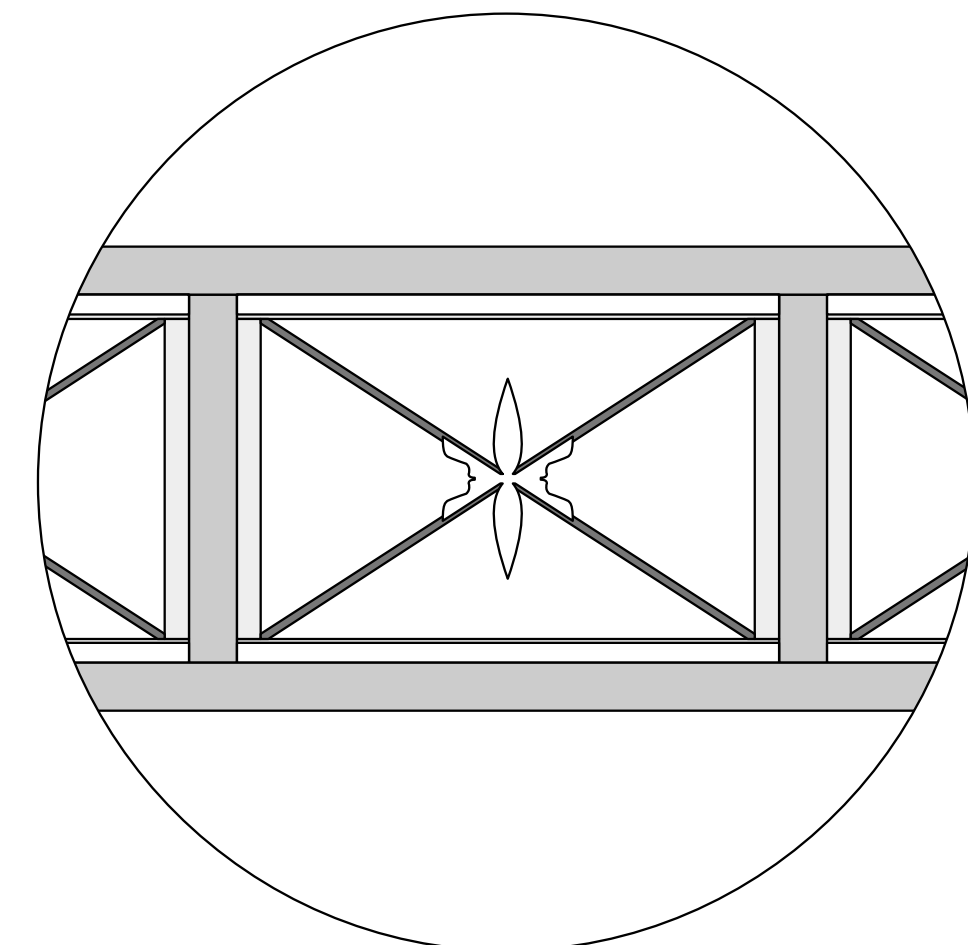


NOTES:
 1/2" dia rod to thrust needle roller bearing. (pin attaches to pivot frame)
 -Attach 1/8" flat stock reinforcement (1"x2")
 -Drill hole for 1/2" dia rod center top of door frame

NOTES:
 1/2" dia. rod to side mount roller bearing
 -Drill hole for 1/2" dia rod center bottom of door frame
 -Run 8" of rod through and attach.



Producing Organization		Arizona Repertory Theatre	
Production Title		CABARET	
Drawing Title		Pivot Frame	
Director	Danny Gurwin	Scale	3/4"=1'
Designer	M Erdman	Date Drafted	08/24/2015
Technical Director	Ruth Richardson	LAST REVISED	09/07/2015
Company	Tornabene Theatre	Revision #	.0
Drafted by	RJR	Sheet Name	Pivots
Design Layer	US Platform	Sheet Layer	Pivots
CAD Filename	Cabaret_TD.vwx	Page #	5

