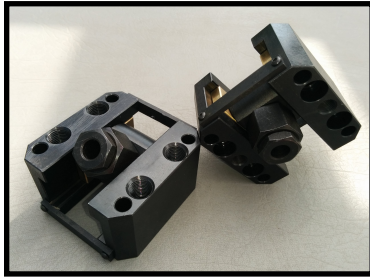




COMPONENT GUYS INC. ©

SLIDE LIFTER UNITS Adjustable



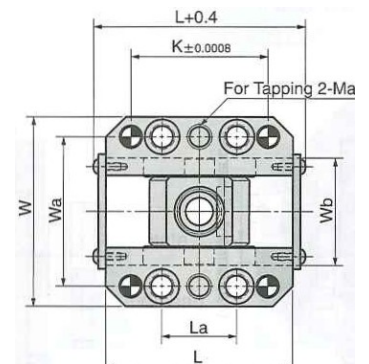
- Three sizes : 3/4" , 1" , 1-1/4"
- Other sizes available upon request
- Standard zero degree
- Available in increments of 1 Deg up to 10 deg as special order
- Solid bronze slide plate also available

*To order solid bronze use part number with suffix "NG". Example :UKOCUM075-0-NG

Slide Lifter Unit - UKOCUM

ITEM NUMBER	D	W	Wa	L	La	***K	Ma	Wb	d	d1	t
UKOCUM075	3/4	3.0	2.4	3.0	1.2	2.2	3/8	1.8	11/32	17/32	0.4
UKOCUM100	1"	3.2	2.5	3.4	1.5	2.5	3/8	1.9	11/32	17/32	0.4
UKOCUM125	1.25	3.5	2.8	4.0	2.0	3.0	3/8	2.2	11/32	17/32	0.4

ITEM NUMBER	h	M	***e	E	H	T	G	F	A	a	g	N1	N2
UKOCUM075	0.75	1/2	5/16	.35	1.8	1.2	1.0	1.8	1.55	0.63	0.5	25.4	20.6
UKOCUM100	0.75	1/2	5/16	.35	1.8	1.4	1.0	2.0	1.80	0.88	0.5	28.5	23.8
UKOCUM125	0.75	1/2	5/16	.35	2.2	1.5	1.0	2.4	2.00	1.125	0.6	31.7	26.9



***Including precision dowel holes

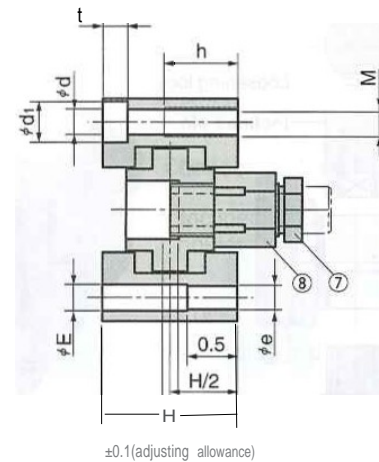
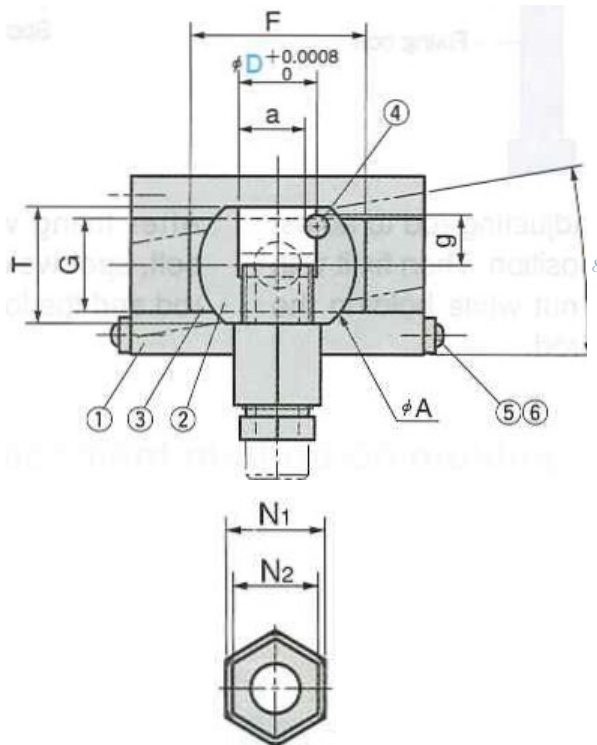


Table of Components

No.	Description	Qty	Material and Remark
①	Guide Rail	2	S45C (I C45 A 1045)
②	Inclined Pin Holder	1	S45C (I C45 A 1045)
③	Slide Plate	2	Bronze with Graphite
④	Loosening Lock	1	SK5M
⑤	Lock Plate	2	SS400 (A A36-89b, A283-88)
⑥	Round Head Screw	4	SCM435 (I 34CrMo4 A 4137)
⑦	Adjusting Rod	1	S45C (I C45 A 1045)
⑧	Lock Nut	1	S45C (I C45 A 1045)