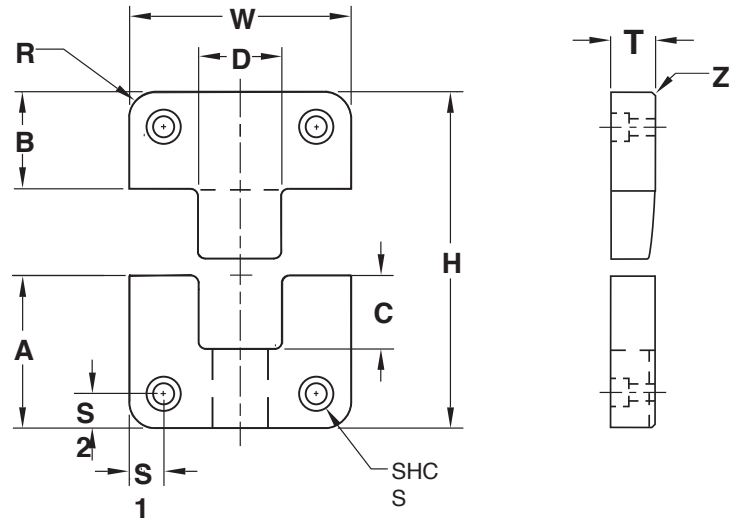




# Side Locks

COMPONENT GUYS INC.

**Coated**

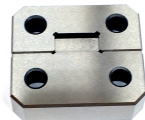
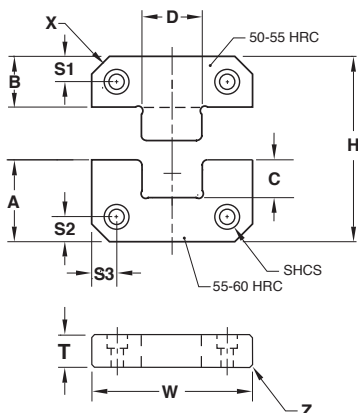


Inch

CATALOG NUMBER	T +.000 -.002	W +.0000 -.0004	A +.000 -.002	B +.000 -.002	C	D .0001/.0003 Clearance Per Side	H +.000 -.004	R Pocket Radius	S1/S2 ±.01	Z Chamfer	SHCS
SL37X100	.375	1.000	1.125	.875	.62	.500	2.000	.187	.250	.015	#10-32 x 1/2"
SL50X125	.490	1.250	1.125	.875	.68	.500	2.000	.187	.250	.03	#8-32 x 5/8"
SL50X150	.500	1.500	.875	.875	.56	.563	1.750	.187	.250	.03	#8-32 x 5/8"
SL50X200	.500	2.000	1.375	.875	.86	.750	2.250	.187	.312	.03	#10-32 x 5/8"
SL75X300	.750	3.000	1.875	.875	1.18	1.250	2.750	.250	.375	.03	1/4-20 x 3/4"
SL100X400	1.000	4.000	2.375	1.375	1.43	1.500	3.750	.500	.500	.03	3/8-16 x 1"
SL125X500	1.250	5.000	2.875	1.375	1.75	2.000	4.250	.500	.625	.03	1/2-13 x 1-1/4"
SL150X600	1.500	6.000	2.875	1.375	1.87	2.500	4.250	.500	.625	.03	1/2-13 x 1-1/2"

Metric

CATALOG NUMBER	T +.00 -.05	W +.00 -.01	A +.00 -.05	B +.00 -.05	C	D .002/.008 Clearance Per Side	H + 0.0 - 0.1	R Pocket Radius	S1 ±.25	S2 ±.25	Z Chamfer	SHCS
SLM16X50	16	50	21.5	21.5	13	17	43	5	8	11	.8	M6-1.0 x 18
SLM19X75	19	75	36	36	22.5	25	72	5	12.5	18	.8	M10-1.5 x 20
SLM19X100	19	100	45	45	30	35	90	5	15	22	.8	M10-1.5 x 20



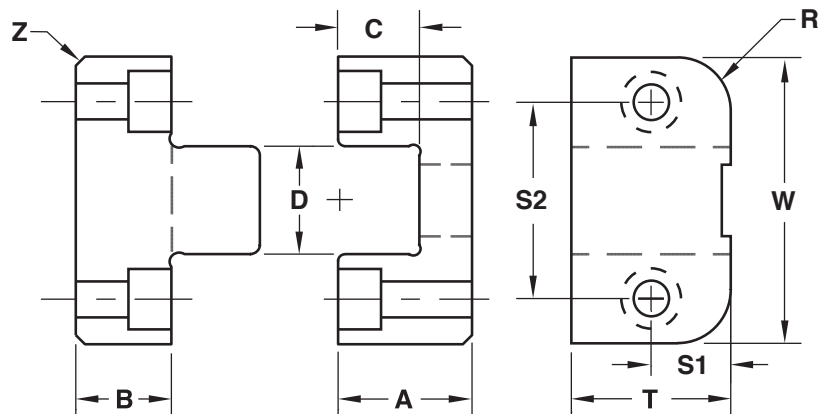
**Non Coated**

CATALOG NUMBER	T +.000 -.002	W +.0000 -.0004	A +.0000 -.0008	B +.0000 -.0008	C	D .0001/.0003 Clearance Per Side	H +.000 -.002	X Corner Chamfer	Z Chamfer	S1 ±.01	S2 ±.01	S3 ±.01	SHCS
STSL62X150	.620	1.500	.870	.870	.33	.500	1.74	.19	.02	.437	.281	.281	1/4-20 x 3/4"
STSL62X200	.620	2.000	.870	.870	.33	.680	1.74	.19	.04	.437	.375	.375	1/4-20 x 3/4"
STSL75X300	.745	3.000	1.370	1.360	.57	1.000	2.73	.38	.04	.688	.688	.375	3/8-16 x 1"
STSL75X400	.745	4.000	1.870	1.870	.79	1.375	3.74	.50	.04	.875	.875	.625	3/8-16 x 1"
STSL112X500	1.120	5.000	1.870	1.870	.79	1.750	3.74	.50	.04	.875	.875	.750	1/2-13 x 1-1/4"



# Top Locks

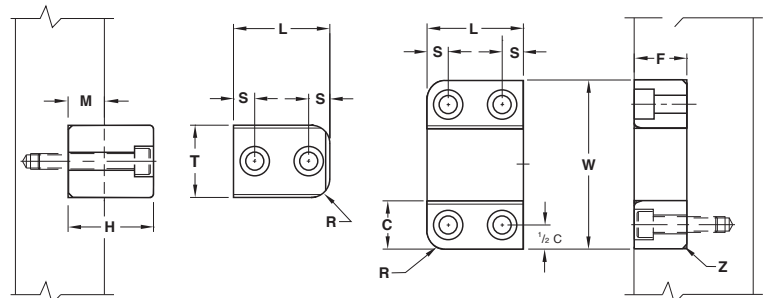
COMPONENT GUYS INC.



Inch Standard

CATALOG NUMBER	T +0.00 -0.02	W +0.000 -0.004	A +0.00 -0.02	B +0.00 -0.02	C	D .0001/.0003 Clearance Per Side	S1 ±.01	S2 ±.01	R Pocket Radius	Z Chamfer	SHCS
TL50X100	.500	1.000	.500	.375	.30	.375	.25	.688	.188	.03	M: #6-32 x 1/2" F: #6-32 x 5/8"
TL62X125	.625	1.250	.625	.500	.41	.438	.312	.875	.250	.03	M: #6-32 x 5/8" F: #6-32 x 3/4"
TL75X125	.750	1.250	.625	.500	.38	.438	.375	.875	.250	.04	M: #8-32 x 5/8" F: #8-32 x 3/4"
TL87X150	.875	1.500	.875	.750	.57	.500	.437	1.000	.250	.04	M: #8-32 x 7/8" F: #8-32 x 1"
TL100X150	1.000	1.500	.875	.375	.57	.500	.500	1.000	.250	.04	M: #10-32 x 1/2" F: #10-32 x 1"
TL100X200	1.000	2.000	1.125	.750	.75	.750	.500	1.375	.375	.04	M: #10-32 x 7/8" F: #10-32 x 1-1/8"
TL112X200	1.125	2.000	.875	.625	.50	.750	.563	1.375	.375	.04	M: 1/4-20 x 3/4" F: 1/4-20 x 1"
TL112X300	1.125	3.000	1.500	.750	.87	1.125	.563	2.250	.500	.04	M: 1/4-20 x 7/8" F: 1/4-20 x 1-5/8"
TL150X250	1.500	2.500	1.375	.625	.85	1.000	.750	1.750	.375	.04	M: 1/4-20 x 3/4" F: 1/4-20 x 1-1/2"
TL175X300	1.750	3.000	1.250	.875	.75	1.125	.875	2.250	.500	.06	M: 5/16-18 x 1" F: 5/16-18 x 1-1/4"
TL200X350	2.000	3.500	1.750	.750	1.07	1.500	1.000	2.500	.500	.06	M: 3/8-16 x 7/8" F: 3/8-16 x 2"

# Guide Locks



Inch Standard

CATALOG NUMBER	L +0.00 -0.01	W +0.003 +0.006	C +0.000 -0.003	F +0.00 -0.05	T +0.000 -0.003	M	H +0.00 -0.01	S ±.01	R Pocket Radius	Z Chamfer	SHCS
GL100X150	1.000	1.500	.500	.500	.500	.375	.85	.25	.187	.03	M: #10-32 x 1" F: #10-32 x 5/8"
GL150X250	1.500	2.500	.750	.750	1.000	.625	1.35	.31	.250	.06	M: 1/4-20 x 1-1/2" F: 1/4-20 x 7/8"
GL200X350	2.000	3.500	1.000	1.000	1.500	.750	1.73	.44	.375	.06	M: 3/8-16 x 2" F: 3/8-16 x 1-1/4"
GL250X450	2.500	4.500	1.250	1.250	2.000	.875	2.11	.56	.500	.09	M: 1/2-13 x 2-1/4" F: 1/2-13 x 1-1/2"