

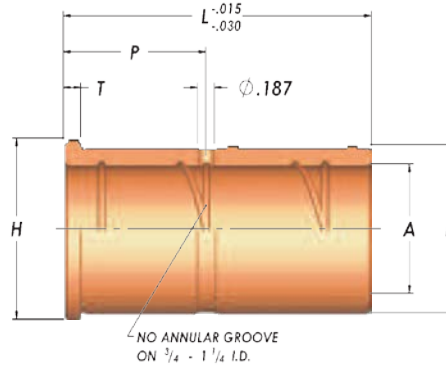


Shoulder Bushings

Solid Bronze

COMPONENT GUYS INC.

| General Dimensions and Tolerances | | | | |
|-----------------------------------|-----------------------|-----------------------|---------------------|---------------------|
| Nominal I.D. | A +.0005 -.0000 | B +.0005 -.0000 | H +.000 -.005 | T +.000 -.005 |
| 3/4 | 0.7505 | 1.1255 | 1.302 | 3/16 |
| 7/8 | 0.8755 | 1.2505 | 1.427 | 3/16 |
| 1" | 1.0005 | 1.3755 | 1.552 | 3/16 |
| 1-1/4 | 1.2505 | 1.6255 | 1.802 | 3/16 |
| 1-1/2 | 1.5005 | 2.0005 | 2.177 | 3/16 |
| 2" | 2.0005 | 2.5005 | 2.677 | 3/16 |
| 2-1/2 | 2.5005 | 3.2505 | 3.427 | 3/16 |
| 3" | 3.0005 | 3.7505 | 3.990 | 1/2 |



| L | CATALOG NUMBER | | | | L |
|-------|----------------|--------|--------|----------|-------|
| | A=3/4" | A=7/8" | A=1" | A=1-1/4" | |
| 7/8 | 2700SB | 2710SB | 2730SB | 2750SB | 7/8 |
| 1-3/8 | 2701SB | 2711SB | 2731SB | 2751SB | 1-3/8 |
| 1-7/8 | 2702SB | 2712SB | 2732SB | 2752SB | 1-7/8 |
| 2-3/8 | 2703SB | 2713SB | 2733SB | 2753SB | 2-3/8 |
| 2-7/8 | 2704SB | 2714SB | 2734SB | 2754SB | 2-7/8 |
| 3-3/8 | 2705SB | 2715SB | 2735SB | 2755SB | 3-3/8 |
| 3-7/8 | 2706SB | 2716SB | 2736SB | 2756SB | 3-7/8 |
| 4-3/8 | 2707SB | 2717SB | 2737SB | 2757SB | 4-3/8 |
| 4-7/8 | 2708SB | 2718SB | 2738SB | 2758SB | 4-7/8 |
| 5-7/8 | 2709SB | 2720SB | 2740SB | 2760SB | 5-7/8 |
| 7-7/8 | | | | | 7-7/8 |

| L | CATALOG NUMBER | | | | L |
|-------|----------------|--------|----------|--------|-------|
| | A=1-1/2" | A=2" | A=2-1/2" | A=3" | |
| 7/8 | 2770SB | | | | 7/8 |
| 1-3/8 | 2771SB | 2901SB | 2951SB | | 1-3/8 |
| 1-7/8 | 2772SB | 2902SB | 2952SB | | 1-7/8 |
| 2-3/8 | 2773SB | 2903SB | 2953SB | | 2-3/8 |
| 2-7/8 | 2774SB | 2904SB | 2954SB | | 2-7/8 |
| 3-3/8 | 2775SB | 2905SB | 2955SB | | 3-3/8 |
| 3-7/8 | 2776SB | 2906SB | 2956SB | 3976SB | 3-7/8 |
| 4-3/8 | 2777SB | 2907SB | 2957SB | | 4-3/8 |
| 4-7/8 | 2778SB | 2908SB | 2958SB | 3978SB | 4-7/8 |
| 5-7/8 | 2780SB | 2910SB | 2960SB | 3980SB | 5-7/8 |
| 7-7/8 | | | | 3984SB | 7-7/8 |