

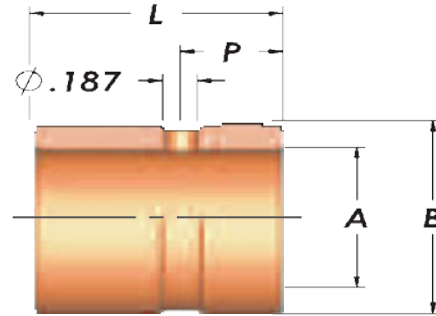


# Straight Bushings

## Solid Bronze

COMPONENT GUYS INC.

General Dimensions and Tolerances		
Nominal I.D.	A +.0005 -.0000	B +.0005 -.0000
3/4	0.7505	1.1255
7/8	0.8755	1.2505
1"	1.0005	1.3755
1-1/4	1.2505	1.6255
1-1/2	1.5005	2.0005
2"	2.0005	2.5005
2-1/2	2.5005	3.2505
3"	3.0005	3.7505



\* No grease groove or hole on 7/8 long bushings.

P	CATALOG NUMBER				L -.015 -.030
	A=3/4"	A=7/8"	A=1"	A=1-1/4"	
*	2500SB				7/8
0.56	2501SB	2502SB		2504SB	1-3/8
0.56			2503SB	2505SB	1-7/8

P	CATALOG NUMBER				L -.015 -.030
	A=1-1/2"	A=2"	A=2-1/2"	A=3"	
*					7/8
0.56	2506SB				1-3/8
0.56	2507SB				1-7/8
1.56		2508SB			3-7/8
1.56			2509SB	2510SB	4-7/8