



# Knockout Extensions Round Series

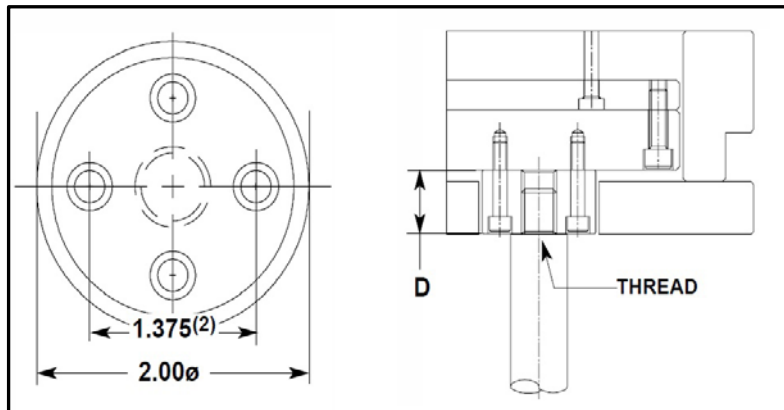
**COMPONENT GUYS INC.**

- Increases ejection stroke for knockout rod

**Other styles also available**



**Material : 12L14: Black oxidized**



CATALOG NO.	D OVERALL	THREAD SIZE
KR37-10	1.052	3/8-16
KR37-15	1.552	3/8-16
KR50-10	1.052	1/2-13
KR50-15	1.552	1/2-13
KR62-10	1.052	5/8-11
KR62-15	1.552	5/8-11
KR75-10	1.052	3/4-10
KR75-15	1.552	3/4-10
KR75-10NT	1.052	No Female Thread
KR75-15NT	1.552	No Female Thread

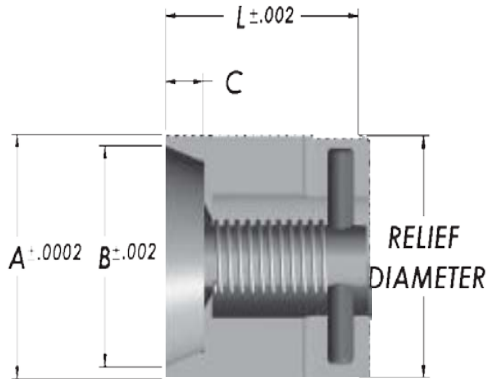


# Air Ejectors

COMPONENT GUYS INC.

## Inch Sizes

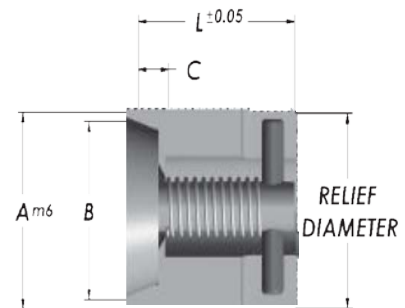
Designed to assist in breaking the vacuum created when molding deep molded parts or thin walled parts.  
Made from 420 Stainless steel 50-55 Rc



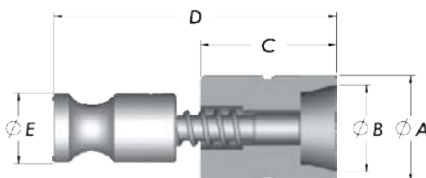
Cat No.	Nominal O.D.	A	B	L	C
AE025	1/4	0.2505	0.225	0.252	0.05
AE037	3/8	0.3755	0.325	0.377	0.07
AE050	1/2	0.5005	0.437	0.502	0.1
AE062	5/8	0.63	0.562	0.627	0.13
AE075	3/4	0.75	0.656	0.752	0.15
AE100	1"	1.00	0.875	1.002	0.2
AE150	1-1/2	1.50	1.312	1.502	0.3

## Metric Sizes

Cat No.	Nominal O.D.	A	B	L	C
AE08MM	8	0.3149	6.5	12	1,5
AE10MM	10	0.3937	8	12	2,0
AE12MM	12	0.4724	10	12	2,5
AE16MM	16.00	0.6299	13	20	3
AE20MM	20.00	0.7874	17	20	3,5



## Metric Sizes - Plunger Type



Cat No.	A	B	C	D	E
VA-01	8 $\begin{matrix} +0,018 \\ +0,007 \end{matrix}$	6,6	11	24	6
VA-02	12 $\begin{matrix} +0,018 \\ +0,007 \end{matrix}$	9,7	18	34	8
VA-03	18 $\begin{matrix} +0,018 \\ +0,007 \end{matrix}$	14,8	22	45,5	12