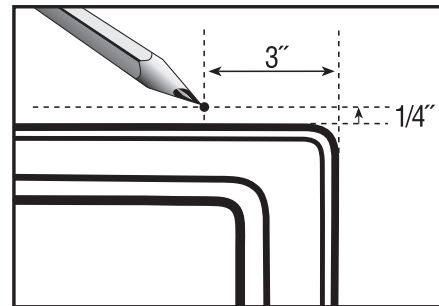
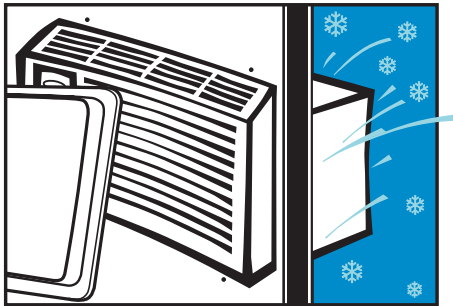


INSTALLATION INSTRUCTIONS

1. Center air conditioning cover over air conditioner.
2. Mark 1/4" out from edge of cover lip 3" from each end of cover both top and bottom. See illustration below.
3. Drill slightly smaller hole than screw when on wood frame, or slightly smaller than the plastic anchor when attaching directly to sheetrock walls.
4. Screw in the 4 turn clips provided. Do not over tighten.
5. Put cover on and turn each clip to hold cover snug to wall or frame.



Chill STOP'R® is unconditionally **guaranteed** to stop all cold drafts, dirt and allergens that blow through idle room air conditioners. The Chill STOP'R® is a durable cover that provides economical protection for your home or office. Each cover incorporates the advantages of being lightweight, mildew resistant and totally weatherproof, in a package that is **easy to install, easy to clean and maintain, and easy to remove and store.**



MANUFACTURED BY:
MIDSTATE PLASTICS CORPORATION
Spruce Street Box 230
Remer, MN 56672

1-800-331-7906

218-566-2663

Fax 218-566-1322



Made in the USA