

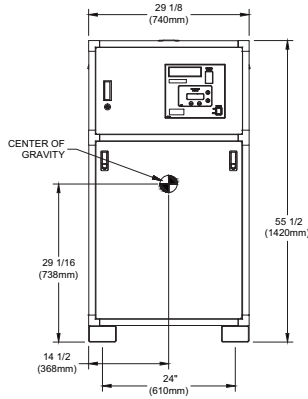
CODE OPTIONS

CSD-1	Manual Reset LWCO
Kentucky	200°F Maximum Operating Control and High Limit

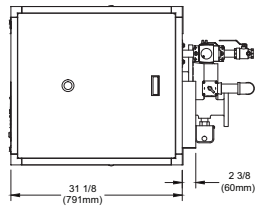
NOTE: Dimensions are approximate and should not be used to "rough-in" equipment.

* Add circulator amps.
 ** For incoming gas pressures lower than 2" W.C. natural or propane, consult factory.

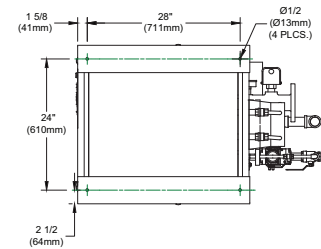
INDOOR UNIT



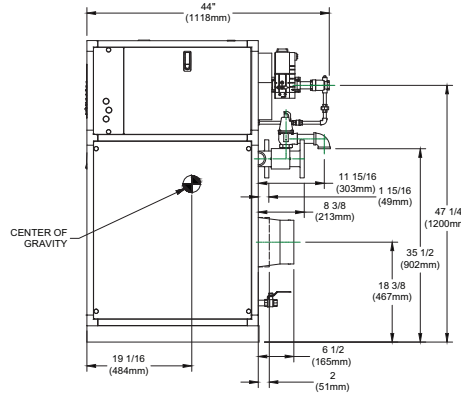
FRONT VIEW



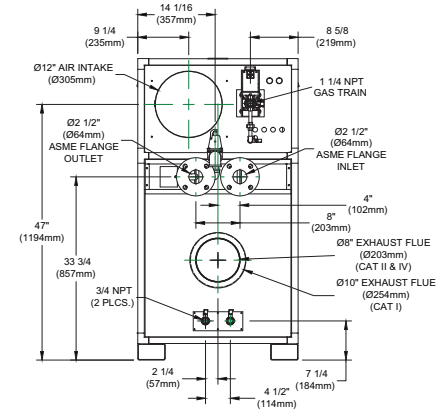
TOP VIEW



BOTTOM VIEW



SIDE VIEW



BACK VIEW

RSUB-58-K

A.G.A. CERTIFIED RATINGS & CAPACITIES

Fuel Type	Natural/Propane Gas	Boiler FLA	11.3*
Input BTU/hr.	1,250,000 / 366 kW	Min. Gas Pressure Required	2" W.C.**
Output BTU/hr.	1,066,250 / 313 kW	Max. Gas Pressure Allowed	14" W.C.
Electrical Requirements	(L1,NEU,GND) 120VAC/ 1 ph/ 60 hz	Operating Weight	748 lbs. / 340 kg.

TEMPERATURE RISE / PRESSURE DROP

20° F / 11.1° C		25° F / 13.9° C		30° F / 16.7° C		35° F / 19.4° C									
Flow Rate	Pressure Drop	Flow Rate	Pressure Drop	Flow Rate	Pressure Drop	Flow Rate	Pressure Drop								
GPM	L/s	Ft	kPa	GPM	L/s	Ft	kPa	GPM	L/s	Ft	kPa				
108.8	6.9	2.21	6.5	87.0	5.5	1.46	4.3	72.5	4.6	1.04	3.1	62.1	3.9	.78	2.3

BOILER TRIM & CONTROLS

Main Gas Valve	Dungs MBC-SE	Air Switch	Cleveland NS2
Firing Valve	1 1/4"	Blower Motor	Fasco 1 hp - FLA 2.1
Ignition Control	Honeywell RM7895C	Relief Valve - MW	3/4" x 3/4" set @ 125 psi
Operating Control	HeatNet™	Relief Valve - MB	3/4" x 1" set @ 50 psi
High Limit	Jumo	Flow Switch	TACO
Main Ball Valve	1 1/4"	Solenoid Valve w/ Reg	CV100

A.S.M.E.

ASME Sect IV Htg Surface	133.76 Sq. Ft. / 12.43 Sq. M.	Design Data	Max. 160 psig & 250° F
Water Volume	4.7 gal / 17.79 (liters)		

RECOVERY CAPACITY

40°F	22° C	60°F	33° C	80°F	44° C	100°F	56° C	120°F	67° C	140°F	78° C
3200	12113	2133	8076	1600	6057	1280	4845	1067	4038	914	3461

REP FIRM _____

SUBMITTED BY _____

JOB NAME _____

ARCHITECT _____

ENGINEER _____

CONTRACTOR _____

DATE _____

FUTERA III 1250

Category I, II or IV Appliance
 (see Installation and Operation Manual for venting information)

RBI A Division of Mestek, Inc.
 Westfield, MA 01085
 (413) 568-9571