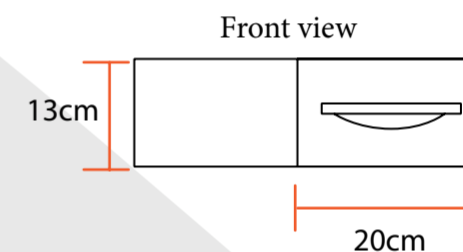
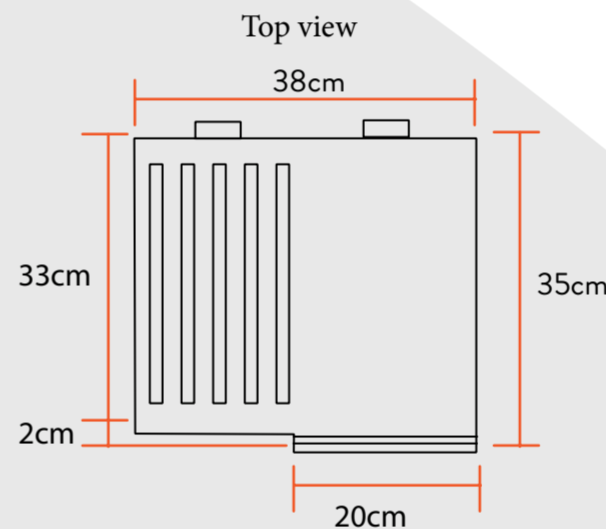
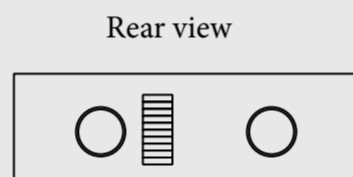




INTEGRA

V
A
C



POWER	1100
AIR FLOW (M ³)	170
WATER LIFT (MM/H ₂ O)	2600
AIRWATTS	450
DUSTBAG CAPACITY (L)	4
WEIGHT (KG)	8
NOISE LEVEL (DB)	≤ 60
HIGH-SPEED THRU-FLOW MOTOR	

TECHNICAL DETAILS

RECOMMENDATIONS FOR INSTALLATIONS

MAXIMUM HOME SIZE IN M ²	≤ 250
MAXIMUM DISTANCE FROM THE MOST DISTANT VALVE (L.M.)	30
MAXIMUM NUMBER OF INLET VALVES	5

