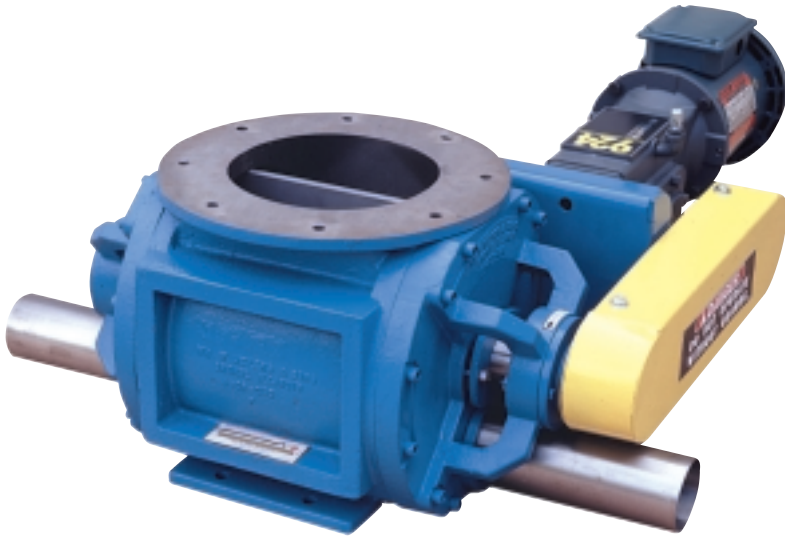




# ROTARY AIRLOCK FEEDERS



ROUND FLANGE BLOW-THRU

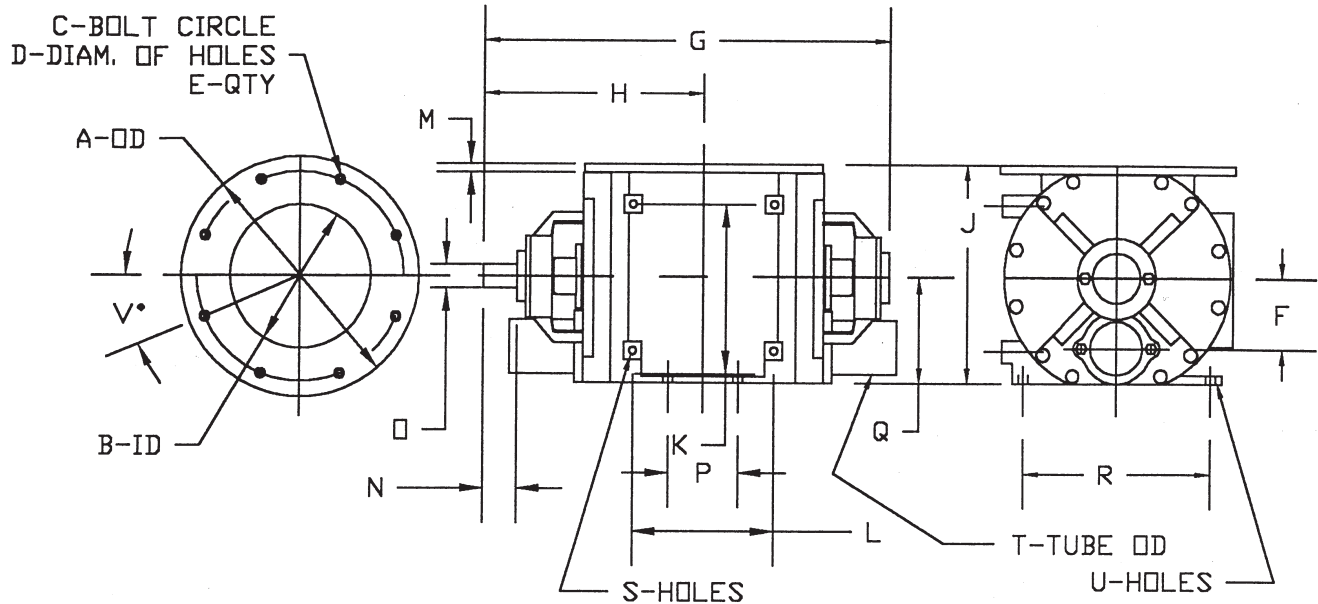
## BLOW-THRU FEEDERS FOR PNEUMATIC CONVEYING

### FEATURES:

- Low profile
- Larger capacity than competition
- 20 PSI pressure differentials
- Integral mounting feet
- Retrofit competitive units

### INDUSTRIES WHERE USED

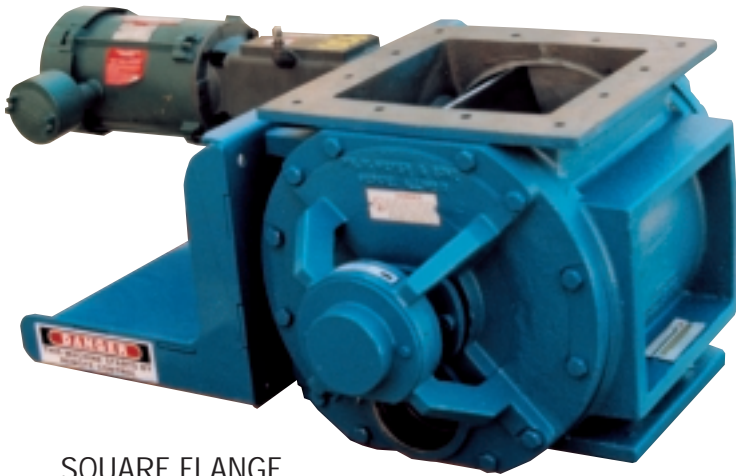
- Food
- Grain
- Chemical
- Milling
- Baking
- Plastic
- Pharmaceutical



Dimensions (In Inches)  
ROUND FLANGE BLOW-THRU FEEDERS

SIZE	CFR.	LINE*	A	B	C	D	E	F	G	H	J	K	L	M	N	O	P	Q	R	S	T	U	DEG V
11x10	.47	3"	13.50	8.00	11.75	1/2-13	8	3.875	23.03	12.47	12.250	8.13	8.00	0.50	1.91	1.250	4.00	5.875	10.75	1/2-13	3.00	0.56	22.5
13x12	.80	4"	16.00	10.00	14.25	5/8-11	12	4.375	28.16	15.13	14.500	10.50	9.75	0.50	2.09	1.500	5.00	7.000	14.00	1/2-13	4.00	0.56	15
16x15	1.51	5"	CF	CF	CF	CF	CF	CF	CF	CF	17.63	CF	CF	0.50	CF	1.750	CF	8.000	CF	CF	5.00	CF	CF

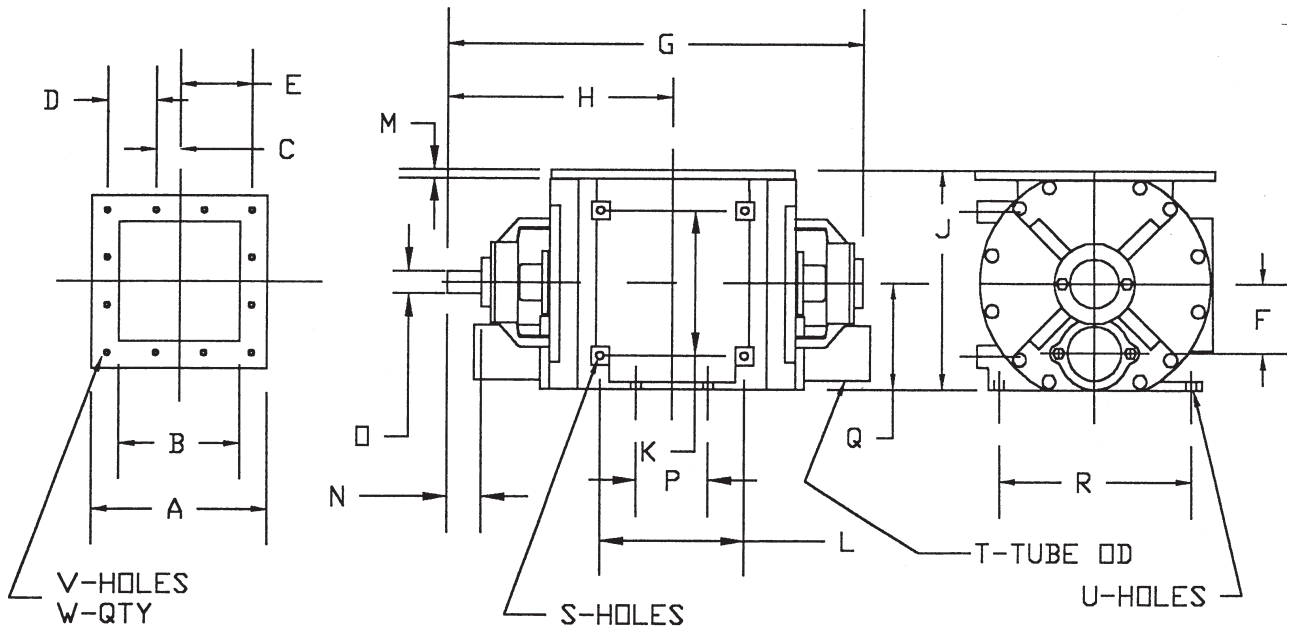
\* ID Port Size CF = Consult Factory



SQUARE FLANGE  
BLOW-THRU

**CONSTRUCTION:**

- Cast iron housing, round and square flange, stainless steel construction optional
- Mild steel 8-vane open end rotor
- Outboard bearings
- Replaceable shaft seals
- Largest shaft diameters



**Dimensions** (In Inches)

**SQUARE FLANGE BLOW-THRU FEEDERS**

SIZE	CFR.	LINE*	A	B	C	D	E	F	G	H	J	K	L	M	N	O	P	Q	R	S	T	U	V	W
11x10	.47	3"	11.00	8.00	2.5	—	4.88	3.875	23.03	12.47	12.250	8.13	8.00	0.50	1.91	1.250	4.00	5.875	10.75	1/2-13	3.00	0.56	1/2-13	8
13x12	.80	4"	14.50	10.00	2	4	6	4.375	28.16	15.13	14.500	10.50	9.75	0.50	2.09	1.500	5.00	7.000	14.00	1/2-13	4.00	0.56	1/2-13	12
16x15	1.51	5"	CF	CF	CF	CF	CF	CF	CF	CF	CF	CF	CF	CF	CF	CF	CF	CF	CF	CF	CF	CF	CF	CF

\* ID Port Size CF = Consult Factory



**Wm W. Meyer & Sons, Inc.**

8261 Elmwood Ave. P.O. Box 105  
 Skokie, Illinois 60077  
 Phones: 847-673-0312 • FAX: 847-673-5564  
 E-mail: [wmsales@theramp.net](mailto:wmsales@theramp.net)  
 website: <http://www.wmmeyer.com>

YOUR LOCAL REPRESENTATIVE