



BUCKET ELEVATOR or LOWERATOR OVERLAPPING BUCKET CONVEYOR

'X' SERIES

(SANITARY TUBULAR
FRAME CONSTRUCTION)

IMPERIAL DIMENSIONS

Used For

Candy
Cereals
Chemicals
Coffee
Confectionery
Detergents
Dry Food
Fertilizer
Flour
Hardware
Insecticides
Metal Scraps & Chips
Pasta/Macaroni
Pet Food
Pharmaceutical
Plastic Granules
Potato Chips
Powders
Rice
Seed
Shelled Nuts
Small Machine Parts
Snacks
Soaps
Toys
Vegetables

Other Dry or
Semi-Dry Products

DESCRIPTION

The bucket Elevator/Lowerator unit is an engineered and ruggedly manufactured conveying system for continuous and quiet operation. The overlapping bucket elevator is versatile in material handling, simple to operate and capable of automating your complex processing needs, saving floor space and unnecessary pit requirements.

The unit construction is of a sanitary tubular type with modular sections, making it possible for re-arrangement in extension or contraction of the vertical and horizontal runs for initial installation as well as future expansion

APPLICATION

The Bucket Elevator/Lowerator is designed to gently transport a variety of free flow bulk materials in dry, semi-dry and moist conditions. The unit is extremely adaptable to deliver product to multi locations from single or multi source of supply through its variety of discharge locations and stations.

TUBULAR FRAME CONSTRUCTION
with Sani-Plas (Polypropylene) Buckets

(shown)

DESIGN, ENGINEERING & ASSOCIATED MANUFACTURING COMPANY

6520 East Washington Blvd., City of Commerce, CA 90040-1822

Toll free (800) 933-2620 or (888) 933-2620 • Phone (323) 890-1190 • Fax (323) 890-1139 • www.deamco.com • email: deamco@deamco.com

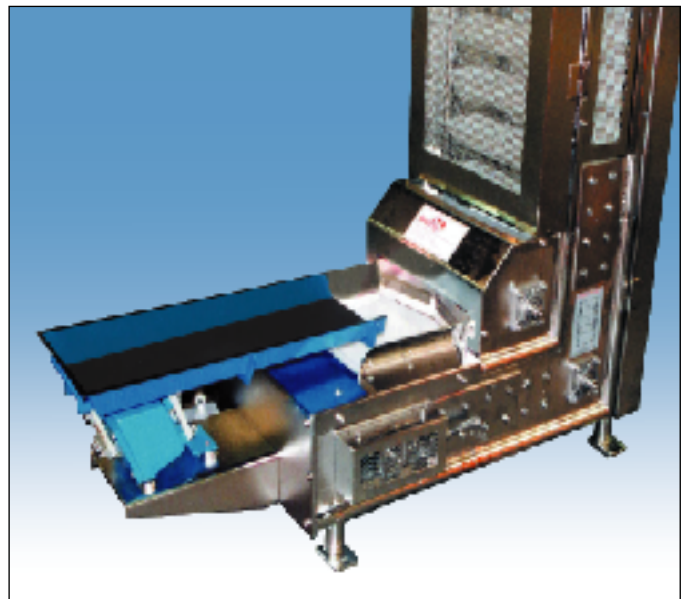
**BUCKET ELEVATORS / LOWERATORS
SPECIFICATIONS AND DIMENSIONS FOR
TUBULAR FRAME OF 'X' SERIES**

ADVANTAGES - FEATURES

Frame	Sanitary tubular frame construction meets USDA, FDA and other governmental standards. The construction lends itself to visual inspection, safety in operation, maintenance and easy access for cleaning.
Bearings	Sealed, lubricated, self aligning ball bearings.
Buckets	Standard and customized one piece buckets for every application. Heavy-duty one piece bucket available in: <ul style="list-style-type: none"> • 'Sani-Plas' (Polypropylene) FDA approved • Stainless (sanitary finish) • Carbon steel • Cast aluminum alloy • For customized bucket requirements, contact factory.
Sprockets	At all turns to reduce wear and tear on tracks and chains.
Carrier Chains	Special heavy duty designed chains (Available from a variety of materials and combinations.) Heavy-duty double pitch with oversize hardened rollers and prelubed bushings. Large rollers roll on tracks reducing friction, wear and power requirements. Chains available in: <ul style="list-style-type: none"> • Carbon steel with Delrin roller • Carbon steel with Carbon steel rollers • Stainless steel chain with Delrin roller • Stainless steel with stainless steel roller • For customized chain combinations, contact factory.
Guides	Suitable guides fabricated out of steel as well as other plastic materials to eliminate noise, wear and tear.
Motor & Drive	Gear head motor (right angle or straight); head or side mounted.
Safety Clutch	Adjustable torque limiter on drive shaft for adjustment of load and protection against jamming by foreign or internal malfunction.
Supports	Tubing, sanitary construction.
Covers	Suitable safety cover.
Installation	Units are factory assembled and tested prior to shipment. Larger units are disassembled and shipped in knock-down (KD) form due to shipping restrictions.



**MODEL BES-18P-T-X
WITH 8'-0" ASCENDING AND DESCENDING COVERS**



**MODEL BES-12-T-X-SS
(STAINLESS STEEL) WITH ELECTRO-MAGNETIC FEEDER**

DESIGN, ENGINEERING & ASSOCIATED MANUFACTURING COMPANY

6520 East Washington Blvd., City of Commerce, CA 90040-1822

Toll free (800) 933-2620 or (888) 933-2620 • Phone (323) 890-1190 • Fax (323) 890-1139 • www.deamco.com • email: deamco@deamco.com



MODEL BER-36P-T-X



MODEL BEH-09P-T-X



MODEL BER-36P-T-X



**MODEL BEH-18P-T-X
WITH INTERMEDIATE DISCHARGE STATIONS**

DESIGN, ENGINEERING & ASSOCIATED MANUFACTURING COMPANY

6520 East Washington Blvd., City of Commerce, CA 90040-1822

Toll free (800) 933-2620 or (888) 933-2620 • Phone (323) 890-1190 • Fax (323) 890-1139 • www.deamco.com • email: deamco@deamco.com

BES or BLS Series-BUCKETS

MODEL	D	L	W	CAP CU. IN.
BES or BLS-6	2½	5¾	4½	45
BES or BLS-9	2½	8¾	4½	69
BES or BLS-12	2½	11¾	4½	95
BES or BLS-15	2½	14¾	4½	120
BES or BLS-18	2½	17¾	4½	145

CARRIER CHAIN

MODEL	CHAIN SIZE	P	D
BES or BLS	C2052-D1	1¼	¾
BES or BLS	C2052-D1-OBR	1¼	¾

BEM or BLM Series-BUCKETS

MODEL	D	L	W	CAP CU. IN.
BEM or BLM-9	4	8¾	8¾	170
BEM or BLM-12	4	11¾	8¾	235
BEM or BLM-15	4	14¾	8¾	300
BEM or BLM-18	4	17¾	8¾	363
BEM or BLM-24	4	23¾	8¾	492

CARRIER CHAIN

MODEL	CHAIN SIZE	P	D
BEM or BLM	C2062H-D1	1½	7/8

BEH or BLH Series-BUCKETS

MODEL	D	L	W	CAP CU. IN.
BEH or BLH-9	5¼	8	10¾	315
BEH or BLH-12	5¼	11	10¾	434
BEH or BLH-15	5¼	14	10¾	553
BEH or BLH-18	5¼	17	10¾	670
BEH or BLH-24	5¼	23	10¾	908
BEH or BLH-30	5¼	29	10¾	1145
BEH or BLH-36	5¼	35	10¾	1382
BEH or BLH-48	5¼	47	10¾	1855

CARRIER CHAIN

MODEL	CHAIN SIZE	P	D
BEH or BLH	C2082H-D1	2	1½

BER or BLR Series-BUCKETS

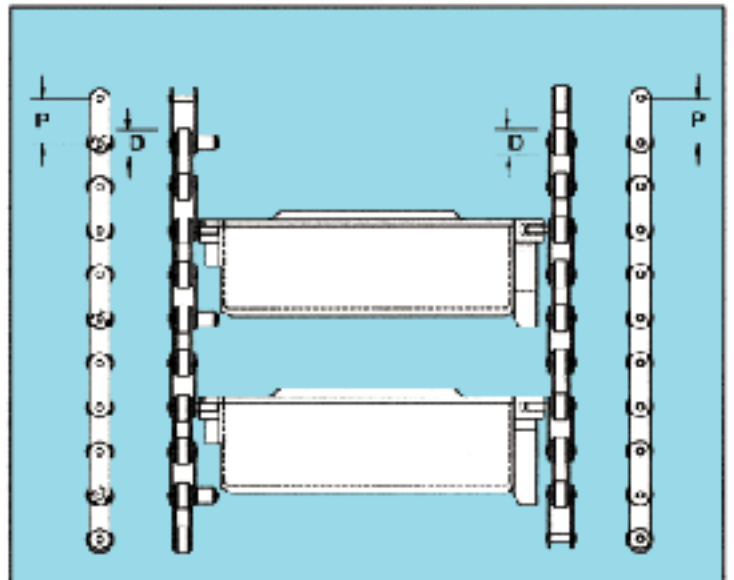
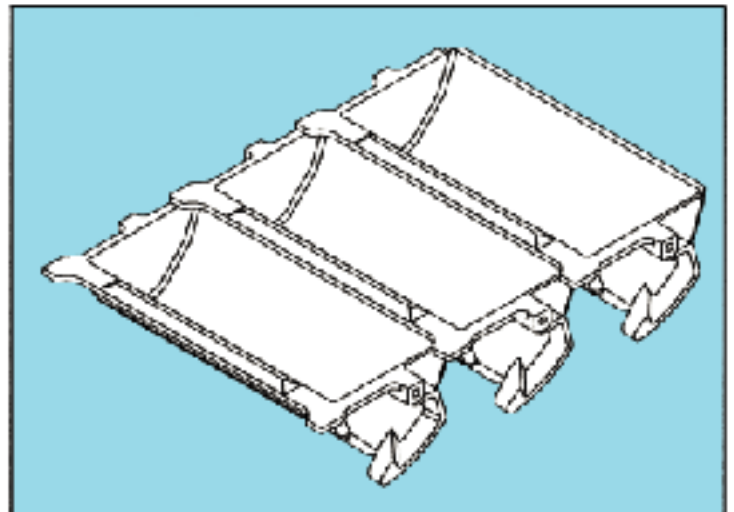
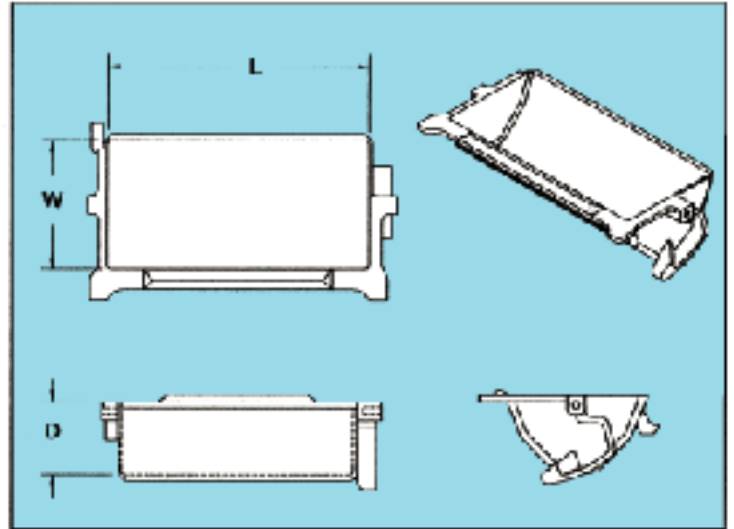
MODEL	D	L	W	CAP CU. IN.
BER or BLR-36	7¾	34¼	16	2725
BER or BLR-42	7¾	40¼	16	3210
BER or BLR-48	7¾	46¼	16	3690

CARRIER CHAIN

MODEL	CHAIN SIZE	P	D
BER or BLR	C2122H-D1	3	1¾

CARRIER BUCKETS AND CHAINS

BES SERIES SHOWN



•Dimensions shown are in inches.

DESIGN, ENGINEERING & ASSOCIATED MANUFACTURING COMPANY

6520 East Washington Blvd., City of Commerce, CA 90040-1822

Toll free (800) 933-2620 or (888) 933-2620 • Phone (323) 890-1190 • Fax (323) 890-1139 • www.deamco.com • email: deamco@deamco.com

BES or BLS 'X' Series (Tubular Frame Construction)

CU/FT/HR MODEL	BUCKETS 100%	BUCKETS 75%	BUCKETS * 75%	A		B	C	D	E	F	G	H	I	J	K	L	M	N		P	R	S	T	V	W	SHIP WEIGHT
				I/D MIN.	I/D MIN.													I/D MIN.	I/D MIN.							
BES or BLS-6	220	165	125	42	76	12	42	14	9	12	3	35	12	17	6	8	3	20	54	12	10	39	37	15	36	30#/FT
BES or BLS-9	355	265	200	42	80	12	42	17	12	12	3	35	12	17	9	8	3	20	58	12	10	43	37	17	36	32#/FT
BES or BLS-12	485	365	275	42	88	12	42	20	15	12	3	35	12	17	12	8	3	20	66	12	10	51	37	19	36	34#/FT
BES or BLS-15	620	465	350	42	92	12	42	23	18	12	3	35	12	17	15	8	3	20	70	12	10	55	37	21	36	36#/FT
BES or BLS-18	750	565	420	42	96	12	42	26	21	12	3	35	12	17	18	8	3	20	74	12	10	59	37	23	36	39#/FT

Sizes = Inches

Capacity = Cubic foot per hour

For intermediate discharges do not exceed 150 buckets per minute

CHAIN SPEED:

60 Foot per minute

70 Foot per minute maximum

BUCKET SPEEDS:

150 Buckets per minute standard

175 Buckets per minute maximum

* 'C' Configuration Requirements

• To above shipping weights add approximately 700 pounds per elevator for drive, sprockets, chain and related items.

BEM or BLM 'X' Series (Tubular Frame Construction)

CU/FT/HR MODEL	BUCKETS 100%	BUCKETS 75%	BUCKETS * 75%	A		B	C	D	E	F	G	H	I	J	K	L	M	N		P	R	S	T	V	W	SHIP WEIGHT
				I/D MIN.	I/D MIN.													I/D MIN.	I/D MIN.							
BEM or BLM-9	635	475	360	60	114	14	60	19	12	15	5	46	19	22	9	11	4	30	84	15	15	65	49	22	40	33#/FT
BEM or BLM-12	880	660	495	60	117	14	60	22	15	15	5	46	19	22	12	11	4	30	87	15	15	68	49	24	40	36#/FT
BEM or BLM-15	1130	845	635	60	120	14	60	25	18	15	5	46	19	22	15	11	4	30	90	15	15	71	49	25	40	39#/FT
BEM or BLM-18	1360	1020	765	60	123	14	60	28	21	15	5	46	19	22	18	11	4	30	93	15	15	74	49	27	40	42#/FT
BEM or BLM-24	1850	1385	1040	60	129	14	60	34	27	15	5	46	19	22	24	11	4	30	99	15	15	80	49	30	40	48#/FT

Sizes = Inches

Capacity = Cubic foot per hour

For intermediate discharges do not exceed 110 buckets per minute

CHAIN SPEED:

80 Foot per minute

95 Foot per minute maximum

BUCKET SPEEDS:

110 Buckets per minute standard

130 Buckets per minute maximum

* 'C' Configuration Requirements

• To above shipping weights add approximately 750 pounds per elevator for drive, sprockets, chain and related items.

BEH or BLH 'X' Series (Tubular Frame Construction)

CU/FT/HR MODEL	BUCKETS 100%	BUCKETS 75%	BUCKETS * 75%	A		B	C	D	E	F	G	H	I	J	K	L	M	N		P	R	S	T	V	W	SHIP WEIGHT
				I/D MIN.	I/D MIN.													I/D MIN.	I/D MIN.							
BEH or BLH-9	735	550	415	72	135	17	72	20	11	19	8	63	17	28	7	18	6	35	98	18	18	76	59	25	44	67#/FT
BEH or BLH-12	1010	760	570	72	139	17	72	23	14	19	8	63	17	28	10	18	6	35	102	18	18	80	59	27	44	70#/FT
BEH or BLH-15	1285	965	725	72	142	17	72	26	17	19	8	63	17	28	13	18	6	35	105	18	18	83	59	29	44	73#/FT
BEH or BLH-18	1560	1170	880	72	145	17	72	29	20	19	8	63	17	28	16	18	6	35	108	18	18	86	59	31	44	76#/FT
BEH or BLH-24	2110	1585	1190	72	152	17	72	35	26	19	8	63	17	28	22	18	6	35	115	18	18	93	59	34	44	82#/FT
BEH or BLH-30	2665	2000	1500	72	158	17	72	41	32	19	8	63	17	28	28	18	6	35	121	18	18	99	59	38	44	88#/FT
BEH or BLH-36	3215	2415	1810	72	165	17	72	47	38	19	8	63	17	28	34	18	6	35	128	18	18	106	59	42	44	94#/FT
BEH or BLH-48	4315	3235	2425	72	178	17	72	59	50	19	8	63	17	28	46	18	6	35	141	18	18	119	59	49	44	101#/FT

Sizes = Inches

Capacity = Cubic foot per hour

For intermediate discharges do not exceed 70 buckets per minute

CHAIN SPEED:

70 Foot per minute

80 Foot per minute maximum

BUCKET SPEEDS:

70 Buckets per minute standard

80 Buckets per minute maximum

* 'C' Configuration Requirements

• To above shipping weights add approximately 800 pounds per elevator for drive, sprockets, chain and related items.

BER or BLR 'X' Series (Tubular Frame Construction)

CU/FT/HR MODEL	BUCKETS 100%	BUCKETS 75%	BUCKETS * 75%	A		B	C	D	E	F	G	H	I	J	K	L	M	N		P	R	S	T	V	W	SHIP WEIGHT
				I/D MIN.	I/D MIN.													I/D MIN.	I/D MIN.							
BER or BLR-36	5680	4260	3195	108	264	24	108	52	38	26	10	94	30	39	34	24	9	54	210	24	28	183	81	64	54	180#/FT
BER or BLR-42	6690	5020	3765	108	281	24	108	58	44	26	10	94	30	39	40	24	9	54	227	24	28	200	81	70	54	185#/FT
BER or BLR-48	7690	5770	4330	108	298	24	108	64	50	26	10	94	30	39	46	24	9	54	244	24	28	217	81	76	54	190#/FT

Sizes = Inches

Capacity = Cubic foot per hour

For intermediate discharges do not exceed 60 buckets per minute

CHAIN SPEED:

90 Foot per minute

103 Foot per minute maximum

BUCKET SPEEDS:

60 Buckets per minute standard

69 Buckets per minute maximum

* 'C' Configuration Requirements

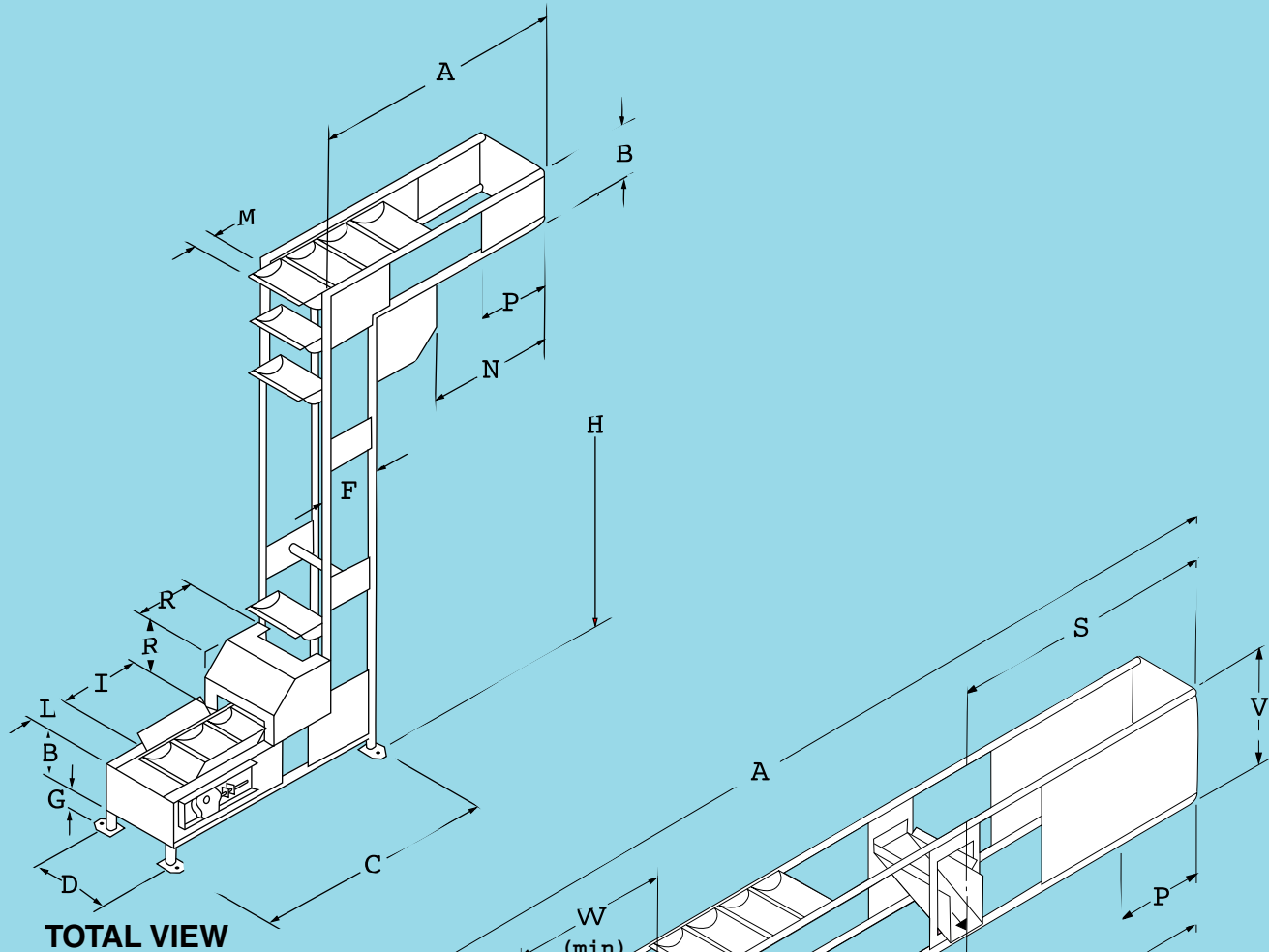
• To above shipping weights add approximately 1,000 pounds per elevator for drive, sprockets, chain and related items.

• Specifications are subject to change without notice.

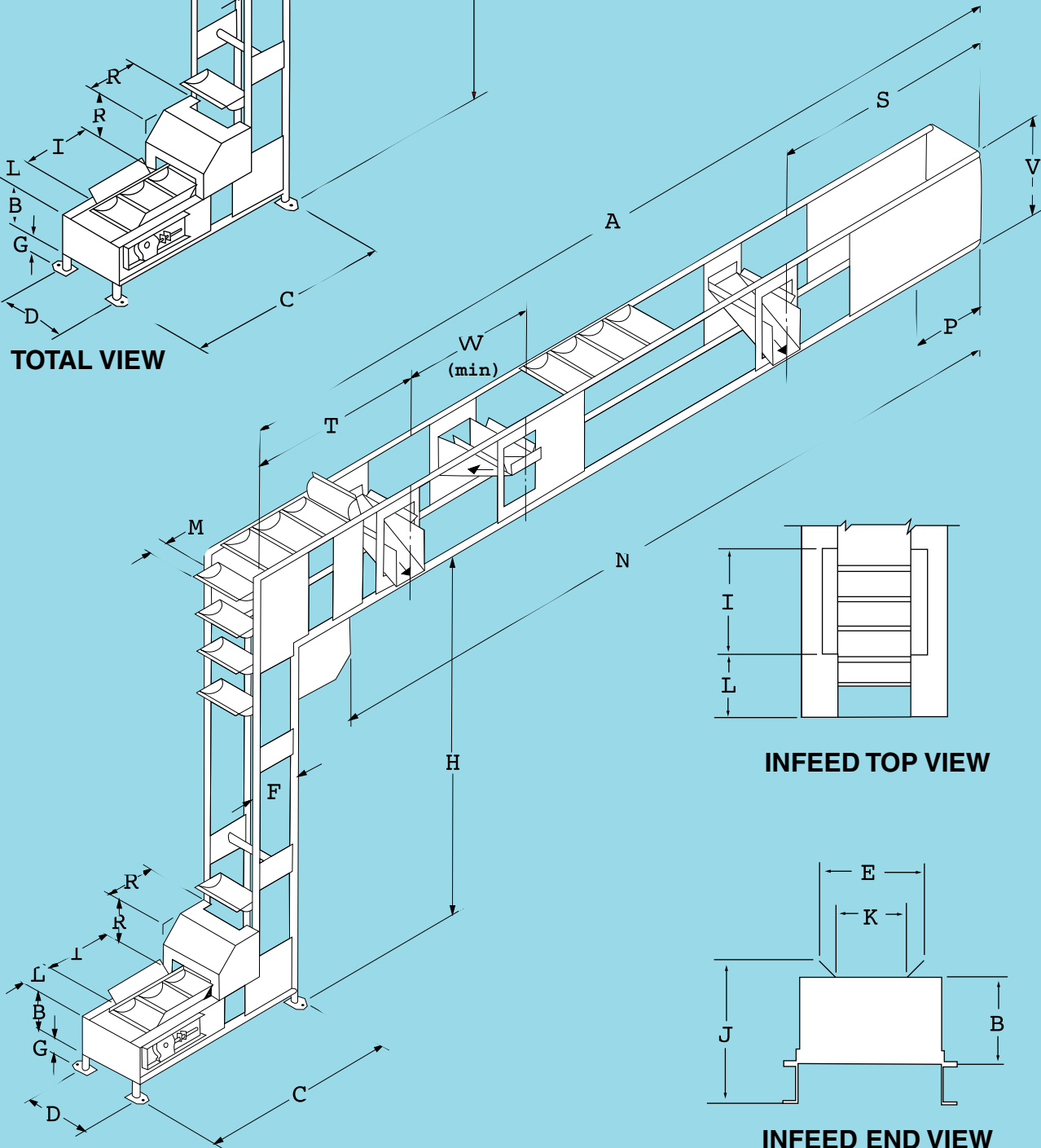
DESIGN, ENGINEERING & ASSOCIATED MANUFACTURING COMPANY

6520 East Washington Blvd., City of Commerce, CA 90040-1822 • Toll free (800) 933-2620 or (888) 933-2620 • Phone (323) 890-1190 • Fax (323) 890-1139

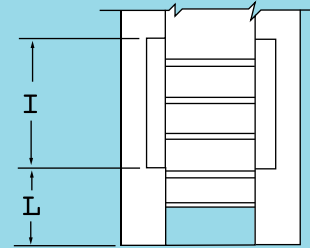
TUBULAR FRAME CONSTRUCTION SHOWN



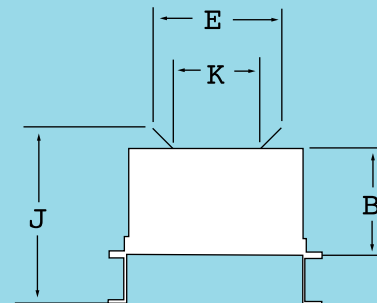
TOTAL VIEW



TOTAL VIEW



INFEED TOP VIEW



INFEED END VIEW

DESIGN, ENGINEERING & ASSOCIATED MANUFACTURING COMPANY

6520 East Washington Blvd., City of Commerce, CA 90040-1822

Toll free (800) 933-2620 or (888) 933-2620 • Phone (323) 890-1190 • Fax (323) 890-1139 • www.deamco.com • email: deamco@deamco.com

Bucket Elevator/Lowerator – ‘X’ Series

BES/BLS • BEM/BLM • BEH/BLH • BER/BLR

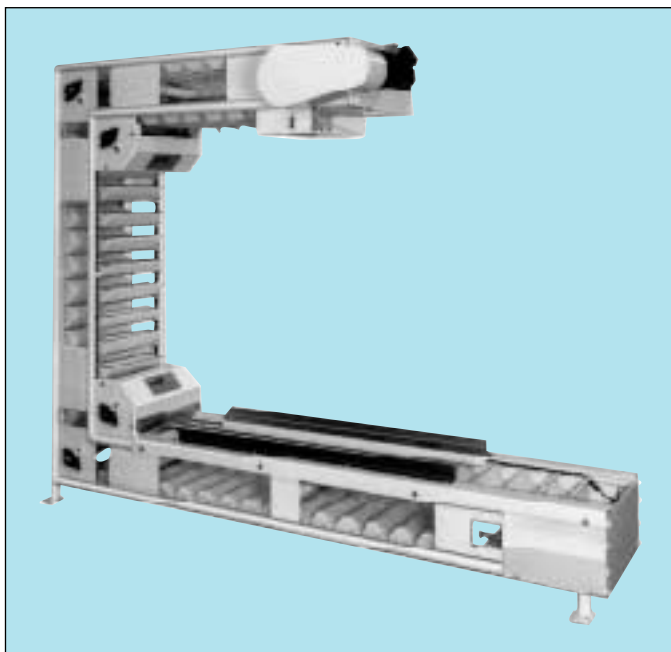
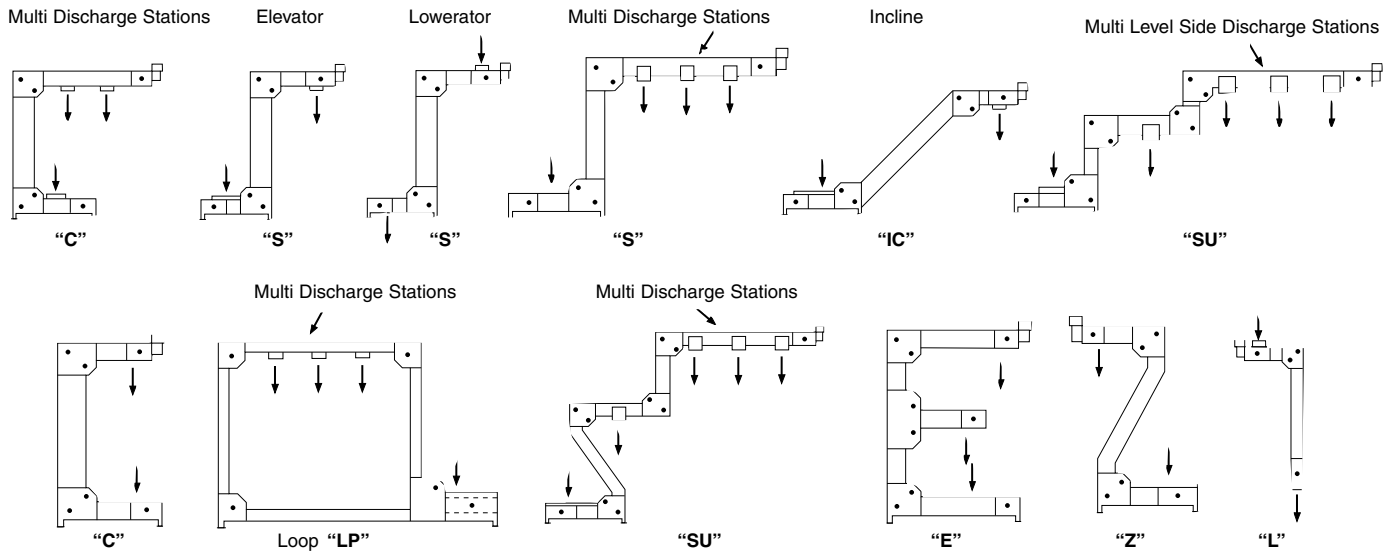
(SANITARY TUBULAR FRAME CONSTRUCTION)

OPTIONS

- Stainless steel construction
- Totally enclosed construction
- Completely sealed tight construction
- Other locations for motor and drive mounting
- Vari-Drive unit
- Electrical control panel
- Air control panel for discharge stations
- Centralized lubrication system
- Variety of inlet and discharge stations (end, side, bottom and other customized forms of inlets and discharges)

CUSTOMIZED CONFIGURATIONS

(Other variations also available)



**MODEL BES-18P-T
BUCKET ELEVATOR
‘C’ CONFIGURATION SHOWN**



**MODEL BEH-12P-T
BUCKET ELEVATOR
WITH DEAMCO VIBRATORY HOPPER FEEDER SHOWN**

DESIGN, ENGINEERING & ASSOCIATED MANUFACTURING COMPANY

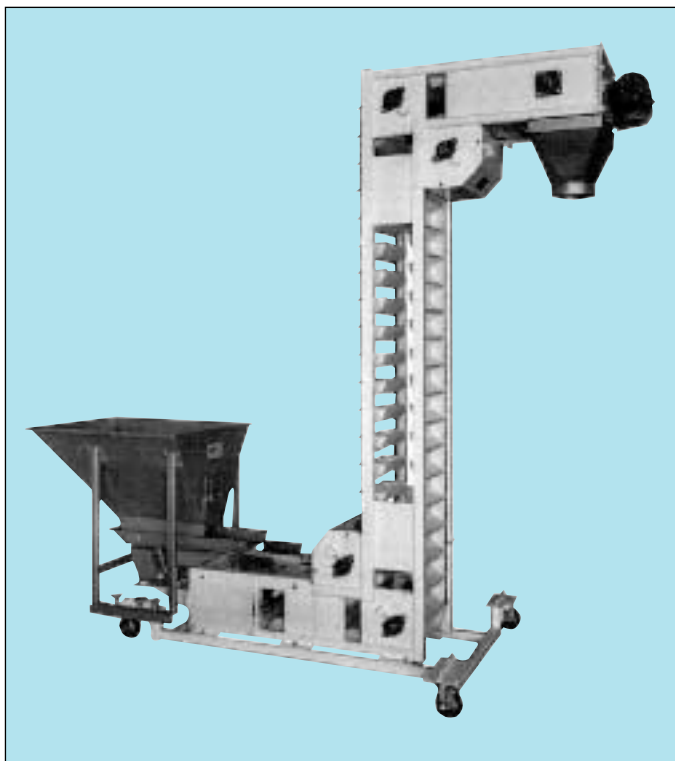
6520 East Washington Blvd., City of Commerce, CA 90040-1822

Toll free (800) 933-2620 or (888) 933-2620 • Phone (323) 890-1190 • Fax (323) 890-1139 • www.deamco.com • email: deamco@deamco.com

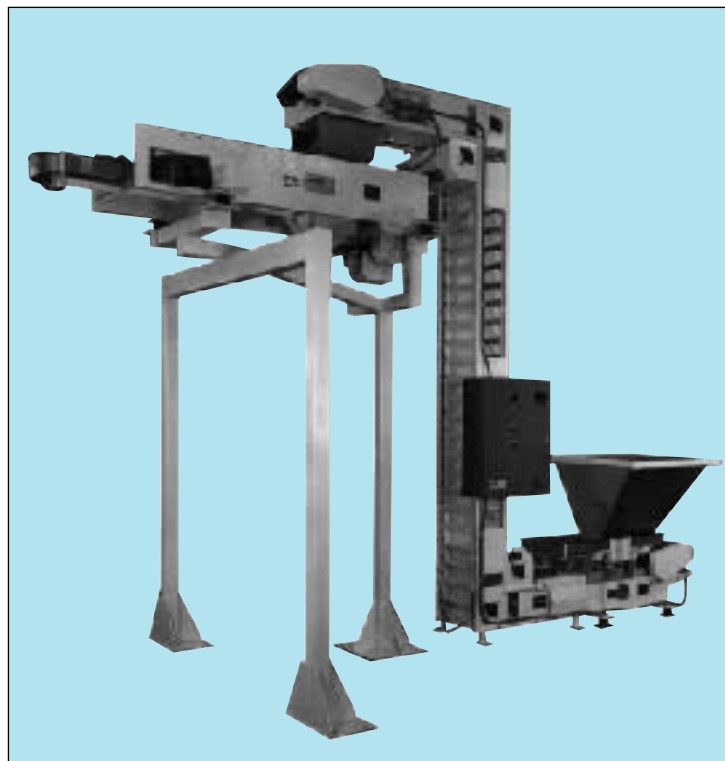
Bucket Elevator/Lowerator – ‘X’ Series

BES/BLS • BEM/BLM • BEH/BLH

(SANITARY TUBULAR FRAME CONSTRUCTION)



**MODEL BES-12P-T BUCKET ELEVATOR
WITH HOPPER AND VIBRATORY FEEDER
AND CUSTOM DISCHARGE SPOUT**



**MODEL BES-18P-T-X BUCKET ELEVATOR
SINGLE AUTOMATED INFEED SYSTEM
TO PACKAGING MACHINE**



**MODEL BES-15P-T-X BUCKET ELEVATOR
IN SYSTEM APPLICATION**

When your requirements are submitted to DEAMCO, you immediately have the benefit of global expertise gained by DEAMCO from the design and construction of many similar projects.



**Contact DEAMCO for other equipment as well as
your material handling and processing needs.**

Deamco Corp. Ltd.
829 yeovil Road, Trading Estate
Slough, Berks England SL1 4JA
Tel: 01753533513
Fax: 07153533514

Sturton-Gill Engineering
7 Holloway Drive
Bayswater, Victoria, Australia 3153
Tel: 011-61-3-9762-8800
Fax: 011-61-3-9762-8278

DESIGN, ENGINEERING & ASSOCIATED MANUFACTURING COMPANY

6520 East Washington Blvd., City of Commerce, CA 90040-1822

Toll free (800) 933-2620 or (888) 933-2620 • Phone (323) 890-1190 • Fax (323) 890-1139 • www.deamco.com • email: deamco@deamco.com

2003

Bulletin # 111803