



# RECYCLER PERMANENT MAGNETS TRAMP MTL 11F (4/99) (RPM)

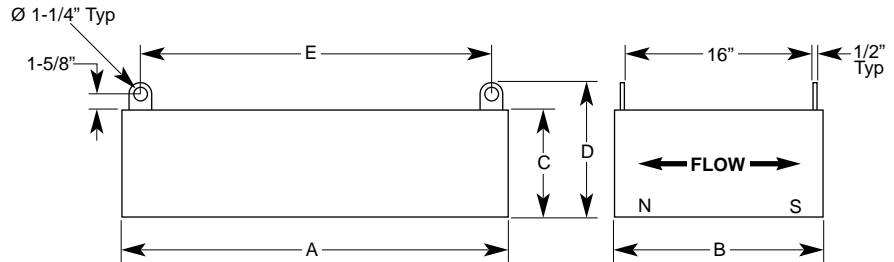
## MANUAL CLEAN RPM FEATURES:

- Strong (ceramic 8) permanent magnetic field
- No electrical hookups needed
- Compact design
- All welded construction

RPM Manual Clean Models	Magnet Dim. A x B	Magnet Height C	Overall Height D	Lift Hole Centers E	Approx Weight Lbs.
RPM18	18" x 18"	8-1/8"	11-1/8"	15"	360
RPM24	24" x 18"	8-1/8"	11-1/8"	21"	480
RPM30	30" x 18"	8-1/8"	11-1/8"	27"	600
RPM36	36" x 18"	8-1/8"	11-1/8"	33"	720
RPM42	42" x 18"	8-1/8"	11-1/8"	39"	844
RPM48	48" x 18"	8-1/8"	11-1/8"	45"	963

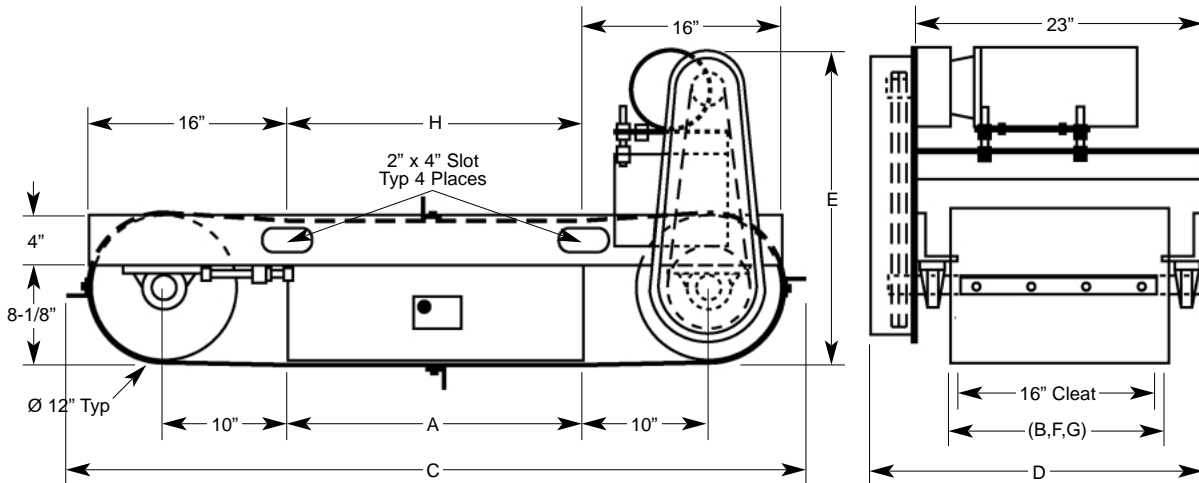
## MANUAL CLEAN OPTIONS:

- Turnbuckles provided with unit
- EZ-Clean stripper pan
- EZ-Clean swipe bar



## SELF-CLEANING RPM FEATURES:

- Strong (ceramic 8) permanent magnetic field
- All welded construction
- Pylon 150 2-ply belt
- Belt speed approximately 300 FPM
- Compact design
- Belt and sheave drive
- 2" high stainless steel cleats
- 2 HP 230/460 VAC 3 phase TEFC



## SELF CLEANING OPTIONS:

- Turnbuckles provided with unit
- 4" high stainless steel cleats
- Explosion proof motor
- Zero speed switch
- Custom designs

RPM Self-Cleaning Models	Magnet Dim. A x B	Overall Length C	Overall Width D	Overall Height E	Pulley Width F	Belt Width G	Slot Centers H	Motor H.P.	Approx Weight Lbs.
RPM18SC	18" x 18"	54-1/2"	27"	26-1/8"	18"	18"	18"	2	960
RPM24SC	24" x 18"	60-1/2"	27"	26-1/8"	18"	18"	24"	2	1,095
RPM30SC	30" x 18"	66-1/2"	27"	26-1/8"	18"	18"	30"	2	1,230
RPM36SC	36" x 18"	72-1/2"	27"	26-1/8"	18"	18"	36"	2	1,365
RPM42SC	42" x 18"	78-1/2"	27"	26-1/8"	18"	18"	42"	2	1,500
RPM48SC	48" x 18"	84-1/2"	27"	26-1/8"	18"	18"	48"	2	1,700

©1999 Industrial Magnetics, Inc.

**IMI Is Represented By Air Process Systems & Conveyors Co., Inc.**

774 Burr Oak Drive • Westmont, Illinois 60559 • Phone: 630.887.0770 800.822.0771

Fax: 630.887.0771 • Email: Sales@AirProcessSystems.com

**Web: www.AirProcessSystems.com**