

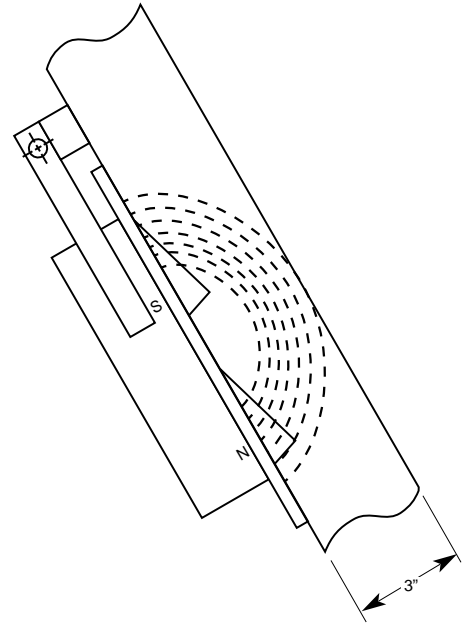
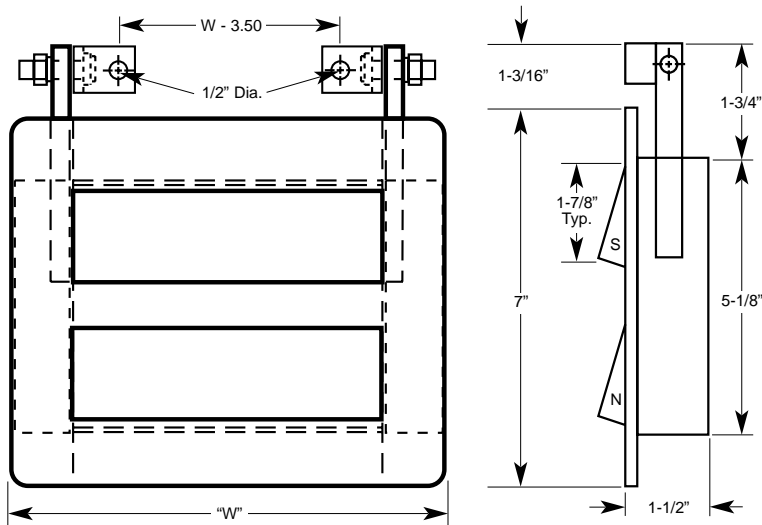


PLATE MAGNETS

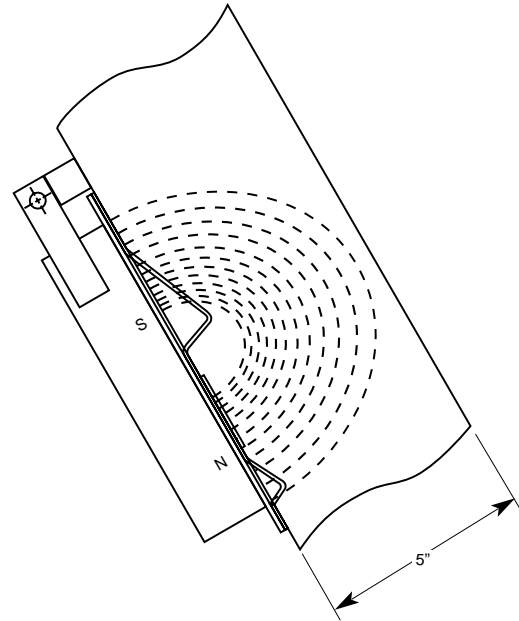
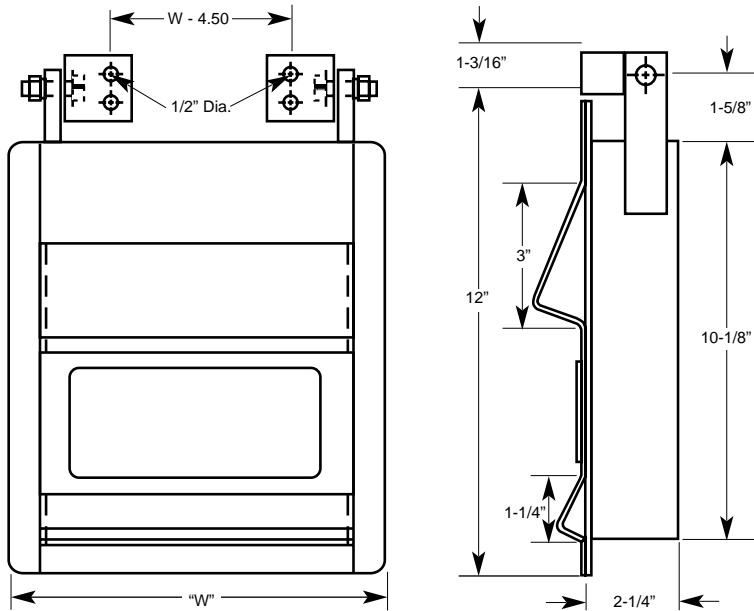
RARE EARTH

TRAMP MTL 1C (5/99)

Rare Earth Spout Magnet



Extra Power Rare-Earth Spout Magnet



FEATURES:

- Extremely Powerful Magnet
- Seam Welded Face
- Spout or Ramped Face
- Heavy Duty Hinge

BENEFITS:

- Fine & Weakly Magnetic Particle Separation
- Liquid Tight Face
- Reduce Captured Metal Wash-Off
- Swing Away Magnet for Easy Cleaning

Notes: Magnet capabilities depend on the product and application requirements.
Contact IMI with application specifications prior to choosing a Rare-Earth Plate Magnet.

©1999 Industrial Magnetics, Inc.

IMI Is Represented By Air Process Systems & Conveyors Co., Inc.

774 Burr Oak Drive • Westmont, Illinois 60559 • Phone: 630.887.0770 800.822.0771

Fax: 630.887.0771 • Email: Sales@AirProcessSystems.com

Web: www.AirProcessSystems.com