



PAV-8 - Rotary Airlock

HEAVY DUTY SERIES ROTARY AIRLOCK VALVE



PRATER 8" ROTARY AIRLOCK

AVAILABLE FEATURES

- Air purged seals
- Food grade Teflon seals
- Food grade white epoxy paint
- 304 or 316 stainless steel body & rotor
- Hastelloy body and rotor
- Shear pins / Zero speed switch
- High temp bearings & seals for operation to 1100° F
- Wear & corrosion resistant coatings
- Inlet baffle / Inlet v-plow for shear protection
- Discharge adapter / Finger guards
- Bolt on or flexible tips
- Vented pockets / Vented housing
- Die cut flange gaskets
- Manual hand crank or pneumatic maintenance gates available
- Drive: 3/4 HP, TEFC, or TEXP / Various voltages available



- Constructed of high strength cast iron or stainless steel body & end plates
- 8 blade, mild steel, open-end rotor with welded pocket bottoms
- Self-adjusting, maintenance-free packing gland assemblies
- Outboard mounted, maintenance-free bearings
- Universal flanges custom-drilled at no extra charge
- Complimentary temperature compensation
- End plates pre-drilled & tapped for optional shaft air purge
- Quick and easy end plate removal using included jack bolt holes
- Operating temperature up to 500° F with standard components
- Keyed shaft extension for most drive assemblies
- Premium, 3/4 HP, inverter duty, helical gear motor
- Standard models in stock

NFPA-69

MSHA

V-Plow

10-Bar

PSR11

CSA

**THE ONLY AIRLOCK
IN NORTH AMERICA TO BE
TESTED & CERTIFIED
TO COMPLY WITH NFPA-69**



praterindustries.com

Capacity:

Theoretical: 0.30 cu. Ft.
(8.5 L) / rev.
Practical: 0.24 cu. Ft.
(6.8 L) / rev.

Housing:

Material: Gray Cast Iron
Thickness: 0.5" x 0.31"
12.7 x 7.9 mm

Flanges:

Square Outline: Drilled
Round or Square
Inlet Size: 8.0" / 203 mm
Outlet Size: 8.0" / 203 mm
Thickness: 0.44" / 11.1 mm

Bearings:

Type: Ball Bearing
Size: 1.188" / 30.16 mm
Life Rating L-10: > 60,000 hours
Outboard Mounted: Yes

Shaft:

Material: Mild or Stainless Steel
Drive Stub Shaft D: 1.188" / 30.16 mm
Packing Seal: Abrasion Resistant

Drive Includes:

.75 Hp, 60Hz, 3 Ph
230/460 V. Motor, Motor Base
Gear Reducer, Chain Drive
TEFC & OSHA Guard

**Approx. Weight & Dimensions:
Airlock Only**

Length: 21-15/16" / 557 mm
Width: 12.0" / 305 mm
Height: 12.0" / 305 mm
Weight: 110 lbs / 50 kg
Shipping Weight: 150 lbs / 68 kg

With Drive & Standard Guard:

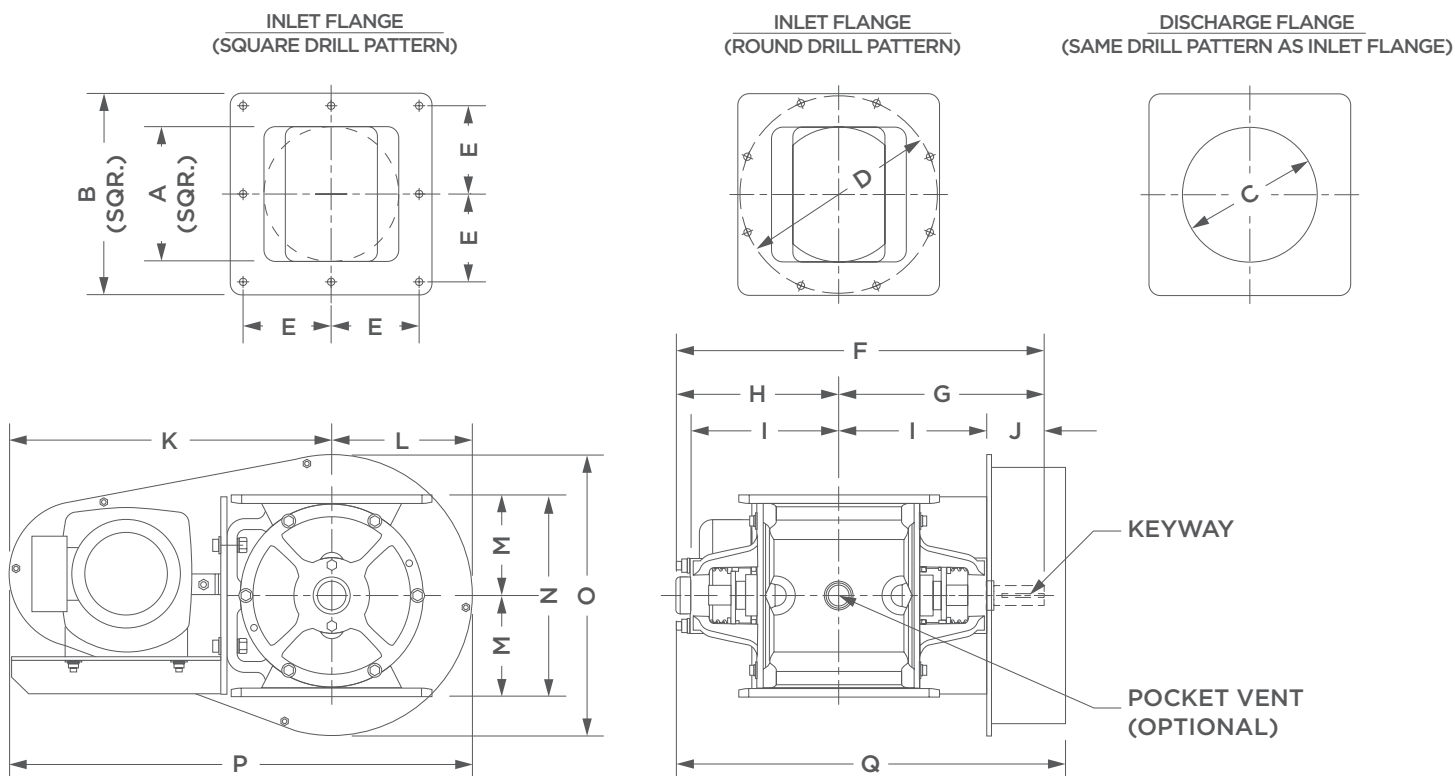
Length: 27-1/4" / 692 mm
Width: 23-1/16" / 586 mm
Height: 16-3/4" / 425 mm
Weight: 215 lbs / 98 kg
Shipping Weight: 255 lbs / 116 kg

Sound Level:

< 75 db scale A

Paint:

Primer: Gray Chromate
Finish: White, Urethane



MODEL	DISPLACEMENT (CU. FT./REV)	DIMENSIONS (INCHES)																HOLE (QTY)	KEYWAY W X D	DRIVE SHAFT DIA.	FLANGE THK.	WEIGHT (LBS)	WEIGHT W/ DRIVE (LBS)	
		A	B	C	D	E	F	G	H	I	J	K	L	M	N	O	P							Q
PAV-8	.30	8	12	8	11 3/4	5 1/4	21 15/16	12 1/4	9 11/16	8 13/16	3	19 1/4	8 3/8	6	12	16 3/4	27 1/4	23 1/16	8	1/4 x 1/8	1 3/16	7/16	110	215

PRATER[®]
AIRLOCKS • MILLS • SEPARATORS

2 Sammons Court, Bolingbrook, IL 60440
800.323.5735 • praterindustries.com