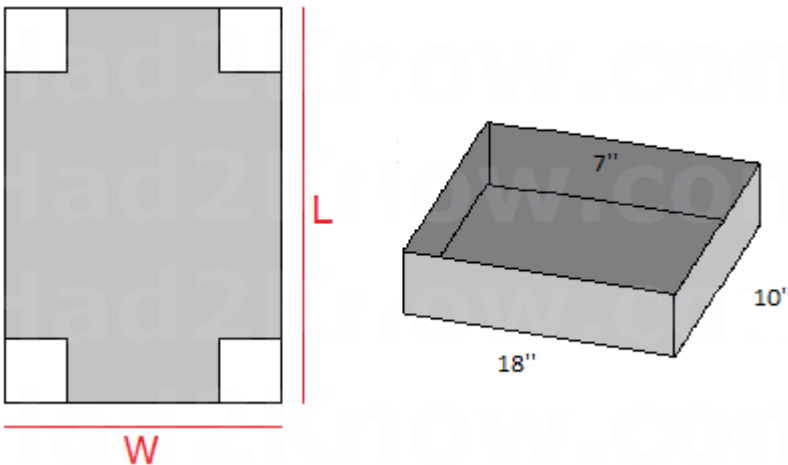


PEAKfresh[®]USA

CALCULATING BOX LINER SIZE:

BOX SIZE: 18" x 10" x 7" (Length (x) Width (x) Height)



CREATE BAG SIZE:

Add 1" to length = $18'' + 1'' = 19''$

Add 1" to width = $10'' + 1'' = 11''$

Add width plus (+) height plus (+) 2" (=) 20" (calculation: $11'' + 7'' + 2'' = 20''$)

BAG SIZE: 19" x 11" x 20"

CALCULATING WEIGHT PER 1,000 LBS OF BAGS

Add length plus (+) width of bag (+) (x) height of bag (x) gauge .9 (÷) by 15 = Weight of every 1,000 lbs

Formula for box above: $19(+)\ 11(+)\ (x)\ 20\ (x)\ .9\ (÷)\ 15 = 36.00$

NOTE:

Gauge or thickness of box liner is always (.9) mil thick

Always use 15 as the number to divide the calculation for LDPE

Always calculate using full digits for weight