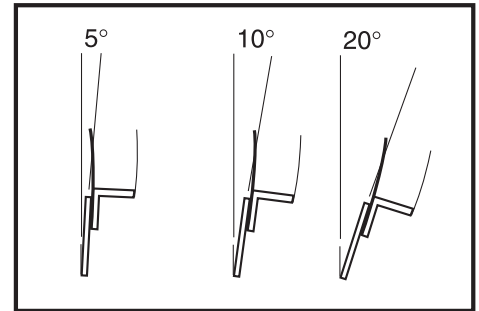


# Full Trip Reversible

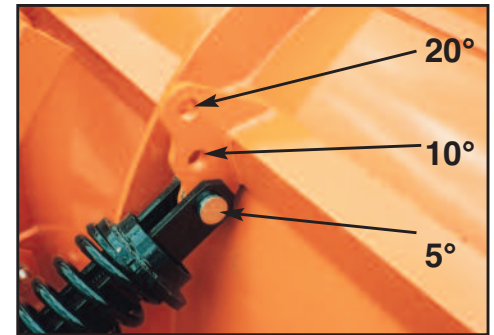


- Moldboard Thickness: 10 Gauge
- No. of 1/2" Vertical Ribs: 6
- Moldboard Reinforcing: (6) - 1 piece, 1/2" Flame Cut Ribs
- Moldboard Top Angle: 2" x 3" x 3/8"
- Adjustable Moldboard Pitch Settings: 5°, 10°, 20°
  - Semi-Circle: 3 1/2" x 3 1/2" x 1/2" A36 Hot Rolled Angle
- Bottom Moldboard Angle: 3/4" x 4" x 4"
- Reversing Cylinders: (2) 3" x 10" Double Acting
- Reversing Limits (left & right): 35°
- Plow to Table Hinge Points: 4
- Cutting Edge: 3/8" x 8" Top Punched
- Pivot Pin: 1 1/4" Stopped
- Cylinder Pins: 1 1/4"
- Lift System: Built-In Level Lift



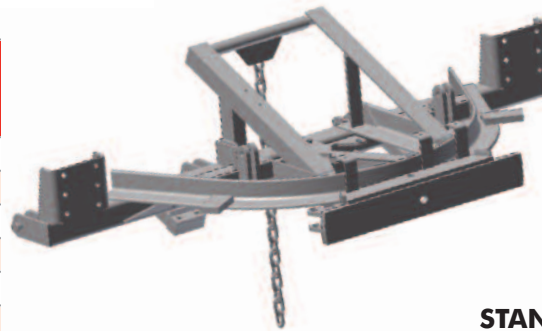
Force Required to Trip Moldboard

**LIGHT TRIP**      **MEDIUM TRIP**      **HARD TRIP**



Simple Three Position Adjustment for Plow Cutting Edge Attack Angle

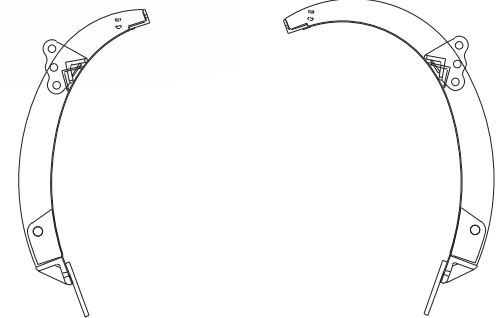
Plow Model No.	Overall Length	Height w/ 3/8" x 8" Cutting Edge	Approx. Weight (lbs)
MP36R10-CT	10'	36"	1475
MP36R10-ISCT	10'	36"	1500
MP41R10-CT	10'	41"	1575
MP41R10-ISCT	10'	41"	1575
MP36R11-CT	11'	36"	1500
MP36R11-ISCT	11'	36"	1525
MP41R11-CT	11'	41"	1625
MP41R11-ISCT	11'	41"	1650
MP48R11-CT	11'	48"	1755
MP48R11-ISCT	11'	48"	1800
MP36R12-CT	12'	36"	1520
MP36R12-ISCT	12'	36"	1700
MP41R12-CT	12'	41"	1695
MP41R12-ISCT	12'	41"	1725
MP48R12-CT	12'	48"	1845
MP48R12-ISCT	12'	48"	2000



The Patented Level Lift allows plow to be parallel to the road surface at all times - raised, lowered, or angled.

**STANDARD**

**INTEGRAL**



Standard Moldboard vs Integral Shield Moldboard



**Q) When would I use a full trip reversible straight blade plow?**

A) This plow is used for municipal, commercial, airport and off road plowing. Our most versatile, general purpose snowplow. Full trip is when the cutting edge hits an immovable object no higher than the center of the moldboard hinge points and the whole moldboard moves forward until the cutting edge goes past center and slides over the object. The dual compression trip assemblies return the plow to plowing position once the obstacle is cleared.

