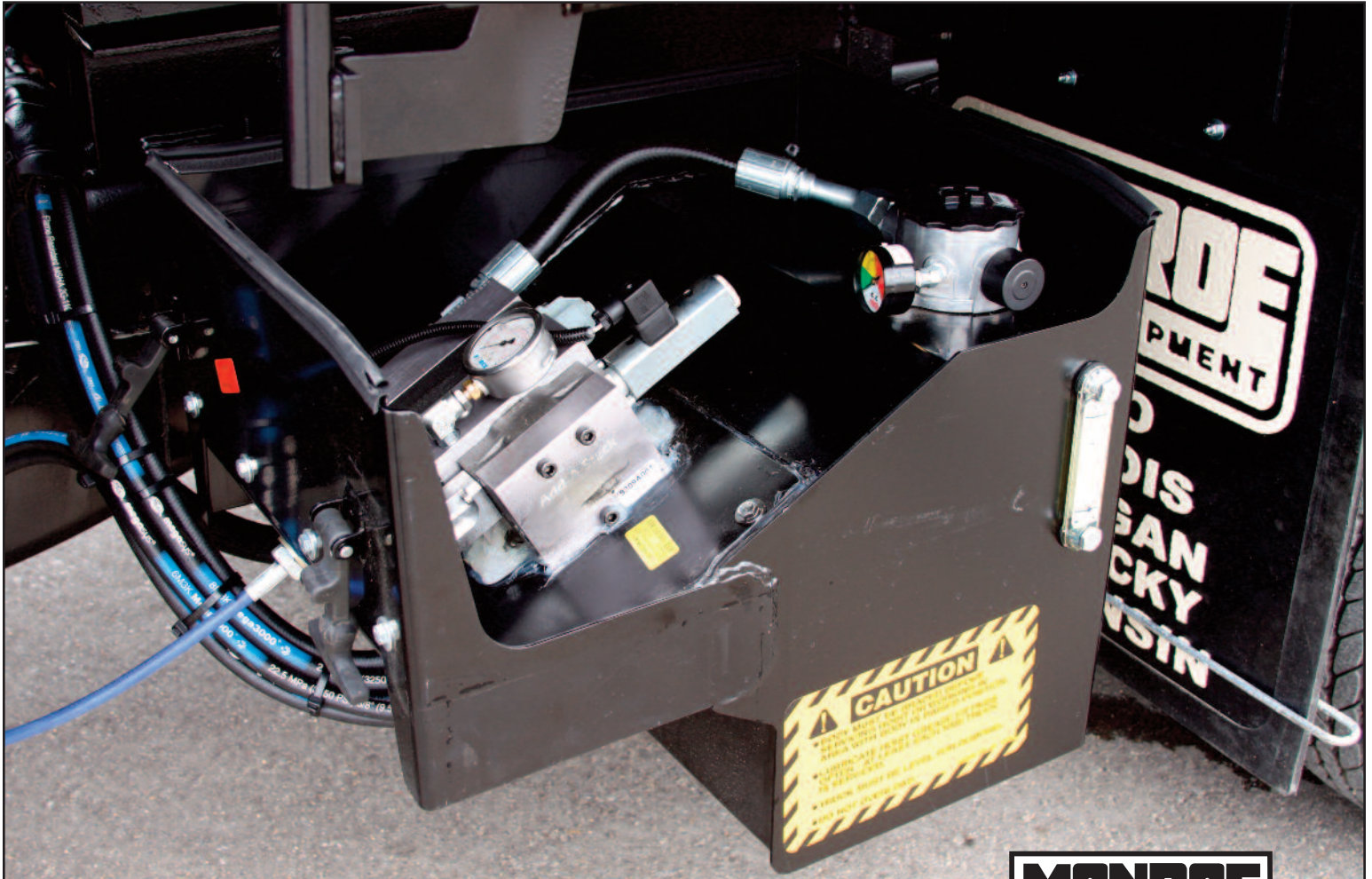
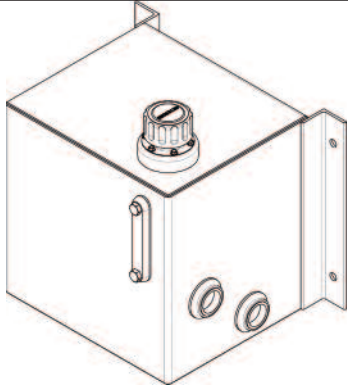
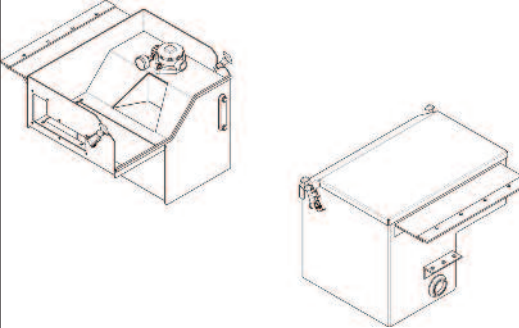
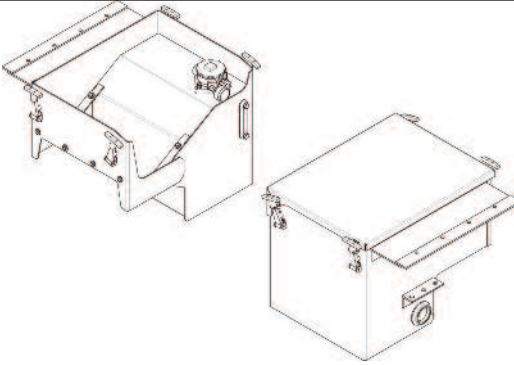
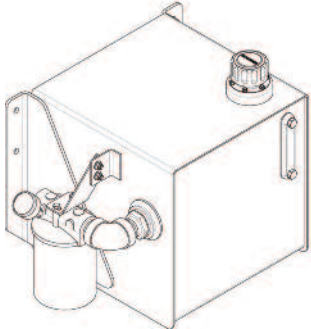
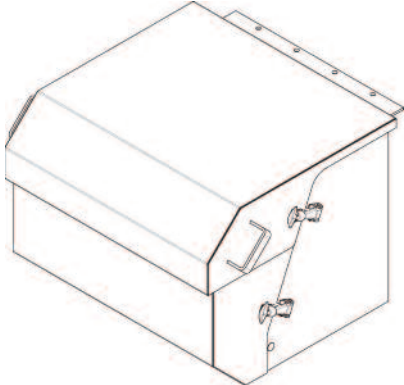


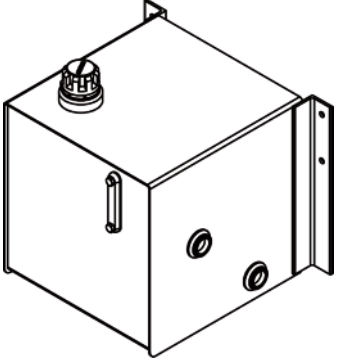
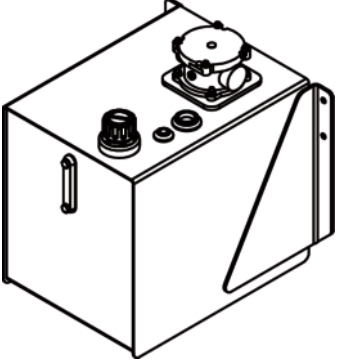
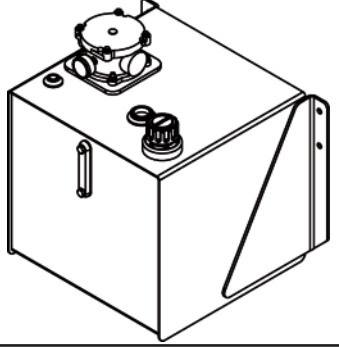
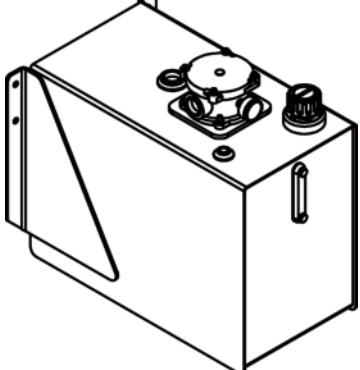
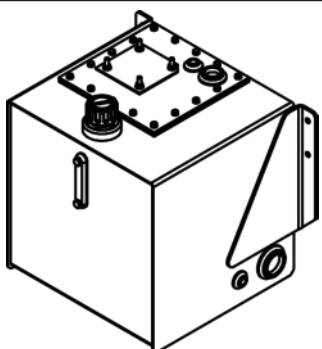
RESERVOIRS & TANK SELECTION



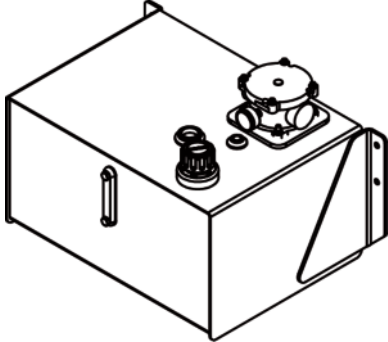
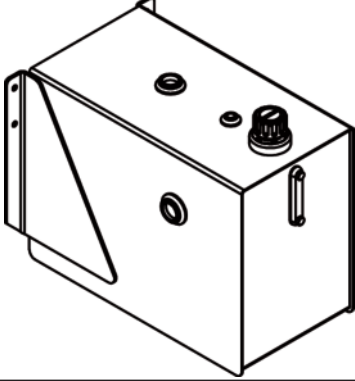
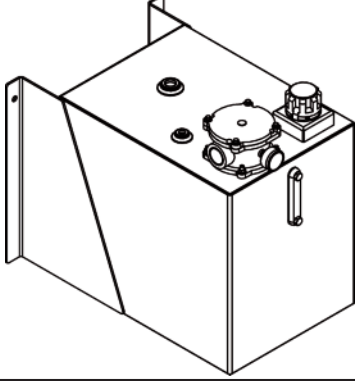
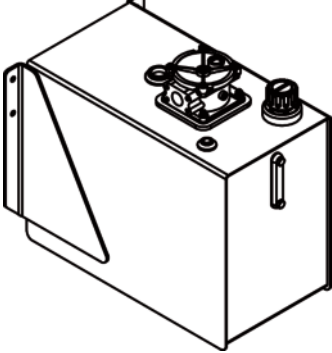
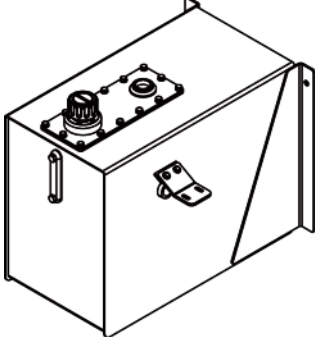
1-TON

Part Number	Stock Item	Length	Depth	Height	Material	Capacity	Diagram
00124852		18.27	13.51	17.32	MS	9 Gal	
00137005		24.90	18.75	19.57	MS, SS	13 Gal	
00140350	Stock	24.75	18.63	19.50	MS, SS	13 Gal	
00019711	Stock	19.77	16.77	18.83	MS, SS	15 Gal	
00120900		26.65	24.81	20.75	MS	15 Gal	

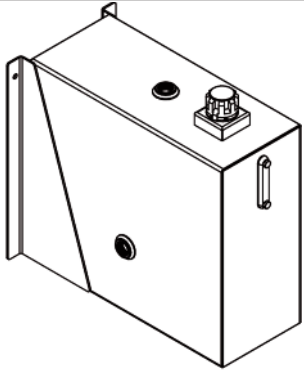
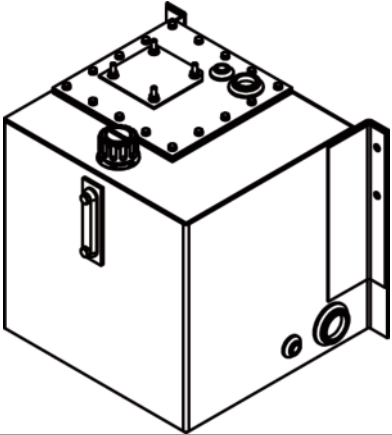
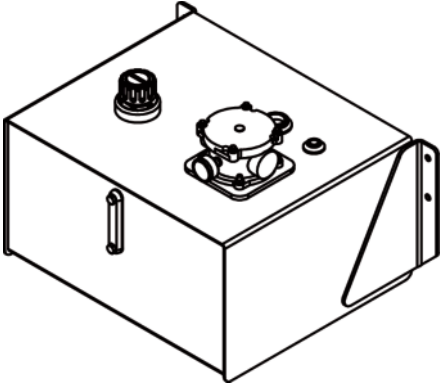
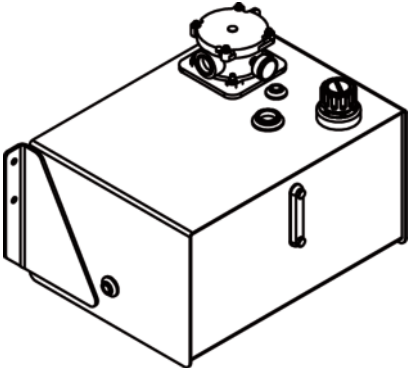
STAND ALONE FRAME MOUNT TANK

Part Number	Stock Item	Length	Depth	Height	Material	Capacity	Diagram
00140374		23.27	20.27	22.14	MS	23 Gal	
00088176		21.52	23.63	24.53	MS, SS	29 Gal	
00019720	Stock	24.77	20.39	23.54	MS, SS	30 Gal	
00019768	Stock	18.77	27.89	25.04	MS, SS	30 Gal	
00023462		24.52	20.13	23.32	MS, SS	30 Gal	

STAND ALONE FRAME MOUNT TANK (Continued)

Part Number	Stock Item	Length	Depth	Height	Material	Capacity	Diagram
00089421		30.52	20.14	18.51	MS, SS	30 Gal	
00097274		18.77	27.89	23.83	MS, SS	30 Gal	
00097928		20.27	27.02	24.29	MS	30 Gal	
00102725		18.77	27.89	25.14	MS, SS	30 Gal	
00104235		18.27	27.89	24.22	MS	30 Gal	

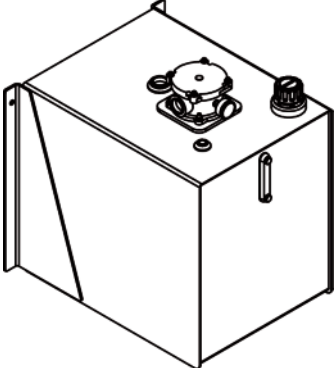
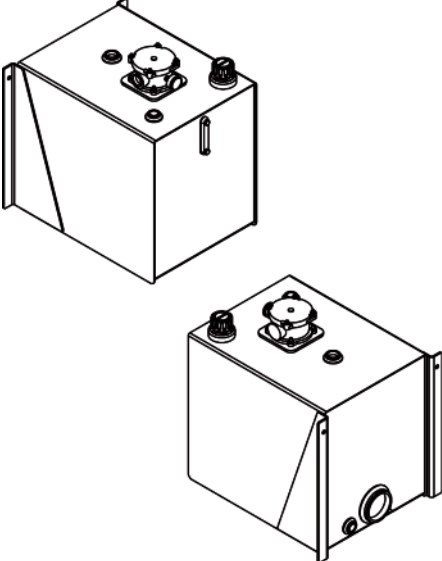
STAND ALONE FRAME MOUNT TANK (Continued)

Part Number	Stock Item	Length	Depth	Height	Material	Capacity	Diagram
00105324		15.27	28.52	28.14	MS, SS	30 Gal	
00120682		24.02	20	21.89	MS, SS	30 Gal	
00140386	Stock	30.52	22.89	18.54	MS, SS	30 Gal	
00144308		30.52	20.14	18.51	MS, SS	30 Gal	

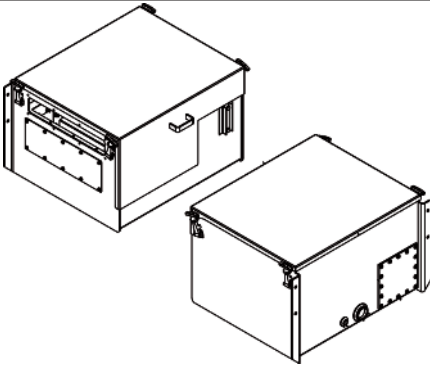
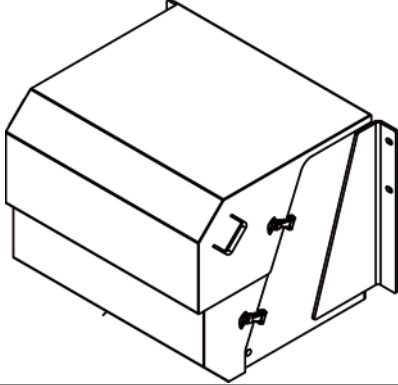
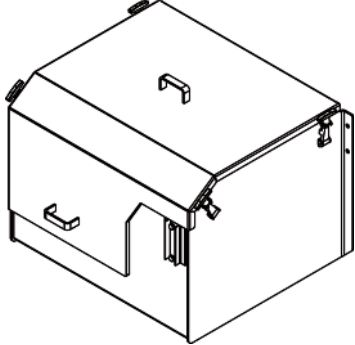
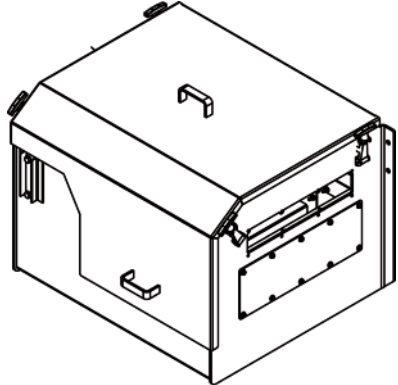
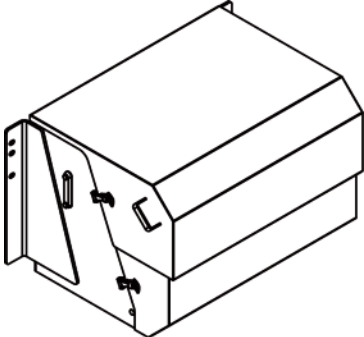
STAND ALONE FRAME MOUNT TANK (Continued)

Part Number	Stock Item	Length	Depth	Height	Material	Capacity	Diagram
00037709		39	19.4	21.2	MS	30 Gal	
00019983	Stock	23.27	27.89	25.04	MS, SS	40 Gal	
00120642		23.77	27.89	23.83	MS, SS	40 Gal	

STAND ALONE FRAME MOUNT TANK (Continued)

Part Number	Stock Item	Length	Depth	Height	Material	Capacity	Diagram
00102010		24.39	27.89	29.04	MS, SS	50 Gal	
00137000		24.39	27.89	29	MS, SS	50 Gal	

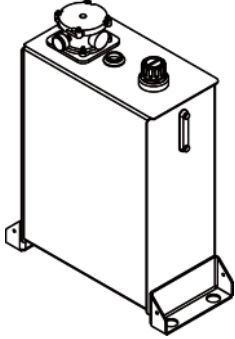
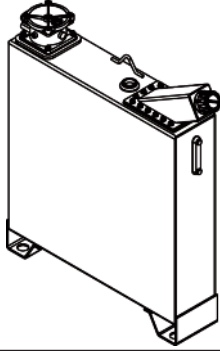
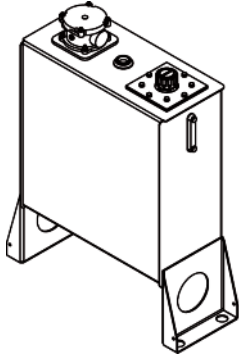
FRAME MOUNT TANK/ENCLOSURE COMBINATION

Part Number	Stock Item	Length	Depth	Height	Material	Capacity	Diagram
00140300		36.5	28.59	21.57	MS, SS	30 Gal	
00125450		39.13	31.06	27.64	MS, SS	32 Gal	
00105900	Stock	36	28.59	24.57	MS, SS	35 Gal	
00106250		36	28.59	24.57	MS, SS	35 Gal	
00133180		46.38	31.02	27.84	MS, SS	35 Gal	

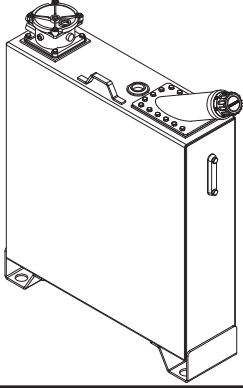
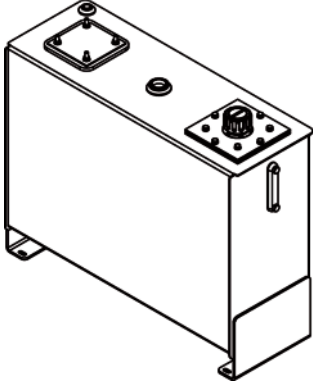
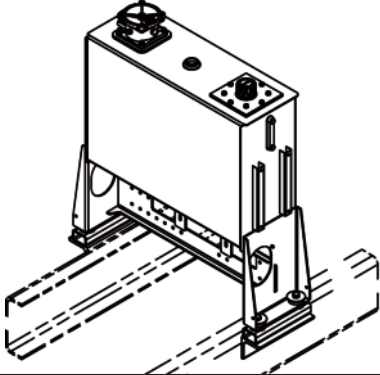
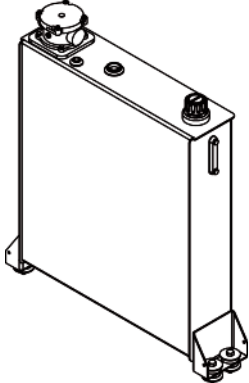
FRAME MOUNT TANK/ENCLOSURE COMBINATION *(Continued)*

Part Number	Stock Item	Length	Depth	Height	Material	Capacity	Diagram
00143136	Stock	35.65	30.67	29.19	MS, SS	35 Gal	

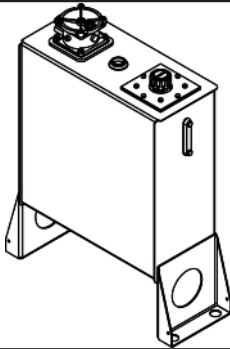
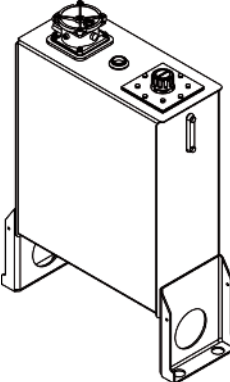
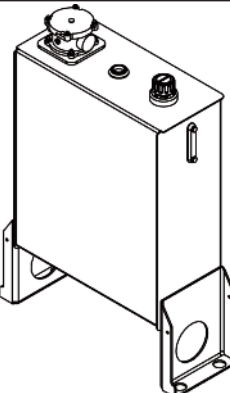
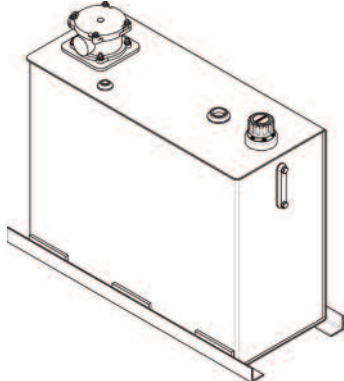
BEHIND-THE-CAB MOUNTED TANK

Part Number	Stock Item	Length	Depth	Height	Material	Capacity	Diagram
00139692		28.27	12.64	36.17	MS, SS	30 Gal	
00125853		33.25	8	39.75	MS, SS	32 Gal	
00125510		33.27	12.64	42.29	MS, SS	35 Gal	

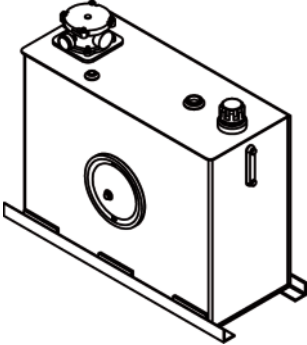
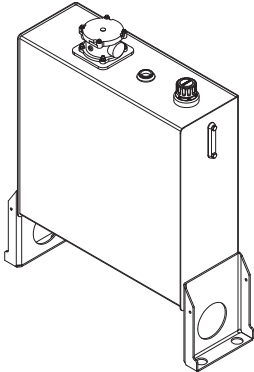
BEHIND-THE-CAB MOUNTED TANK (Continued)

Part Number	Stock Item	Length	Depth	Height	Material	Capacity	Diagram
00142146		33.25	9.25	41.62	Alum.	36 Gal	
00121930		35.02	12.64	29.83	MS	37 Gal	
00137930		40.27	12.64	42.39	MS, SS	37 Gal	
00094606		39.38	8.75	43.90	MS, SS	38 Gal	

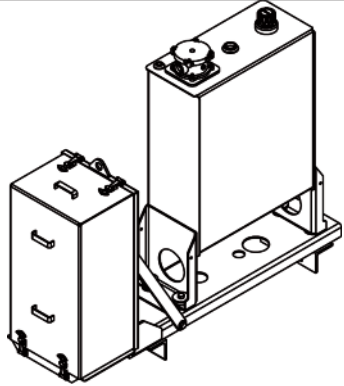
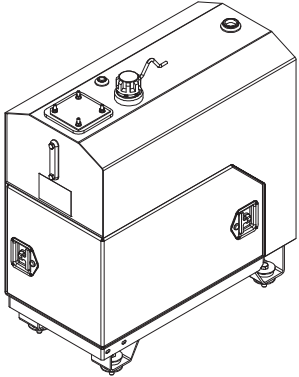
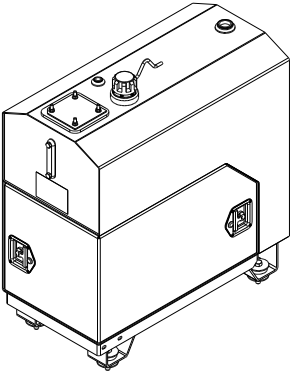
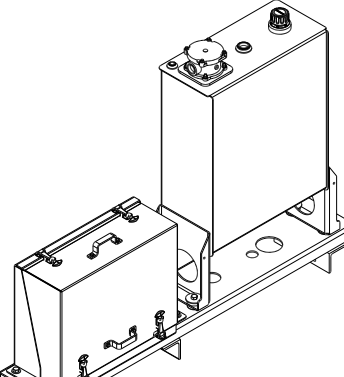
BEHIND-THE-CAB MOUNTED TANK (Continued)

Part Number	Stock Item	Length	Depth	Height	Material	Capacity	Diagram
00078692		33.29	12.64	42.38	MS, SS	40 Gal	
00110550		33.27	12.64	46.89	MS, SS	40 Gal	
00120663		33.27	12.64	46.79	MS, SS	40 Gal	
00125500		40.38	15.13	31.96	MS, SS	50 Gal	

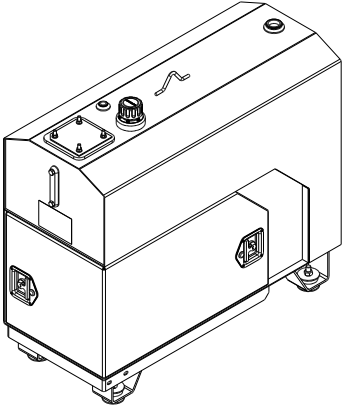
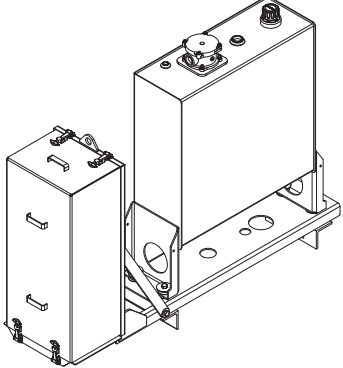
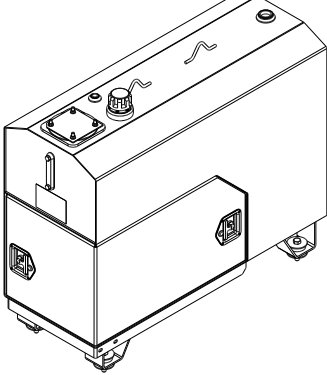
BEHIND-THE-CAB MOUNTED TANK (Continued)

Part Number	Stock Item	Length	Depth	Height	Material	Capacity	Diagram
00139668		40.38	15.13	31.96	MS, SS	50 Gal	
00149388		40.27	12.27	46.79	MS, SS	50 Gal	

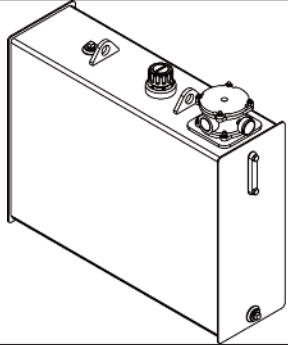
BEHIND-THE-CAB MOUNTED TANK/ENCLOSURE COMBINATION

Part Number	Stock Item	Length	Depth	Height	Material	Capacity	Diagram
00133970		64	18.27	49.85	MS, SS	40 Gal	
00141843		36.11	18.39	39.31	SS	40 Gal	
00153786		36.11	18.39	39.31	MS	40 Gal	
00156481		72	14.1	49.85	MS, SS	40 Gal	

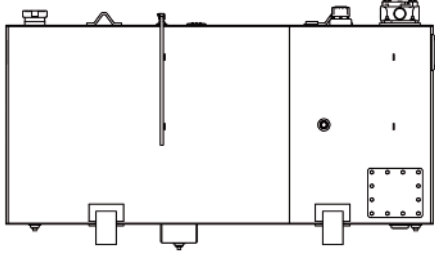
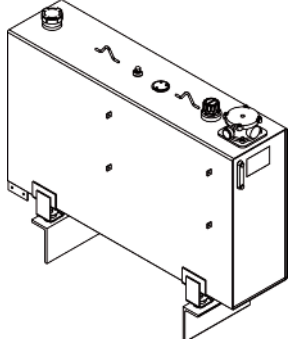
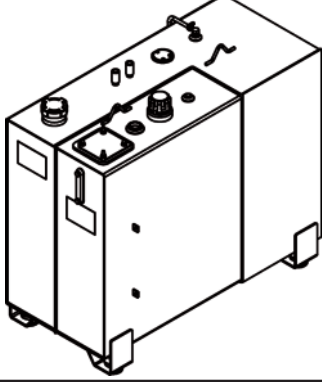
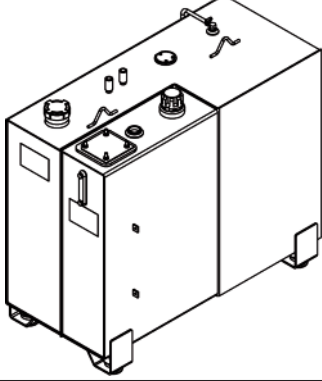
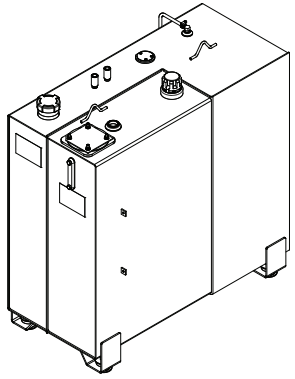
BEHIND-THE-CAB MOUNTED TANK/ENCLOSURE COMBINATION *(Continued)*

Part Number	Stock Item	Length	Depth	Height	Material	Capacity	Diagram
00155229		43.6	19.39	41.64	MS, SS	44 Gal	
00147736		71.03	18.27	49.83	MS, SS	50 Gal	
00156280		46.6	19.39	41.749	MS, SS	50 Gal	

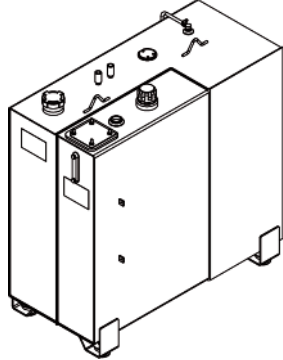
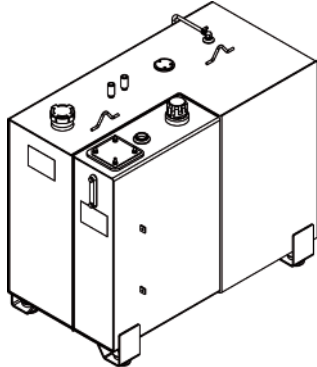
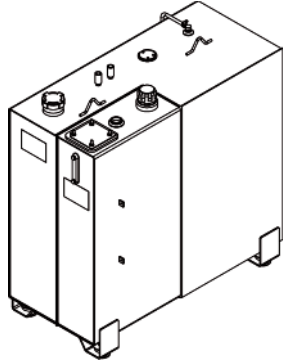
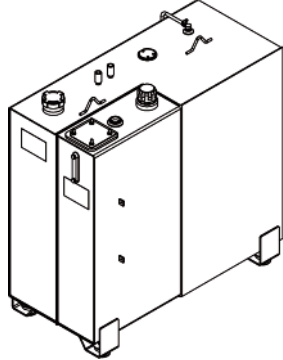
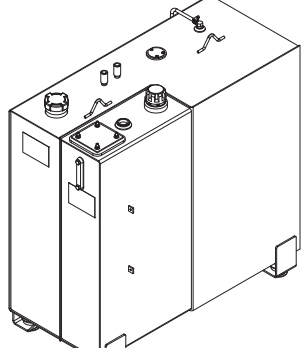
RECTANGULAR TANK, NO MOUNT

<i>Part Number</i>	<i>Stock Item</i>	<i>Length</i>	<i>Depth</i>	<i>Height</i>	<i>Material</i>	<i>Capacity</i>	<i>Diagram</i>
00136704		36.38	11.5	31.77	MS	40 GAL	

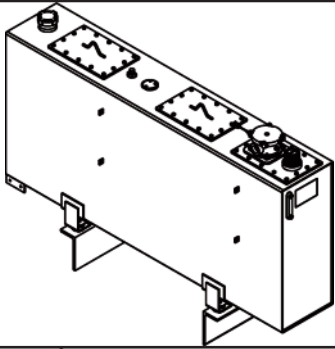
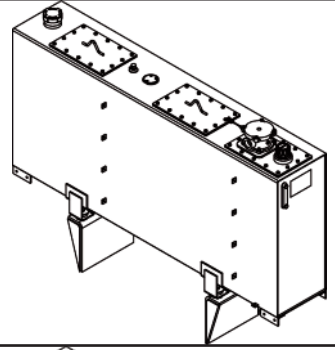
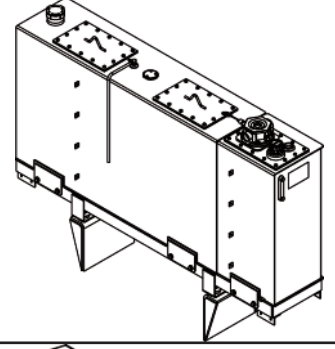
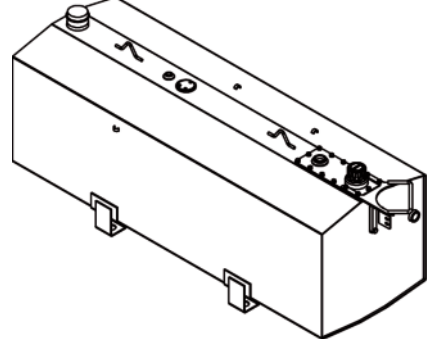
BEHIND-THE-CAB FUEL/OIL TANK

Part Number	Stock Item	Length	Depth	Height	Material	Capacity	Diagram
00131473		74	13.5	42.27	MS	80 FUEL/ 30 OIL	
00117475		59	15.5	42.27	MS	80 FUEL/ 31 OIL	
00140390		46	21.5	40.69	MS	85 FUEL/ 40 OIL	
00133977		46	21.5	40.69	MS	96 FUEL/ 30 OIL	
00160356		46	21	46.69	MS	100 FUEL/ 50 OIL	

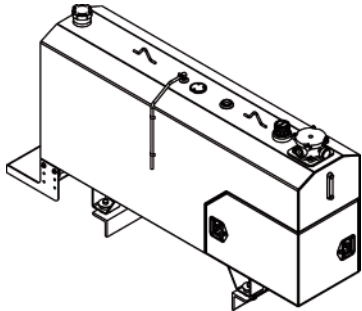
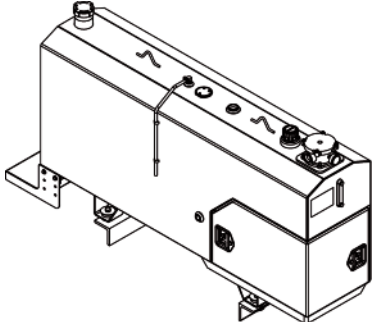
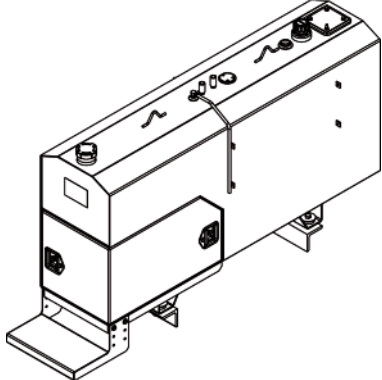
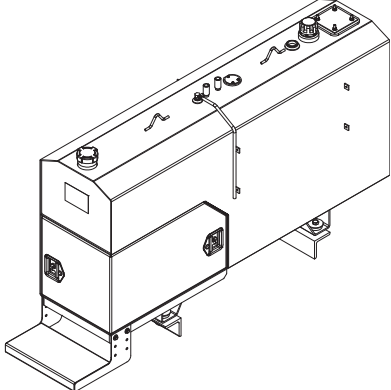
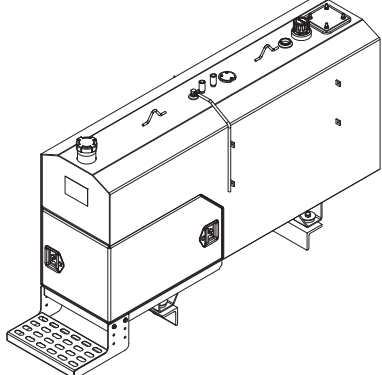
BEHIND-THE-CAB FUEL/OIL TANK (Continued)

Part Number	Stock Item	Length	Depth	Height	Material	Capacity	Diagram
00137028		46	21.5	46.69	MS	110 FUEL/ 40 OIL	
00131400		46	24.5	40.69	MS	115 FUEL/ 30 OIL	
00136223		46	21.5	46.69	MS	120 FUEL/ 30 GAL	
00136275		46	21.5	46.69	MS	120 FUEL/ 30 OIL	
00149385		46	21	47	SS	120 FUEL/ 30 OIL	

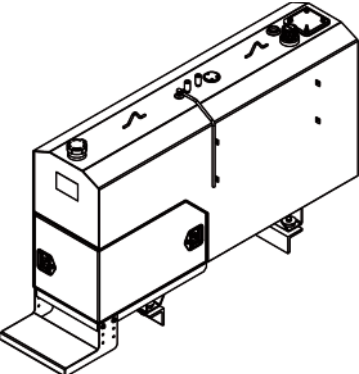
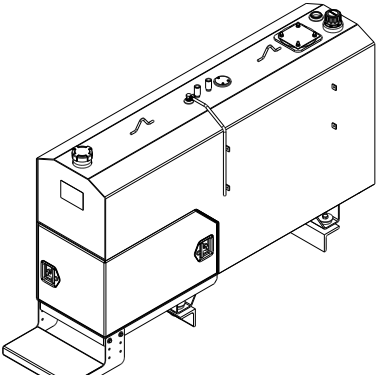
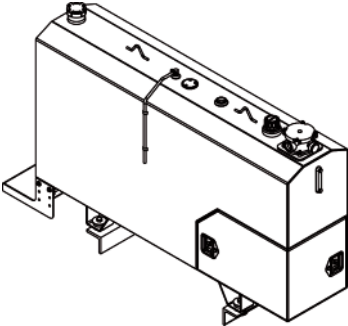
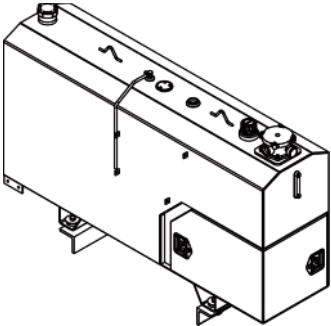
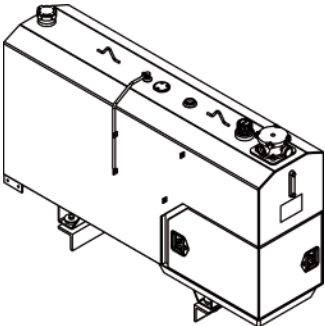
BEHIND-THE-CAB FUEL/OIL TANK (Continued)

Part Number	Stock Item	Length	Depth	Height	Material	Capacity	Diagram
00111100		77	15.5	42.71	MS	123 FUEL/ 31 OIL	
00118950		77	15.5	42.72	MS	123 FUEL/ 31 OIL	
00124472		77.38	16.53	44.92	MS	123 FUEL/ 31 OIL	
00051290		72	25.02	30.18	MS	126 FUEL/ 35 OIL	

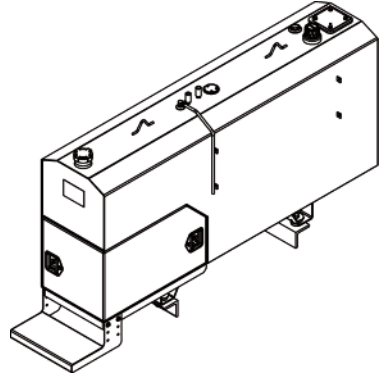
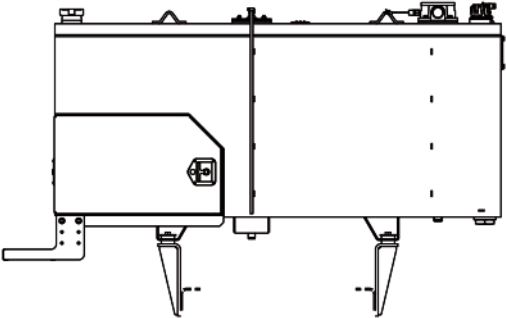
BEHIND-THE-CAB FUEL/OIL TANK & VALVE ENCLOSURE

Part Number	Stock Item	Length	Depth	Height	Material	Capacity	Diagram
00106682		72.19	17.19	39.77	MS	80 FUEL/ 30 OIL	
00124860		72.19	17.37	39.76	SS	80 FUEL/ 30 OIL	
00128117		72	18.5	40.56	MS	85 FUEL/ 38 OIL	
00143127		81.31	20.50	46.06	MS	85 FUEL/ 38 OIL	
00145123		81.31	20.50	44.14	SS	85 FUEL/ 38 OIL	

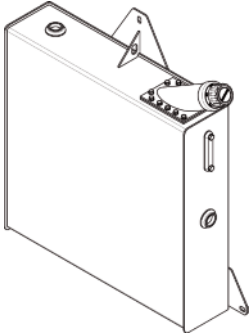
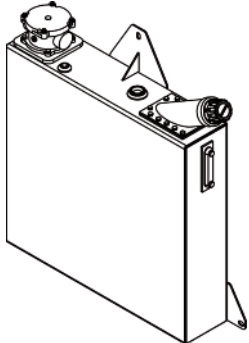
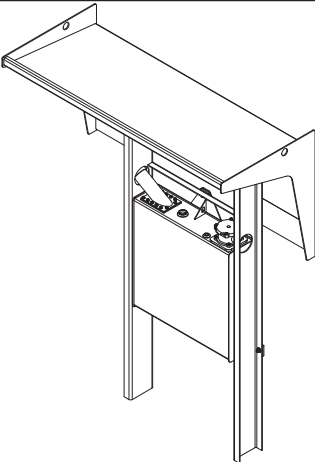
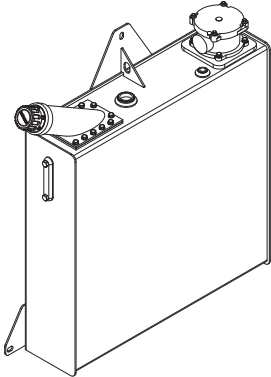
BEHIND-THE-CAB FUEL/OIL TANK & VALVE ENCLOSURE (Continued)

Part Number	Stock Item	Length	Depth	Height	Material	Capacity	Diagram
00139615		72	18.5	43.06	MS	100 FUEL/ 35 OIL	
00156498		72	18.5	43.06	MS	100 FUEL/ 35 OIL	
00106650		72.19	17.13	45.77	MS	100 FUEL/ 40 OIL	
00110219		72.19	18.5	43.77	MS	100 FUEL/ 40 OIL	
00124822		72.19	18.5	43.77	MS	100 FUEL/ 40 OIL	

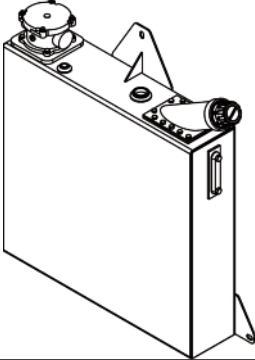
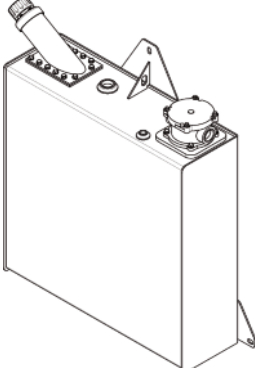
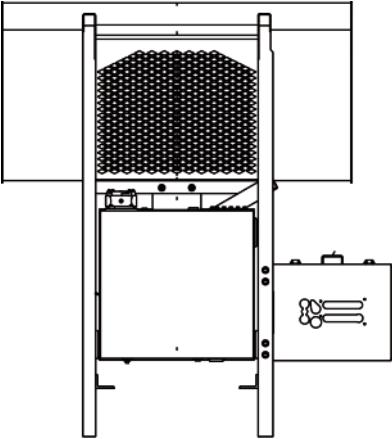
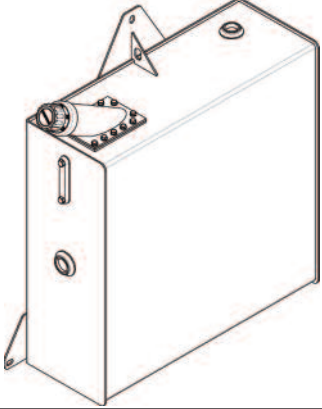
BEHIND-THE-CAB FUEL/OIL TANK & VALVE ENCLOSURE (Continued)

Part Number	Stock Item	Length	Depth	Height	Material	Capacity	Diagram
00131445		80	18.5	42.56	MS	120 FUEL/ 35 OIL	
00140316		80	18.5	42.67	MS	120 FUEL/ 35 OIL	

CABSHIELD MOUNTED TANK

Part Number	Stock Item	Length	Depth	Height	Material	Capacity	Diagram
00052772		33.5	8.38	32.75	MS	33.5 Gal	
00093904		33.5	8	36.52	33.5 Gal		
00127862	w/ Cabshield	76	32.88	105	MS, SS	33.5 Gal	
00143117		39.75	8.94	36.90	MS/SS	33.5 Gal	

CABSHIELD MOUNTED TANK (Continued)

Part Number	Stock Item	Length	Depth	Height	Material	Capacity	Diagram
00130611		33.5	8	36.51	SS	35.5 Gal	
00136452		32.75	10.38	36.90	MS	40 Gal	
00142965		75.88	32.5	94.56	MS	50 Gal	
00134321		33.5	12.5	32.75	MS	50 Gal	



Monroe Truck Equipment
1051 W. 7th Street
Monroe, WI 53566
608-328-8127
www.monroetruck.com

Distributed by: