

ILU

4000 | 5000 lbs. Capacity

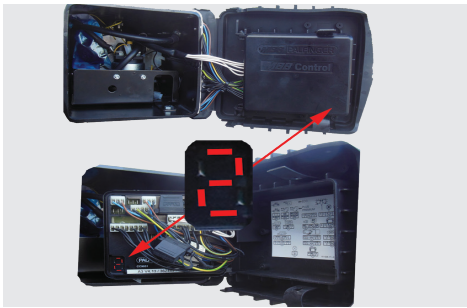
PALFINGER

LIFETIME EXCELLENCE

**VALUE ADDED FEATURES, PLATFORM SIZE
AND CAPACITY FOR THE FLEET OPERATOR**

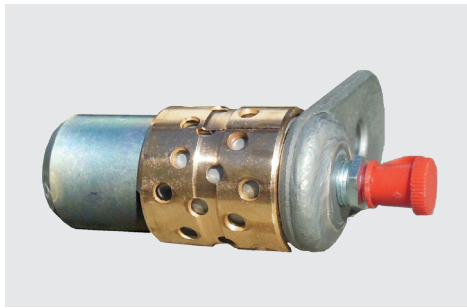


HIGHLIGHTS



SMART CONTROLS READY FOR TELEMATICS
 TO MAKE YOUR EQUIPMENT SMARTER

The Control System, now with built-in visible diagnostics, provides you the status of your lift and can assist you with quickly diagnosing low voltage as well as other problems. Other features include built-in cycle counting, and a re-settable service counter. It's ready for today's telematics technology to provide feedback to fleet management through your truck's CAN bus system. The PC board is now mounted in a sealed heavy duty hinged enclosure.



BUSHINGS AND GREASE ZERKS
 TO CUT DOWN ON COSTLY REPAIRS

The corrosion-protected hardened pins, together with perforated bushings, are able to load up with grease for minimized service intervals, all while going the distance. This is just a small sample of all of the details that go into the ILU to make it an extremely low maintenance liftgate.



SIMPLICITY & DURABILITY
 PROVIDE MAXIMUM VALUE

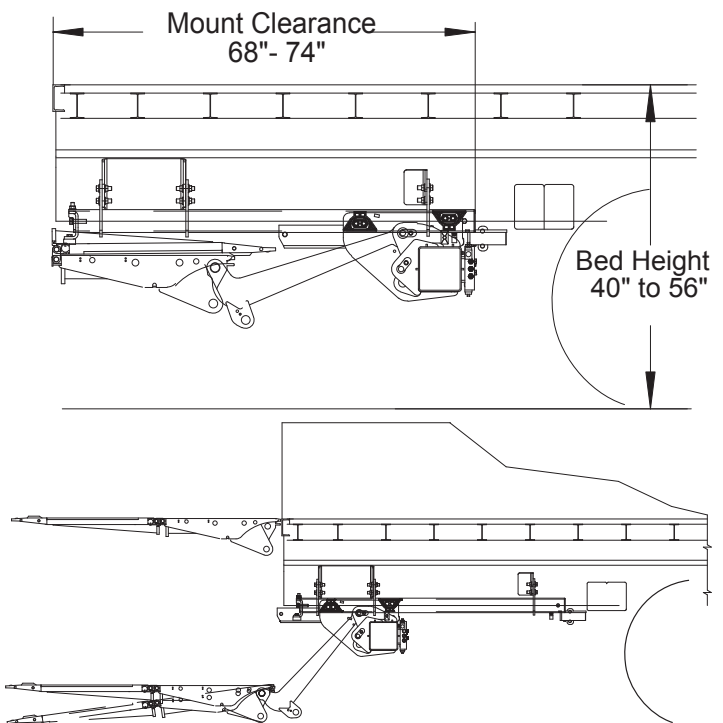
The e-coated rapid mount steel slide assembly in combination with a rugged steel - aluminum platform provides affordable installation solutions and low life cycle cost. By the turn of a knob, the liftgate slides out from under the vehicle on low maintenance slide blocks. After unfolding the torsion assisted platform tip with minimal effort, the liftgate is ready for use.

STANDARD FEATURES

- » E-coat + powder top coat with 5 year corrosion warranty
- » True level ride with automatic ground tilt
- » Torsion assisted platform tip
- » Bushings and zerks at all pivot points
- » Platform Warning lights
- » Cart stops
- » Foot controls
- » Hydraulic cylinder locks
- » Dual post thermo protected motors
- » Lockable control box with on-off switch
- » Hand held remote control
- » Ground roller to protect soft loading pavement

OPTIONS

- » Auxiliary truck and trailer battery charge kits
- » Truck & Trailer quick mount kits
- » Trailer rapid mount bolt on kits
- » Trail charge systems
- » 50-250W Solar charge systems
- » Wireless remote controls
- » Removable side rails
- » Tire blow out protection plates



Model	Lifting Capacity (lbs.)	Platform Length (Inches)	Platform Width (Inches)	Bed Height (Inches)	Approx. Weight (lbs.)	Mount Clearance (Inches)
ILU 40	4000	67 - 74	94	40 - 56	1300	68 - 74
ILU 50	5000	67 - 74	94	40 - 56	1400	68 - 74