

USB 2.0 - 40 Mbps PCM Bit Sync/Decom/Simulator



Applications

- Portable preflight test
- Data analysis
- Data archival
- Flight test instrumentation

Features

- USB 2.0 peripheral with bit synchronizer, data decommutator, and simulator
- Bit synchronizer
 - TTL, RS422, LVDS or analog selectable data inputs
 - NRZ-L/M/S or RNRZ-L input codes at rates 0.030 to 30 Mbps; BiØ-L/M/S input codes at rates 0.030 to 15 Mbps
- Data decommutator/BERT
 - Enhanced IRIG-106 Chapter 4 and Chapter 8 compatible
 - Input rate up to 40 Mbps
 - TTL, RS-422 or LVDS selectable external data and clock inputs
 - Bit synchronizer internal input data and clock
 - Onboard frame time tag - IRIG B, host time or elapsed
 - PseudoRandom pattern receiver with error measurement: 7, 9, 11, 15, 20 or 23 type patterns
- Playback/simulator
 - Regenerate archived PCM data at programmable rates of up to 40 Mbps
 - Generate a programmable PCM format
 - PseudoRandom pattern generator: 7, 9, 11, 15, 20 or 23 type patterns
 - Provides all IRIG-106 PCM data outputs with coherent clock
- IRIG-B time code reader and generator
- Windows compatible driver software included
- Supported by third party data analysis software

Description

The DBS-140U combines the functions of a bit synchronizer, data decommutator and simulator into a USB 2.0 peripheral. Bit synchronizer functionality provides full-featured clock reconstruction, data recovery and code conversion. Recovered PCM data and clock are routed to a data decommutator, bit error rate tester and output multiplexer. The data decommutator provides full IRIG frame synchronization and data decommutation at rates up to 40 Mbps. PCM processed by the decom is selected by the user. Data and clock sources include the bit synchronizer output and external differential/single-ended receivers. Decommuted data words and time tags (elapsed, Host time or IRIG-B) are made available to the computer via the USB port for analysis, archival, and monitoring. The bit error rate tester provides closed loop link testing by measuring the errors in the bit synchronizer data output. A simulator function allows playback of archived data from the computer via the USB port, transmission of programmable PCM format data or generation of pseudo-random patterns. Simulator data and clock are routed to the output multiplexer. Selected output, bit synchronizer or simulator is buffered by differential and single-ended drivers.

Revision 05/11/2015

DBS-140U Datasheet

©2015 Teletronics - A Curtiss-Wright Company
Specifications subject to change without notice.

Approved for Public Release 15-S-1621



CAIS
Compatible



Management
System
AS9100C
ISO 9001:2008

Teletronics - A Curtiss-Wright Company

15 Terry Drive, Newtown, PA 18940

phone: 267.352.2020 fax: 267.352.2021 Sales@ttcdas.com

www.ttcdas.com

DBS-140U – USB 2.0 - 40 Mbps PCM Bit Sync/Decom/Simulator

Technical Specifications

General Specifications

Operating configuration: The DBS-140U unit can be connected to any Windows XP or 7 compatible Host computer with USB 2.0 ports

Processor: 8051 type with a Serial Interface Engine to handle USB transfers

I/O: Provides Interfaces for the following: USB 2.0 Serial Port, Decom Inputs (LVDS, RS422 or SE), Playback Outputs (LVDS, RS422 or SE), IRIG-B AC and DC Inputs, Isolated General Purpose Outputs

Serial Inputs

Types: TTL Single-ended, RS422 Differential, Low Voltage Differential Signaling (LVDS), Analog

Data rate:

TTL - minimum 30 Kbps; maximum 5 Mbps for NRZ codes or 2.5 Mbps for BiØ codes.

RS-422 - minimum 30 Kbps; maximum 20 Mbps for NRZ codes or 10 Mbps for BiØ codes.

LVDS - minimum 30 Kbps; maximum 40 Mbps for NRZ codes or 15 Mbps for BiØ codes.

Analog - minimum 30 Kbps; maximum 30 Mbps for NRZ codes or 15 Mbps for BiØ codes.

Note: Data inputs to the Bit Synchronizer are limited to the maximums of 30 Mbps for NRZ codes and 15 Mbps for BiØ codes

Signal characteristics:

TTL - Terminated by 10 KØhm to Ground. Buffered by NC7WZ14PX (or equivalent). Normal or Inverted data. 0 or 180 degree clock.

RS-422 - Terminated by 120 Ohm. Buffered by RS-422 compatible receiver with open, shorted or terminated input failsafe. Normal or Inverted data. 0 or 180 degree clock.

LVDS - Terminated by 100 Ohm. Buffered by EIA-644 compatible receiver with open, shorted or terminated input failsafe. Normal or Inverted data. 0 or 180 degree clock.

Analog -

- Impedance - 50 Ohm, 75 Ohm or > 1 KØhm.
- Level - 0.1 to 20 Vpp.
- Offset - ±10 VDC.
- Amplitude - ±10V combined level and offset

Serial Outputs

Types: TTL Single-ended, RS422 Differential, Low Voltage Differential Signaling (LVDS)

Data rate:

TTL - minimum 30 Kbps; maximum 5 Mbps for NRZ codes or 2.5 Mbps for BØ codes.

RS-422 - minimum 30 Kbps; maximum 20 Mbps for NRZ codes or 10 Mbps for BiØ codes.

LVDS - minimum 30 Kbps; maximum 40 Mbps for NRZ codes or 15 Mbps for BiØ codes

Signal characteristics:

TTL - Driven by NC7WZ14PX (or equivalent). Normal or inverted data. 0 or 180 degree clock. Enable or Disable (outputs driven to logic "0"). Cable length less than 3ft.

RS-422 - Driven by a RS-422 compatible driver. Normal or inverted data. 0 or 180 degree clock. Enable or Disable (outputs Tri-state).

LVDS - Driven by an EIA-644 compatible driver. Normal or inverted data. 0 or 180 degree clock. Enable or Disable (outputs Tri-state)

Source: Simulator or Bit Sync (Note: each source can feed multiple output types)

USB Port

Type: USB 2.0

Signaling bit rates: High Speed (480 Mbps)

Transfer rate: 5 Mbytes per second (8 bpw @ 40 Mbps)

Direction: Uni-directional, transmit or receive

Bit Synchronizer

Serial input: TTL Single-ended, RS422 Differential, Low Voltage Differential Signaling (LVDS), Analog

Input codes: NRZ-L/M/S, BiØ -L/M/S or RNRZ-L. (Note: RNRZ-L uses the IRIG-106 compliant De-randomizer (Modulo 15) in the Forward direction)

Performance: Loop Bandwidth - 0.03% Bit Rate (nominal); Acquisition Range - 1200 ppm Bit Rate; Tracking Range - 1200 ppm Bit Rate

Output codes: NRZ-L/M/S, BiØ -L/M/S or RNRZ-L. (Note: RNRZ-L uses the IRIG-106 compliant Randomizer (Modulo 15) in the Forward direction)

Serial output: TTL Single-ended, RS422 Differential, Low Voltage Differential Signaling (LVDS)

DBS-140U Datasheet

©2015 Teletronics - A Curtiss-Wright Company

Specifications subject to change without notice.

Approved for Public Release 15-S-1621

Teletronics - A Curtiss-Wright Company

15 Terry Drive, Newtown, PA 18940

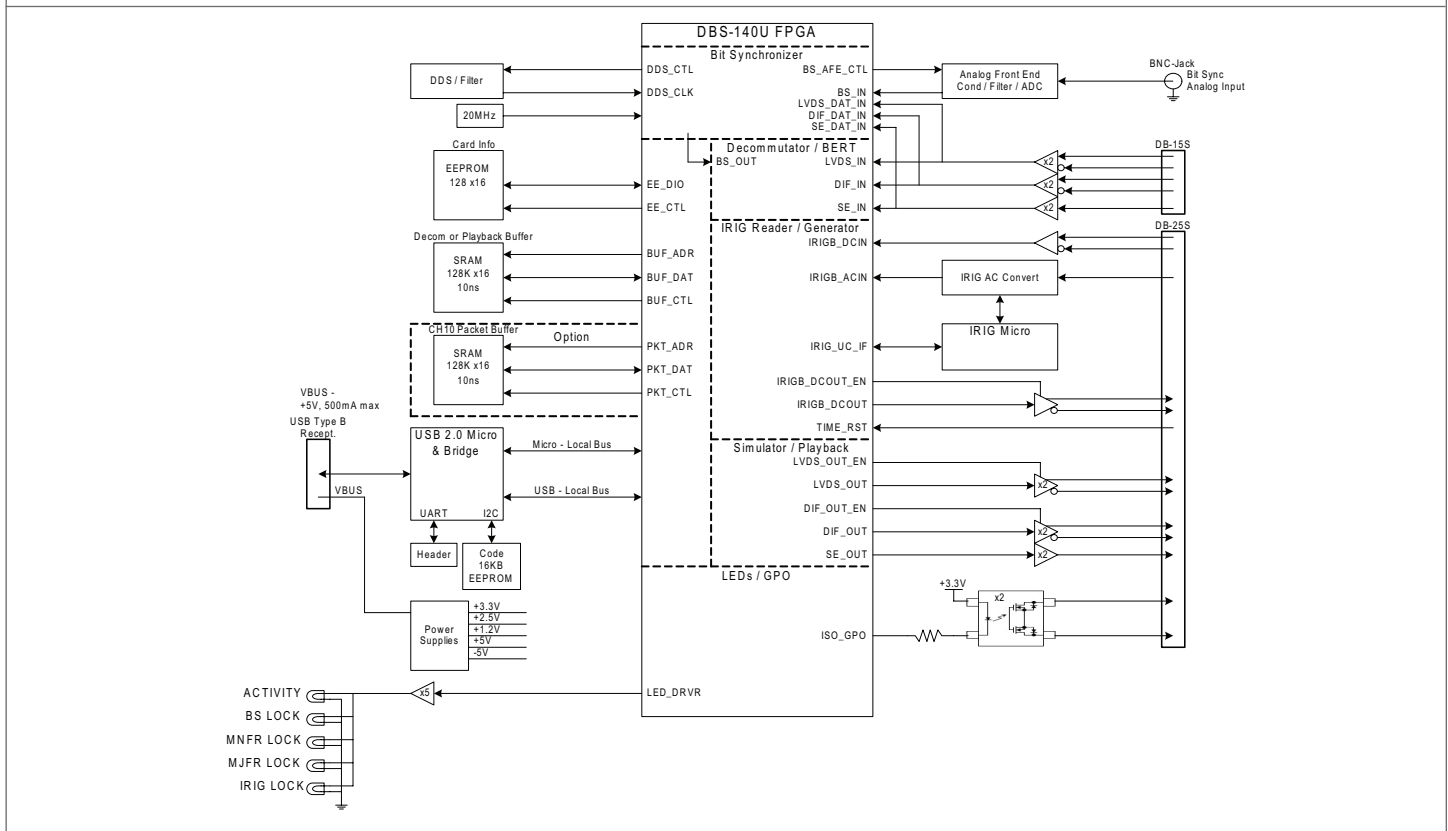
phone: 267.352.2020 fax: 267.352.2021 Sales@ttcdas.com

www.ttcdas.com

DBS-140U – USB 2.0 - 40 Mbps PCM Bit Sync/Decom/Simulator

Technical Specifications

High Level Block Diagram



Decommulator

Serial input: TTL Single-ended, RS422 Differential, Low Voltage Differential Signaling (LVDS), Internal Bit Sync

Input codes: NRZ-L or RNRZ-L. (Note: RNRZ-L uses the IRIG-106 compliant De-randomizer (Modulo 15) in the Forward direction)

Bits per word: 8 to 16 bits (fixed word size). (Note: Chapter 8, 24 bits per word support by programming to 12 bpw and concatenating 2 words in the Host)

Bits per minor frame: 8 words to 64K bits

Minor frames per major frame: 1 to 256 frames

Minor frame sync bits: 16 to 32 bits

Minor frame sync mask: 16 to 32 bits

Search, check and lock errors allowed: 0 to 15 bit errors

Bit slip window: 0, ±1, ±2, ±3 bits

Good frames to acquire lock: 1 to 16 frames

Bad frames to drop lock: 1 to 16 frames

Major frame sync modes:

SFID - Subframe ID Count. Any word in the minor frame.

URC - Unique Recycle Code. Any word in the first minor frame.

FCC - Frame Code Complement. Minor frame pattern in the first minor frame

Simulator

Modes: Playback, Fixed Format or PseudoRandom Bit Pattern (PRB Pattern)

Rate: 30 Kbps to 40 Mbps

Rate generator: Digital Direct Synthesizer (DDS) in 1 Hz steps or Crystal oscillator in discrete frequencies. Crystal frequency = $(80 / N) / 2$ MHz, $N = 1$ to 255 (Note: When DDS generated, the Bit Synchronizer function is not available)

Bits per word: 8 to 16 bits. Applies to Playback or Fixed Format

Data source:

Playback - 128 Kword FIFO. Data streamed into the FIFO by Host via the USB port.

Fixed Format - 2 Kwords (maximum) SRAM table. Data pre-loaded into the table by Host via the USB port.

PRB Pattern - $2^7 - 1$ (127 bits), $2^9 - 1$ (511 bits), $2^{11} - 1$ (2047 bits), $2^{15} - 1$ (32767 bits), $2^{20} - 1$ (1048575 bits), $2^{23} - 1$ (8388607 bits), All ones, All zeros or Dotting (1010)

Output codes: NRZ-L/M/S, BiØ -L/M/S or RNRZ-L. (Note: RNRZ-L uses the IRIG-106 compliant Randomizer (Modulo 15) in the Forward direction)

Serial output: TTL Single-ended, RS422 Differential, Low Voltage Differential Signaling (LVDS)

DBS-140U Datasheet

©2015 Teletronics - A Curtiss-Wright Company

Specifications subject to change without notice.

Approved for Public Release 15-S-1621

Teletronics - A Curtiss-Wright Company

15 Terry Drive, Newtown, PA 18940

phone: 267.352.2020 fax: 267.352.2021 Sales@ttcdas.com

www.ttcdas.com

DBS-140U – USB 2.0 - 40 Mbps PCM Bit Sync/Decom/Simulator

Technical Specifications

Time Code Reader/Generator

Capability: Elapsed (time starts from 0), Host (Host sets initial time) or IRIG-B Synchronized

Inputs: Amplitude modulated (AC) or unmodulated (DC) IRIG-B per IRIG-200

Modulated input: Amplitude modulated signal, single-ended signal levels of 0.5 Vpp up to 10 Vpp and nominal modulation ratio of 3:1

Unmodulated input: Unmodulated signal, differential, TTL per RS-422

Acquisition and tracking: Automatically synchronizes to the externally applied input. Will “Flywheel” upon removal of external input and will reacquire upon reapplication of external input

Internal time base: The internal time base stability over the operating temperature range is ± 2 ppm during the “flywheel” mode

Time word formats: Three 16-bit time words are provided. High Time, Low Time and Micro Time. All time word data is per IRIG-106-96 encoding

Time output: Provides IRIG-B DC output for connection to other equipment

Time reset: Low active, used only when Elapsed mode is selected. Activating “Time Reset” forces the time tags to reset to 0

LEDs

Number: Five (5), Yellow/Green

Status:

USB Activity:

- Green, Blinking - Data transfers occurring over the USB port.

BitSync Lock:

- OFF - Disabled

- Yellow - Trying to Lock

- Green - Locked to the data and recovering Clock.

Minor Lock:

- OFF - Disabled

- Yellow - Search

- Green - Decommutator Locked to the Minor frame.

Major Lock:

- OFF - Disabled

- Yellow - Search

- Green - Decommutator Locked to the Major frame.

IRIG Lock:

- OFF - Disabled

- Yellow - Trying to Lock

- Green - IRIG time code reader Locked to IRIG-B input

Bit Error Rate Tester

Serial inputs: TTL Single-ended, RS422 Differential, Low Voltage Differential Signaling (LVDS), Internal Bit Sync

Pattern: $2^7 - 1$ (127 bits), $2^9 - 1$ (511 bits), $2^{11} - 1$ (2047 bits), $2^{15} - 1$ (32767 bits), $2^{20} - 1$ (1048575 bits), $2^{23} - 1$ (8388607 bits)

Synchronization: < 20% errors detected during any 128 bit window

Error insert: Single, 10^{-1} , 10^{-2} , 10^{-3}

Error status: Bits received - 32 bit counter, cleared on read. Bits in Error - 32 bit counter, cleared on read

General Purpose Outputs

Output driver: Two (2) optically isolated outputs, type TLP172A

Reference: All outputs share a common reference (ISO_GPO_RTN)

Output impedance: 6.0 ohms maximum (in the “ON” condition)

Maximum current: Up to 40 mA continuous on each output

Peak off-state voltage: 60 VDC maximum with respect to Digital Ground

Isolation: 1000 Mohms minimum with respect to Digital Ground

Logic: The outputs provide a “switch” closure to GPO_ISO_RTN when activated

General Requirements

Input voltage: 4.75 VDC to 5.25 VDC, supplied by USB

Input power: 2.5 Watts nominal

Grounding: Chassis connected to USB power return

Operating temperature: 0°C to +50°C (box ambient)

Storage temperature: -20°C to +85°C

Weight: 11.85 oz. (337 grams)

Dimensions: Basic housing: 5.50” L x 3.00” W x 1.125” H

Basic housing plus mounting ears and connector protrusion: 6.00” L x 3.75” W x 1.125” H

Ordering Information

USB 2.0 Bit Sync, Decom, Simulator DBS-140U-1

Programming software application Included

DBS-140U Datasheet

©2015 Teletronics - A Curtiss-Wright Company

Specifications subject to change without notice.

Approved for Public Release 15-S-1621

Teletronics - A Curtiss-Wright Company

15 Terry Drive, Newtown, PA 18940

phone: 267.352.2020 fax: 267.352.2021 Sales@ttcdas.com

www.ttcdas.com