

DP-5000

PC Based Compact Printer



PC Based

- **User Friendly 8.4" TFT Touch Screen**
 - Display can be adjusted to fit operator's viewing preference
- **Linerless Labels (Option)**
 - Auto-label-sizing feature eliminates unused space on the label and automatically adjusts the label size. This reduces the label cost and making labels more attractive.
- **User friendly extra-large 12.1" color touch screen**
 - Label print content can be previewed on the display. Size, color and location can be changed to suit your operation.
- **Easy Cassette Loading**
 - Front loading label mechanism and large label roll for more efficient pre-packing.



Specifications

Labels

General

Power source	AC 100V / 220V
Power consumption	80W
Dimensions	422.6 mm (W) x 220(D) x 407.5(H) mm 16.64 in (W) x 8.66 in (D) x 16.04(H) in
Operating Temperature	-10°C to +40°C
Operation humidity	15%~ 85% RH (max.) with no condensation
I/O Interface	USB, Ethernet 10/100 Base-T, RS-232 (Mini DIN), SD pocket
Weigh	10.8kg
CPU	iMX31 533MHz
Optional Interface	Wireless LAN (IEEE 802.11b/g)
Barcode Type	Interleave 2 of 5, EAN-8, EAN-13, EAN-128, RSS, PDF417 (for receipt only)

Items Printed on Label

- Price
- Content
- Multi-Barcode
- Discount Price
- Commodity Name
- Ingredients
- Special Message
- Shop Name
- Dates: Packed on Date, Consume by Date
- Times: Packed on Time, Consume by Time
- Image
- Frames
- Nutrifacts
- Country of Origin
- Others

Items Printed on Receipt (Report)

- Shop Name
- Commodity Name
- Price
- Total Price
- Discount Price
- Sub Total
- Tax
- Grand Total
- Total Item Quantity
- Barcode
- Date
- Time
- Clerk Number
- Receipt Number
- Machine Number



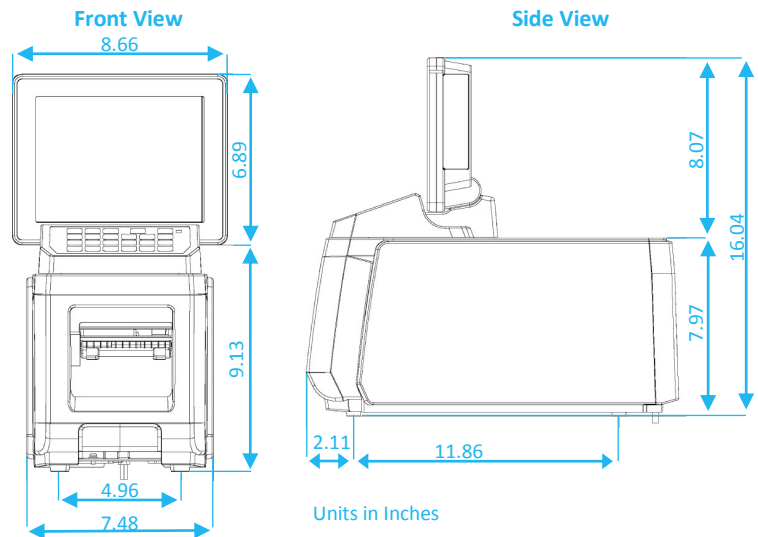
Printing Mechanism

Type	Thermal Printer
Dot Density	12 dot/mm (300 dpi)
Printing Width	Max 80 mm (3.1 inches)
Printing Length	240 mm (9.45 inches)
Label Size	Width: 80 mm (3.1 inches) Length: 240 mm (9.45 inches)
Label roll Diameter (Outer)	Max. 125 mm (4.92 inches)
Label roll Diameter (Inner)	40 mm (3.0 inches)

Operation Console

Display Panel	8.4" TFT SVGA with touch panel
Operator display	+/-30 degree left and right; 90 degree up and down
Memory	Factory default 256MB / 512 MB DDRAM 133MHZ SD Card 8GB

Printer Dimensions



New Brunswick International, Inc.

Corporate Headquarters
76 Veronica Ave
Somerset, NJ 08873
TEL: (732) 828-3633
FAX: (732) 828-4884

West Coast Office
530 West Central Ave. Suite C
Brea, CA 92821
TEL: (714) 671-7911
Fax: (714) 671-0798

www.nbidigi.com

