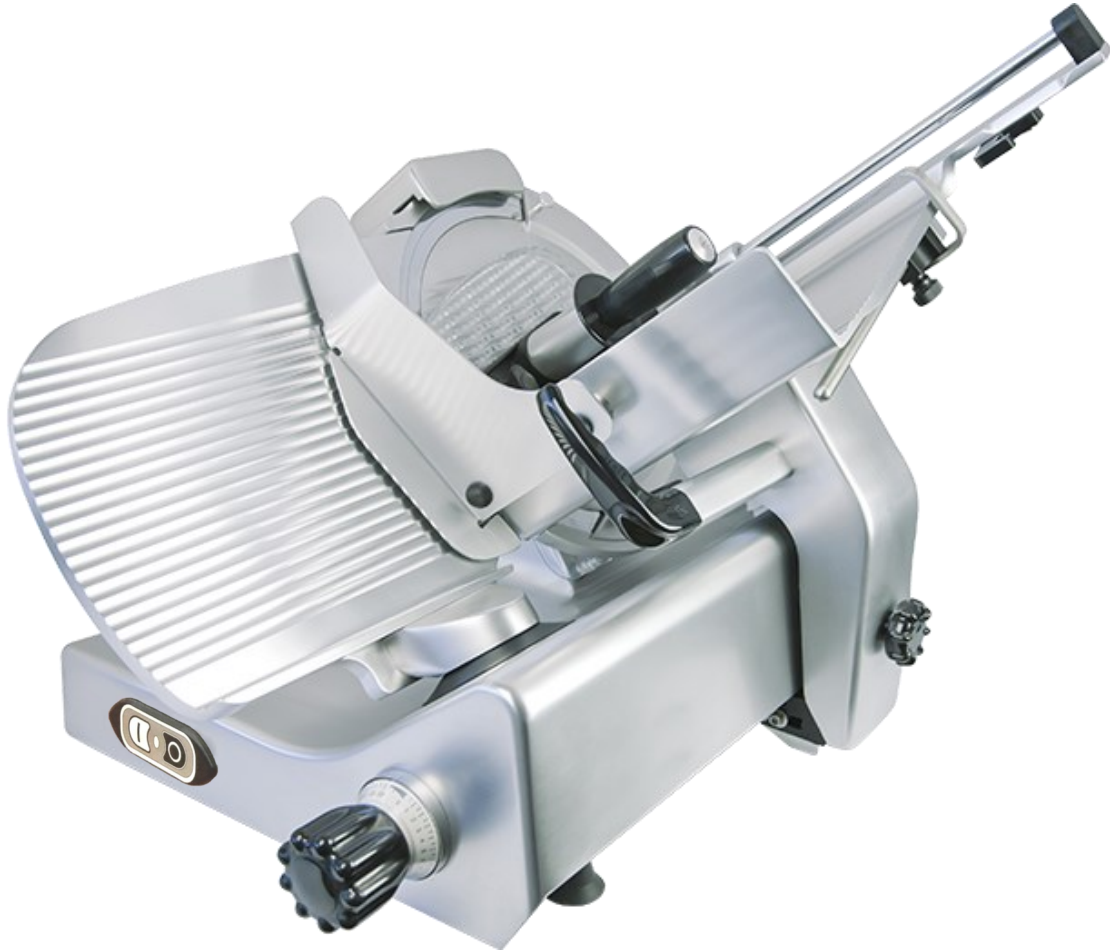


330 IK US

NBI 
MANCONI

Semi-Automatic Gravity Feed Slicer

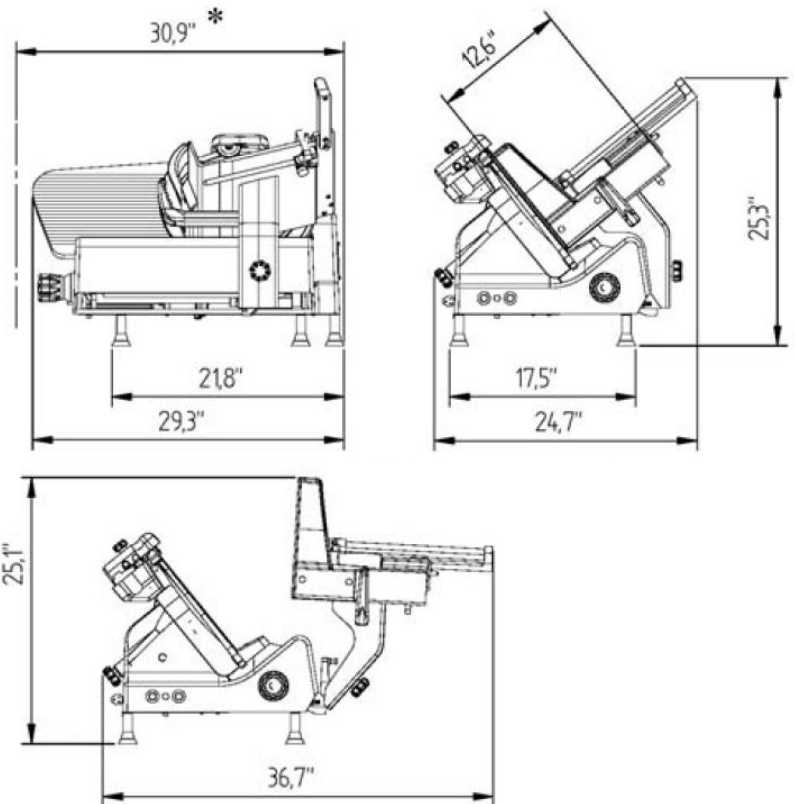


- Gear driven motor
- 13" blade diameter
- Integrated knife Sharpener
- Integral motor overload protection
- Electrical protection IPX3
- Ergonomic operating height

Retail Scales, Automatic Wrapping Systems & Slicers
NEW BRUNSWICK INTERNATIONAL, INC.

Features

- 13" Semi -Automatic slicer
- Durable long lasting finish
- Precision slicing mechanism minimizing waste
- Integrated knife Sharpener
- Blade with enhanced cutting sections
- Integral motor overload protection
- Easy to load (low loading height); reduces operator strain.
- Operator safety & cleaner working area
- Sharpened remnant holder removable, easy to clean saves time
- Carriage with spiked and swinging remnant holder
- Reduced foot counter space deflector for easy cleaning
- Perfect slip grooves for a more performing sliding movement
- Adjustable food fence
- Self-locking clamping device



* Overall measurements with product holder at the end of its stroke



Technical Features- 330 IX SA US Specifications

Overall Dimensions	23.9 x 20 x 18.9in
Horsepower	Gear driven motor
Blade diameter	13" dia
Blade speed	255 rpm
Slice thickness	0 to .94 in
Electrical Protection	IPX3 (Motor IPX5)
Net weight	106 lbs
Electrical Specifications	120V/60Hz /360W a.c. Monophase
Cutting Capacity	Ø 240 mm - □290 x 210mm

New Brunswick International, Inc.



Corporate Headquarters
 76 Veronica Ave
 Somerset, NJ 08873
 TEL: (732) 828-3633
 FAX: (732) 828-4884

West Coast Office
 530 West Central Ave. Suite C
 Brea, CA 92821
 TEL: (714) 671-7911
 Fax: (714) 671-0798

www.nbidigi.com