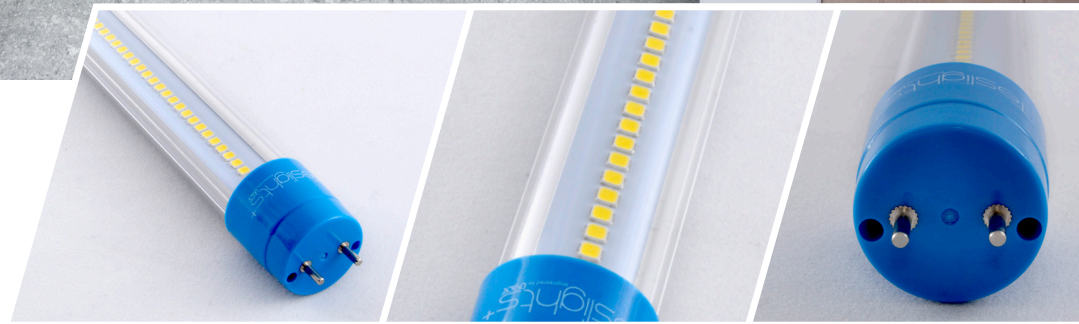




Smart LED T8



The images are merely illustrative, some technical features and accessories may be changed without notice



December 2016

Product Description

Available in a variety of configurations, the T8 LED finds new dimensions of value with Teslights integrated sensor and smart control technologies. Measurable gains to efficiencies result from layering these incremental improvements to design concepts. New technologies by Teslights now deliver substantial reductions to energy consumption by as much as 70%, while simultaneously improving the quality of illumination, and extending operating life. Teslights T8 is proudly environmentally friendly and designed to improve durability, resistance to shock, impact, and vibrations. Manufactured in Teslights facility under carefully controlled quality standards, the T8 is available in both Standard and Premium product lines for both instant economic advantage, and directing advanced Smart LED applications.

Key Features

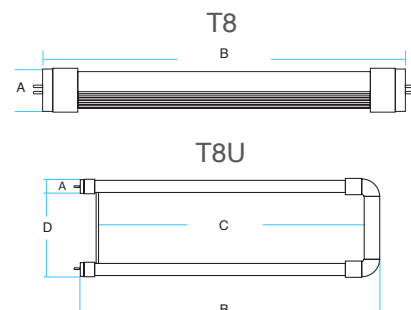
T8 LEDs find new dimensions of value with Teslights integrated sensor and smart control technologies.

- Eligible for PG&E Deemed Rebate Program
- 190 lumens per watt with our T8 10W
- 150 lumens per watt with our T8 6W, 7W, 9W, 12W, 18W, 20W & 22W
- 120 lumens per watt with our T8 5W, 7W, 12W, 18W, 20W & 30W
- Easy installation
- Modular manufacturing process
- Highly efficient driver
- 5 year factory warranty
- No rewiring of fixture, minimizing replacement and maintenance costs

Product Specifications

LED package:	SMD 2835
Power consumption:	4 - 36W ±5%
Input voltage:	100~277V AC 50/60Hz
Efficacy:	Up to 190 lm/W
THD:	<15%
P.F.:	>0.98
CRI:	>84
Dimming:	For internal driver: Yes For external driver: Yes (0-10V)
Material:	6030 aluminum alloy and polycarbonate lens cover
Beam angle:	120°
IP rating:	IP44
Fire rating:	94V0
Operating temperature:	-25°C ~ + 45°C
Lifespan:	Up to 50,000 hours

Product Measurement



Model	Measures (AxB)
T81	Ø26x288 mm
T82	Ø26x588 mm
T83	Ø26x894 mm
T84	Ø26x1198 mm
T85	Ø26x1498 mm
T86	Ø26x1768 mm
T88	Ø26x2368 mm
Model	Measures (AxBxCxD)
T8U	Ø26x565x540x180 mm



Ordering Guide

Example: T84S10M190C50S

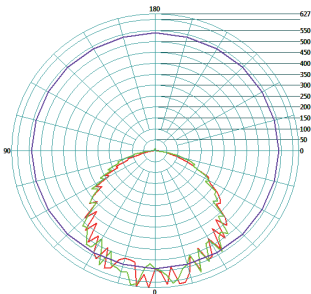
Type	Length		Dim or non-dim		Watts		Driver/Power		Efficiency		Cover		CCT		Input Type	
T8	4	2'	S	Non-dimmable	10	7 W	M	Internal	120	120 lm/W	C	Clear	30	3000K	S	Single End
			P	Dimmable	06	6 W	E	External	150	150 lm/W	F	Frost	41	4100K	D	Double End
					07	7 W			190	190 lm/W			50	5000K		
					05	5 W	M	Internal								
					07	7 W	E	External								
	4	4'	S	Non-dimmable	10	10 W	M	Internal	190	190 lm/W						
			P	Dimmable	15	15 W	E	External	150	150 lm/W						
					12	12 W	M	Internal								
					15	15 W	E	External								
					18	18 W	M	Internal	120	120 lm/W						
							E	External								

Note: We can also produce T81, T82, T83, T84, T85, T86, T88 and T8U Shape in different Wattages, lumens variations and color temperatures. For more information contact your account manager.



Photometric Polar Diagram

Example: T84S10M190C50S

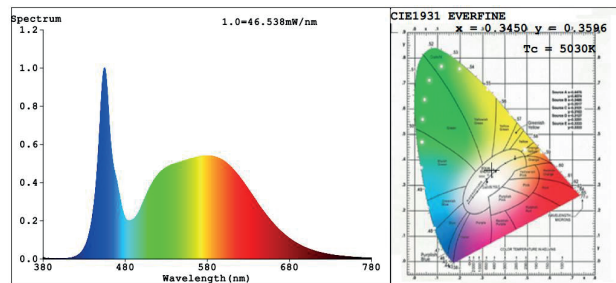


NOTE: If you need photometric information of this or another product, do not hesitate in contact us.



Spectral Power Distribution & Chromaticity Diagram

Example: T84S10M190C50S



Installation

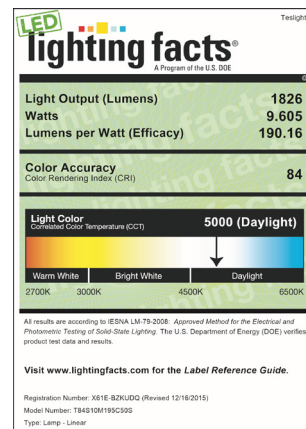
1. Turn off power of fixture
2. Carefully remove existing fluorescent lamps
3. Remove ballast cover
4. Disconnect line power from ballast/fixture
5. Cut all leads to lampholders leaving them as long as possible
6. Reconnect live and neutral power to the LED driver and then to the non-shunted lampholders on one side of the fixture
7. Install new LED T8 lamps power input end with rewired lamp holders
8. Apply warning stickers appropriately

NOTE: Reference www.teslights.com/Products for detailed installation instructions



LED lighting facts-World Record

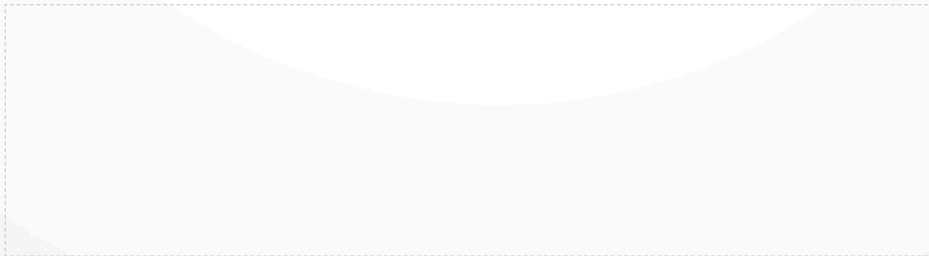
Example: T84S10M190C50S



For additional information, please contact us
www.teslights.com - info@teslights.com

Teslights+

engineered by SCALAMAX



World Headquarters
1405 Corporate Center Pkwy.
Santa Rosa, CA 95407
USA
+1 844 TESLITE
www.teslights.com - info@teslights.com