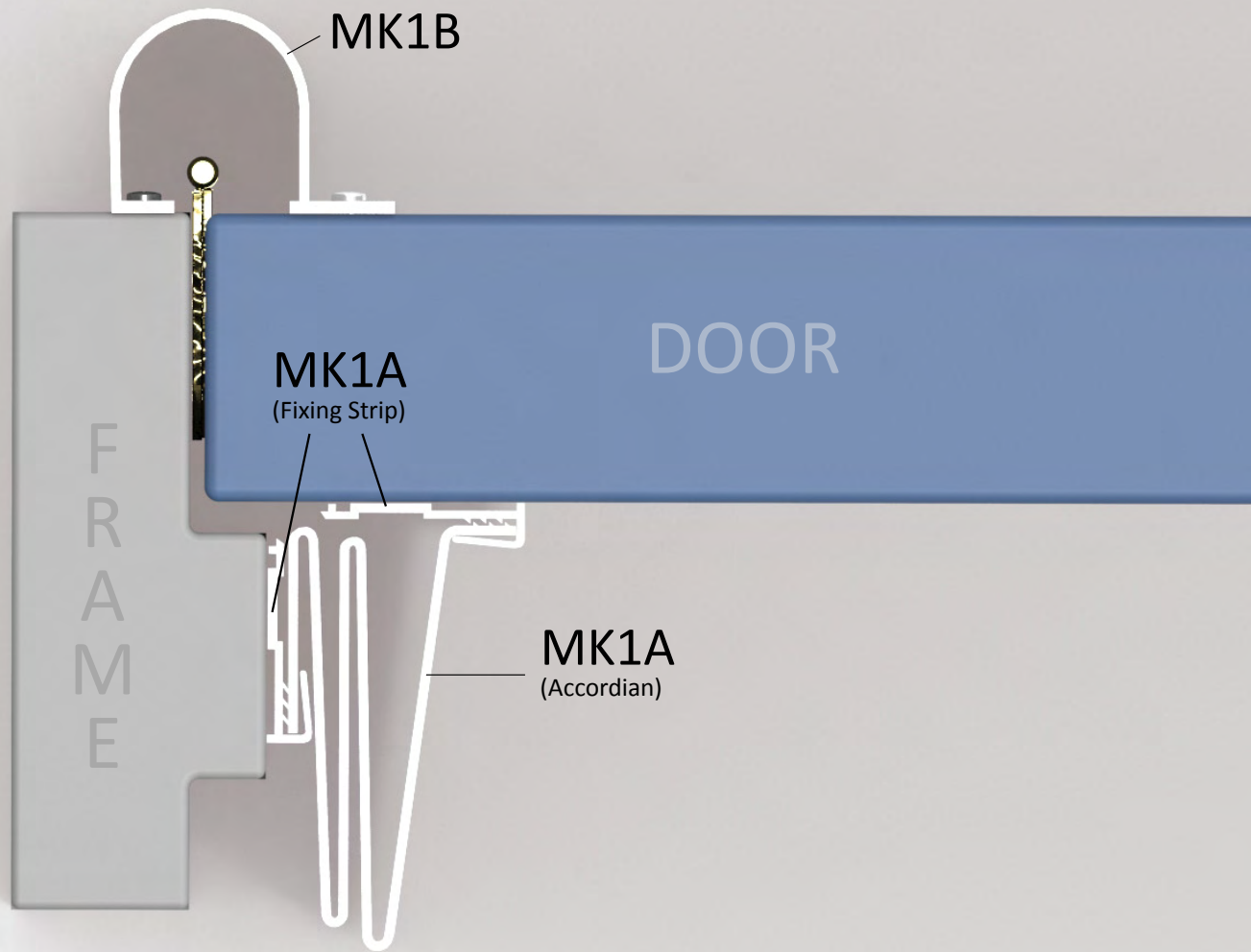


Table of Contents

PRODUCT OVERVIEW	1
MK1A	3
MK1B	4
MK1C	5
TOE GUARD	6
CHECKLIST FOR DOOR SAFETY	7
SELECTION OF DOOR SAFETY STANDARDS	8
INSTRUCTIONS	
MK1A	9
MK1B	12
MK1C	13
PRICE LIST	17
WARRANTY & DISCLAIMER	18
CSI: THREE PART SPECIFICATION	19
MK1A & MK1B TECHNICAL SPECIFICATION SHEET	23

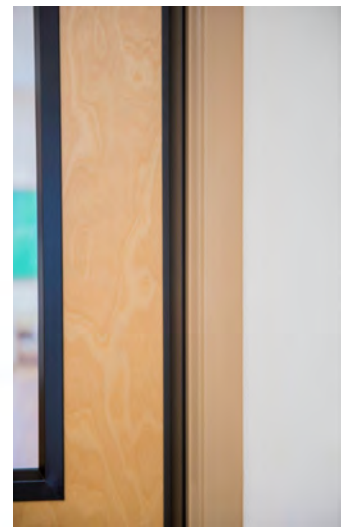
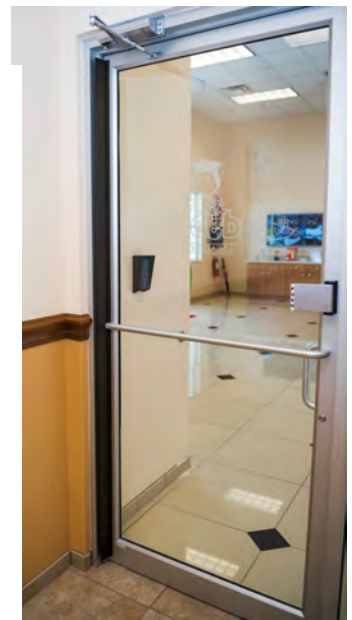


What is Fingersafe?

With some 300,000 reported incidents of amputated, mutilated or damaged fingers in doors per year, Fingersafe designed products to specifically prevent fingers from being damaged at the dangerous hinged end of doors. Besides the cost in trauma, treatment and disability, the owner or manager of a facility could be held responsible and incur litigation and claim costs for personal injury. Having identified the need in the market, Fingersafe products are now accepted nationally and internationally as a world leader in door safety. Since 1996, Fingersafe has paved the way to safer doors.

Made in the USA, Fingersafe is retrofitted to existing doors and is UL approved with a 4 hour fire door rating. Fingersafe is compatible with all types of standard hinged doors. Specific uses include: schools and other educational facilities, childcare and healthcare centers, homes for the elderly and infirm as well as residential use. It is commercially specified for restaurants, fast food outlets, as well as government and military buildings.

Fingersafe offers no resistance or restriction to the door operation and allows over 180 degrees of operation. It is available for use on each side of the hinged end of door. The MK1A is a flexible, accordion shaped fitting, positioned on the hinged end of the push side of the door and affixed to the door frame and the inside hinged edge of the door itself. When the door is closed the fitting is compressed, but when the door is opened the fitting extends and provides a protective covering over the hinged end space. The removable MK1A units are installed via a fixing strip which allows easy access to the hinge for maintenance. The MK1B is a flexible, curved fitting, positioned on the outward side of the door and fixed to the door frame and the outside edge of the door. When the door is closed the fitting forms a closed seal over the hinge. When the door is opened this fitting compresses and provides a stiff protective covering to the hinge and the space between door and frame. The MK1C units use the standard Fingersafe module together with a new fixing strip, allowing it to fit bi-fold doors, which are flush to the frames.



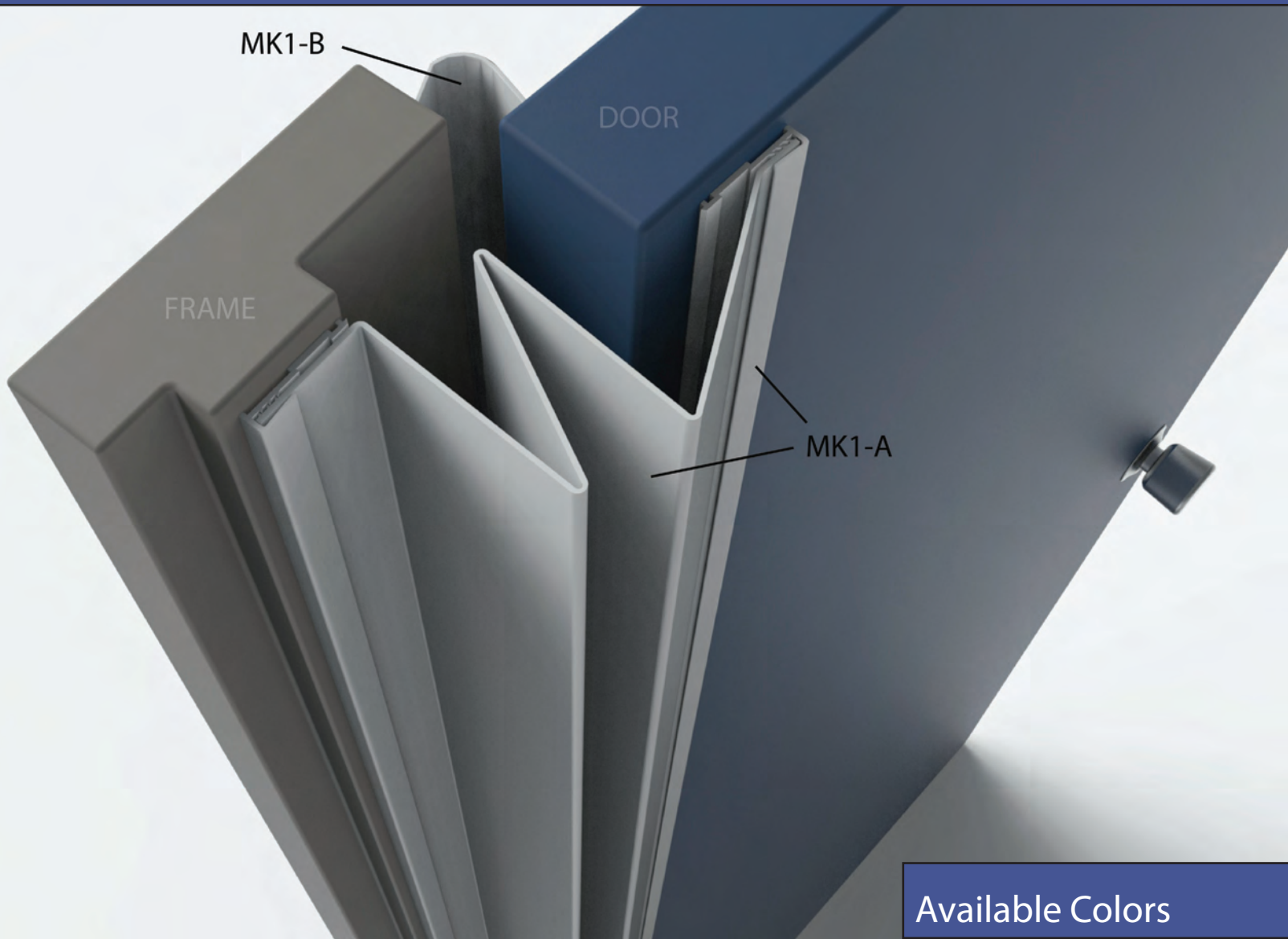
What are the benefits of Fingersafe products?

Safety and durability are primary benefits provided by Fingersafe. Unlike an inferior finger shield or wrap around devices, Fingersafe is aesthetically pleasing: the MK1A lies flat against the frame unobtrusively when the door is closed. It also offers draft exclusion and is a smoke inhibitor in the event of a fire. A secondary application is the MKIB as a sight seal or privacy guard, as well as suicide prevention.

Building owners may contact their insurance agent, broker or company and request a premium reduction as a result of having eliminated a source of workers' compensations, medical, third party and employers' liability.

MK1A

Hinged end/Push side of door- for standard hinged doors



Available Colors

Product Details

The MK1A Accordion piece is designed to actually eject fingers from being trapped or crushed in the "push" side of doors.

Product features include:

- Accordion piece lies flat against the frame for aesthetically pleasing design.
- Mounted to a fixing strip for easy installation and removal.
- Easily repaired and replaced without reinstallation
- Can be installed on interior or exterior doors. (Wood, Metal, Particle Board)
- Easy modification for doors with push bars and kick plates.
- Available in 80", 84", and 96" and can be custom cut to accommodate any door or gate.
- Compliant for commercial ADA applications and has a UL 4-hour fire door rating



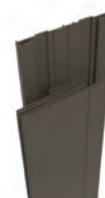
White



Gray



Black



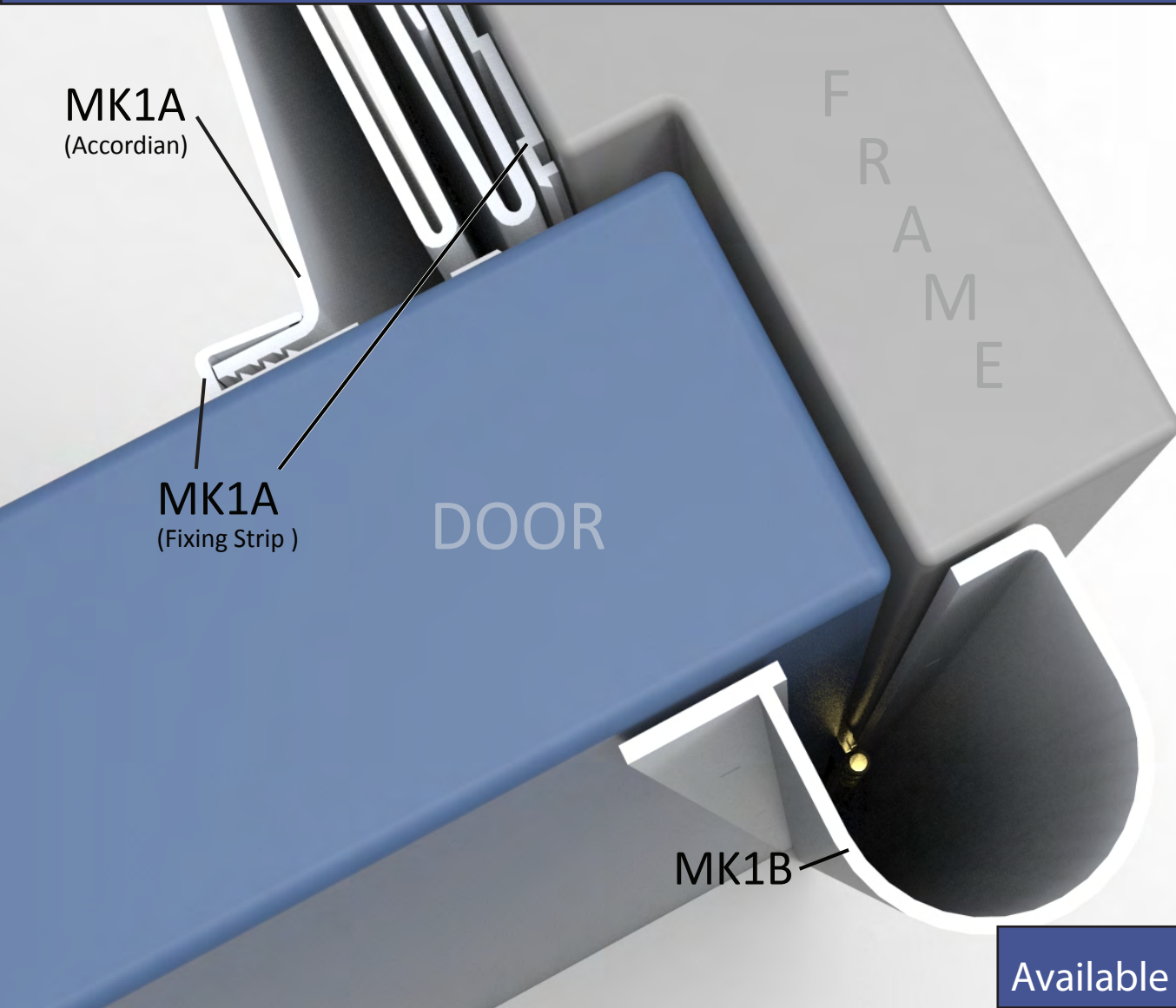
Brown



Almond

MK1B

Hinged end / Pull Side - for Standard Doors



Available Colors



Product Details

The MK1B is installed on the hinge-pin side or “pull” side. As with all Fingersafe products, this hinge guard protects fingers from the full length of the door.

- Initially developed for the US Government, this model affixes to the door frame and outside edge of the door forming a protective seal over the hinge-pins.
- Can be installed as a sight guard in bathrooms and medical facility doors.
- Can be installed on interior or exterior doors.
- Available in 80”, 84”, and 96” and can be custom cut to accommodate any door or gate.
- Compliant for commercial applications and has a 4-hour fire door rating.

MK1C

(MK1C for Flush Fitting or Bi-Fold Doors)



Available Color

Product Details

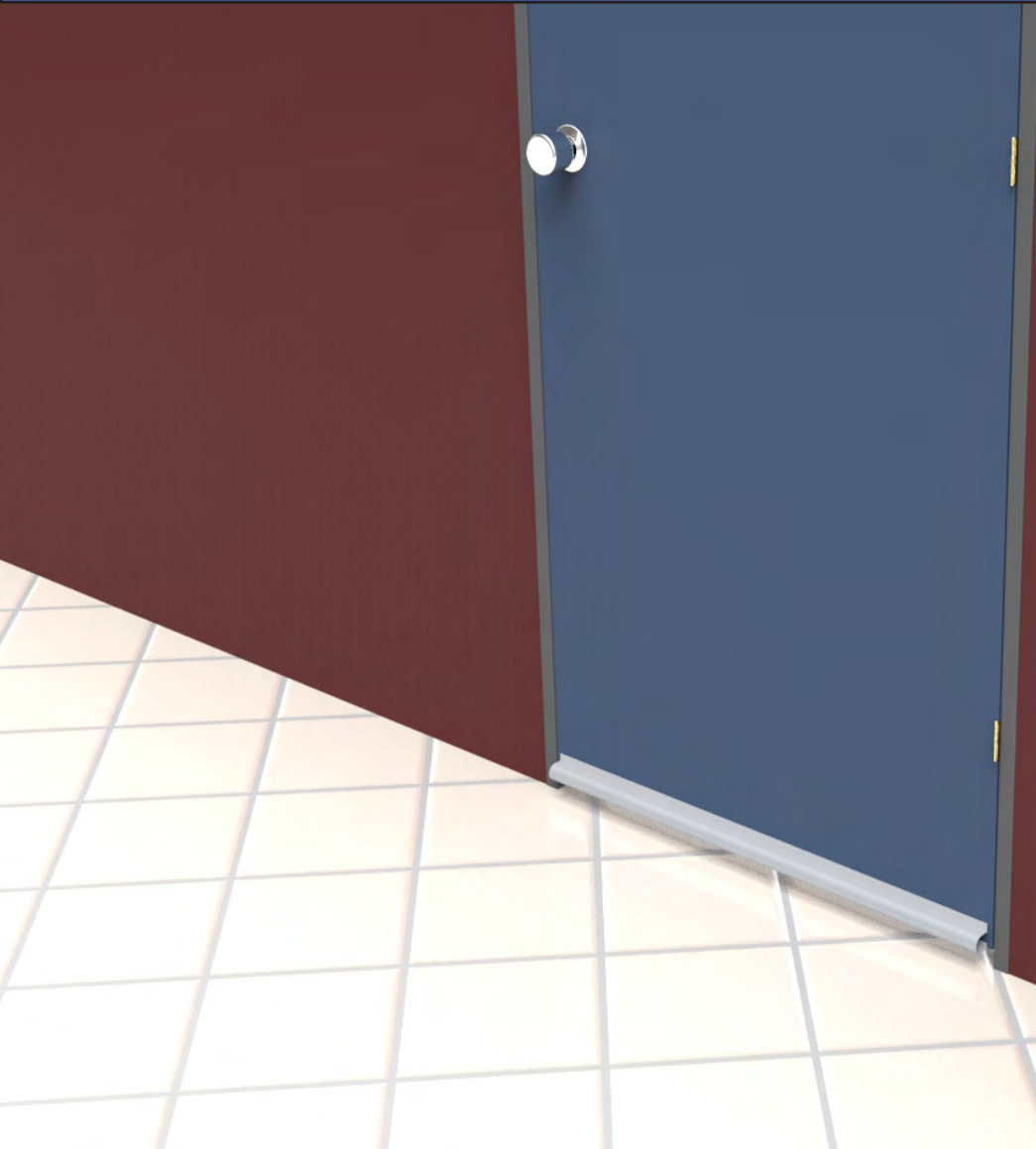
The MKI-C is designed for bi-fold and flush mount doors.

- Fits doors which are flush with the frame.
- Uses the MK1A module but has a unique fixing strip which keeps the product flat against the door and ejects fingers every time.
- Also used in utility trucks, the marine industry and industrial situations where doors close unexpectedly and are prone to injury.
- This product allows a full 5 inch door opening and can be modified to accommodate wider openings up to 8.5 inches.
- Only available in 80" white.



Only Available in 80" White

MK1B Toe Guard

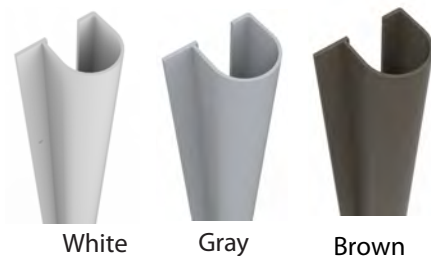


Available Colors

Product Details

Developed by request from our child care customers, the Toe Guard is a safe alternative to a door sweep.

- Model affixes to the bottom of the door with screws or 3-M adhesive provided
- Recommended for all aquatic center doors
- Can be installed on interior or exterior doors.
- Available in 36" length and can be custom cut to accommodate any door
- Compliant for commercial applications and has a 4-hour fire door rating.



Checklist for Door Safety

Doors are important, for without them there would be no security, no environmental control, no storage, no privacy; BUT doors can be inherently dangerous and there needs to be a degree of responsibility exercised by those who have control over those doors.

ALL DOORS IN YOUR FACILITY SHOULD OPERATE SMOOTHLY. THEY SHOULD OPEN, CLOSE AND LOCK WITH LITTLE EFFORT.

Some things to look out for in order to prevent door-related injuries are:

- (a) Ensure that the hinges are firmly installed and that the door is not “wobbly”.
- (b) Ensure that any door closers are correctly adjusted so that they pause for long enough to allow anything in the latch (doorknob) area, including hands, fingers and feet, to be removed quickly prior to that final slam.
- (c) If the door is fitted with a panic bar, the ends of which are so close to the door jambs when the door is closed that they create pinch hazards, consider having the panic bar shortened or replaced, so as to remove the pinch hazard.
- (d) If the door handle is of the type that the door may be easily opened by a young child, thereby allowing the child to leave the room unnoticed by the caregiver, you should consider replacing those handles or installing alarms, such as travel alarms, to sound if the door is opened.
- (e) When fitting door hinge guards, do ensure that they allow the door to open to its fullest extent. Remember that some doors open to 180° and any hinge guard that does not allow this is likely, nay, certain to pull away from the door, leaving the finger-pinch hazard still there! Try to avoid hinge guards that use glue as the method of attachment. If the surfaces to which these are attached are not properly prepared the hinge guards can easily become detached. Also many glues cannot stand up to the wide extremes of temperature that may be encountered in some geographic areas.
- (f) Both the opening hinge side and the hinge pin side (where the hinges protrude), must be protected. Injuries at the hinge pin side do not just include amputations and crushings, but also head lacerations if the child should fall hitting his or her head on the protruding hinges.
- (g) If there are glass doors, ensure that:
 - (i) the glass is shatterproof or of the wired glass variety;
 - (ii) there is some warning on the glass to prevent somebody walking straight into it, unaware that there is plain glass in front of them. Use vinyl window decoration or children’s artwork.

IF YOUR FACILITY IS ALREADY FITTED WITH Fingersafe® DOOR HINGE GUARDS YOU SHOULD INSPECT THEM PERIODICALLY TO CHECK FOR THE FOLLOWING:

MAKE SURE THAT, ON THE MKIA’S, THE ACCORDION PIECES ARE FIRMLY SNAPPED INTO THE FIXING STRIPS. IF THERE IS HEAVY TRAFFIC THROUGH ANY PARTICULAR DOOR, SCREW THREE OR FOUR SCREWS THROUGH THE FIXING STRIP AND ACCORDION WHERE THEY MEET.

MAKE SURE THAT THEY ARE NOT DAMAGED. IF THEY ARE, PLEASE CONTACT US FOR REPLACEMENT PRICING. THE ACCORDION PIECE IS DESIGNED TO BE REMOVABLE. IF YOU HAVE A DAMAGED ONE, IT CAN BE EASILY REPLACED.



"The company that closes the door on injuries"

A SELECTION OF DOOR SAFETY STANDARDS

"Caring for our Children-National Health and Safety Performance Standards: Guidelines for Out-of-Home Child Care Programs," produced by National Resource Center for Health and Safety in Child Care, (2nd Edition) published in January 2002.) **STANDARD 5.017 Finger-pinch Protection Devices.**

Applicable to Centers, Large Family Child Care Home, Small Family Child Care Home:

"Finger pinch protection devices shall be installed wherever doors are accessible to children..."

U.S. General Services Administration "Child Care Center Design Guide" (June 1998) Chapter 10, Technical Criteia (10.7.3 Doors):

"...It is essential that children's fingers be protected from being crushed or otherwise injured in the hinge space of a swinging door or gate. There are simple devices available to attach to the hinge side, ensuring that this type of injury does not occur. As the door closes, the hand is pushed out of the opening, away from harm. In addition, young children are vulnerable to injury when they fall against the other (hinged) side of doors and gates, striking projected hinges. Piano hinges are not recommended to alleviate this problem as they tend to sag over time with heavy use. Instead, an inexpensive device fitting over hinges is available on the market and should be used to ensure safety."

Department of Defense "Handbook on Child Development Centers", modified 8/29/97 (MIL-HDBK-1037/2A), Section 5.3(e):

"...Provide protection hardware for the hinge open area up to 1524mm (60 inches) minimum above finished floor at doors in children's activity rooms"

U.S. Air Force "AFI34-248 1 October 1999" Chapter 10.7 Other Dangers (10.7.6):

"Have finger guards on activity room doors"

U.K. Government Regulation 18-1 of the "Workplace (Health, Safety and Welfare) Regulations 1992":

"Doors and gates shall be suitably constructed (including being fitted with any necessary safety devices)"

Phone: (912) 234-6120 or (912) 234-1265 or Toll-Free (888) 346 4723
Email: orders@fingersafe.com Website: www.fingersafe.com

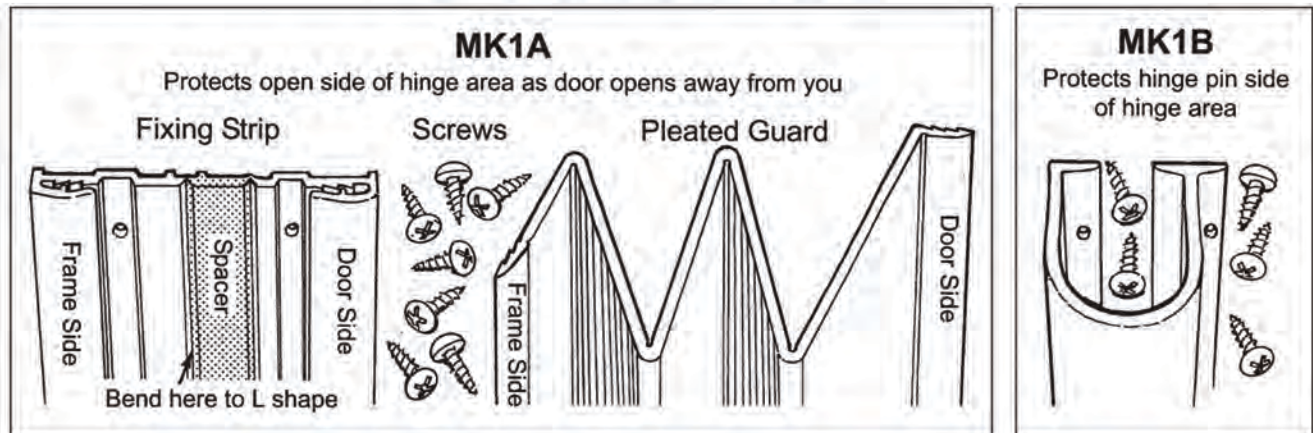
MK1A & MK1B FITTING INSTRUCTIONS

Fingersafe is easy to fit and very reliable when installed correctly. It is essential that these instructions are followed carefully. We can accept no liability or responsibility for incorrect installation. Fingersafe can be installed in 95% of today's doors. If your door is one of the following types, please contact us for assistance: *double swing doors, sliding doors. For commercial metal doors and doors with push bars contact us for tips or visit Fingersafe.com.*

Tools required for fitting Fingersafe

1. Cordless drill
 2. Utility knife (always keep blade sharp)
 3. Strong scissors or metal shears
 4. Phillips drill bit
 5. Pencil
 6. Self drilling screws for wood, metal & aluminium doors (provided)
- *If pre-drilling metal doors: Size 3/32 titanium drill bit

Components of fingersafe[®]

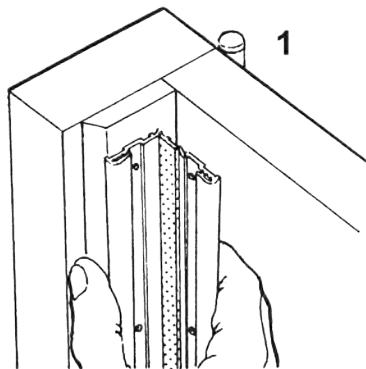
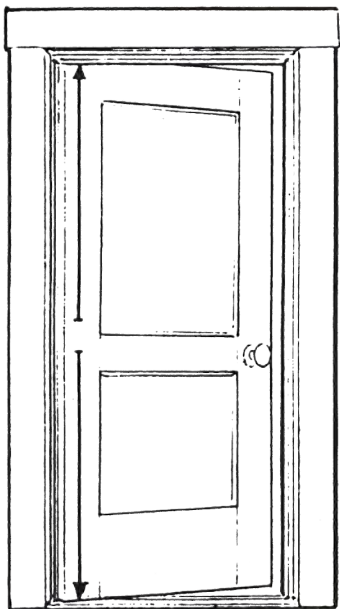


MK1A PRE-INSTALLATION CHECKLIST

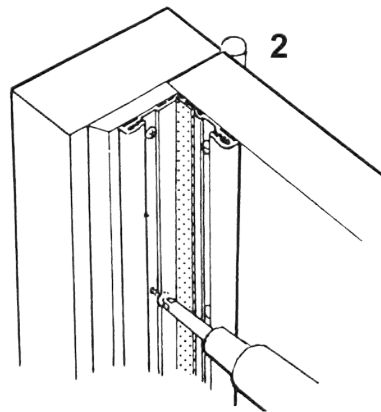
1. Check the stability of the door and hinges by opening the door at a 45 degree angle and gently but firmly exerting lateral and vertical pressure. This will show any instability or damage in the door or frame which must be repaired before you start. If the door has a closer attached, you must check its effectiveness. If the door closes easily without fingersafe, it will continue to do so once fingersafe is installed.
2. After any necessary door maintenance, bring all the tools to the side of the door that swings away from you, and pull the door closed tight.
3. Measure from the bottom of the door to the door stop at top of the door (with door firmly closed) then allowing clearance top and bottom, cut the fixing strip and module (pleated panel) to length if necessary

NO LIABILITY WHATSOEVER ACCEPTED IF THESE INSTRUCTIONS ARE NOT FOLLOWED

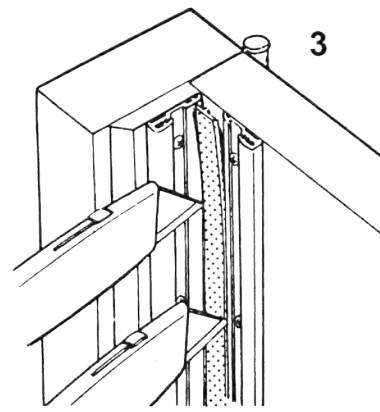
MK1A Installation instructions for standard hinged door



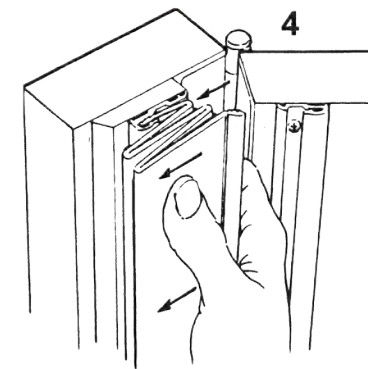
When bent, hold corner of L firmly in corner of frame and door. Align with bottom of door



Insert TEK screws on alternating sides, keeping corners firmly in place



With Stanley knife separate strips at corner and remove spacer from door (if strip is not removed, the door will not close).



Open the door 90 degrees and align the 1 inch side of the pleated panel to the frame side of the fixing strip.* Then snap into position, top to bottom.

*Teeth face down on pleated guard.

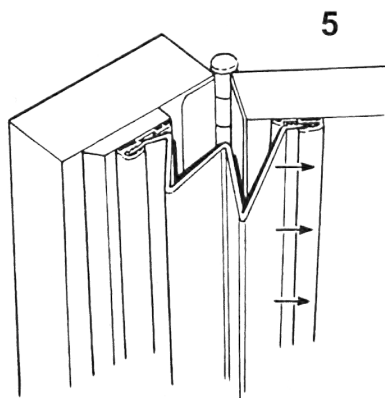
Fitting Tips:

Please pay special attention to instructions No. 3 and No. 6

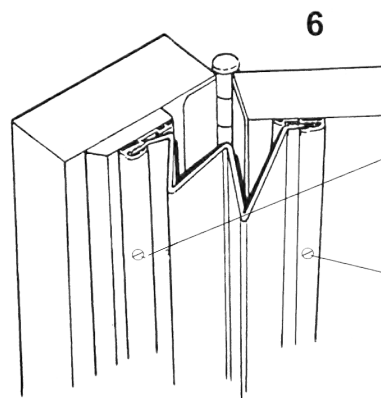
After installing fixing strip, the 1 inch panel must be snapped into FRAME side of fixing strip FIRST.

see No. 4

When snapping the fingersafe panels in position, 3 distinct clicks per side signal a complete installation.

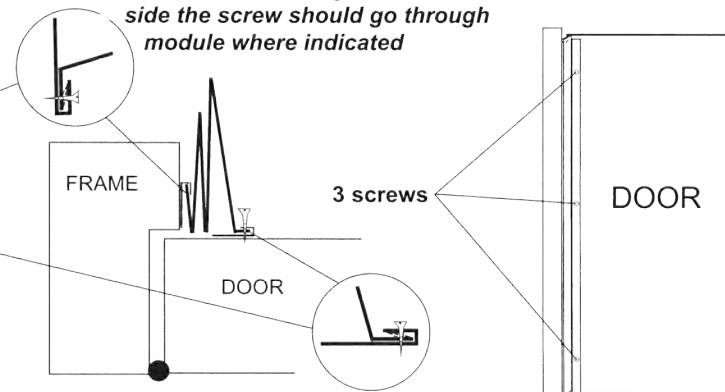


Insert 3 inch panel of fingersafe in door fixing strip.



Always fit retaining TEK screws through both fixing strip and fingersafe.

Ensure when screwing onto frame side the screw should go through module where indicated

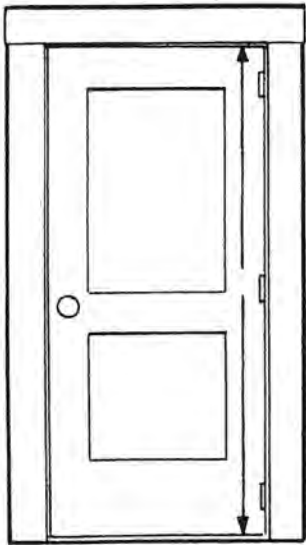


Ensure when screwing into door side the screw should go through module and fixing strip as shown

BIRDS EYE VIEW Shows Fingersafe fitted with the door closed

**THESE INSTRUCTIONS MUST BE FOLLOWED PRECISELY
IN ORDER TO VALIDATE THE 2 YEAR GUARANTEE**

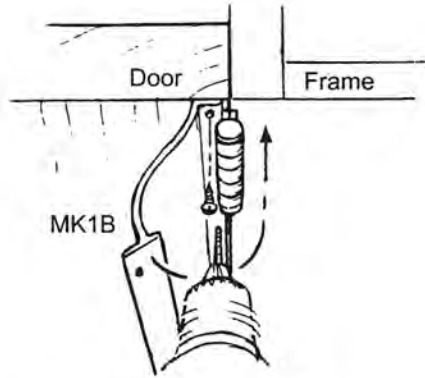
MK1B Installation for standard hinged door



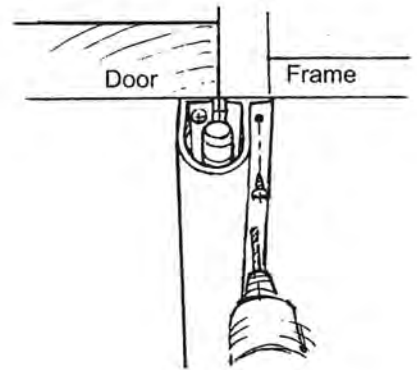
Measure height of the hinge side of door. Cut MK1B square to this length

Fitting Tips

- (1) Both the L and T must be parallel to door and frame and each other for maximum protection and wear
- (2) The screws on the L side must be secure first for obvious reasons

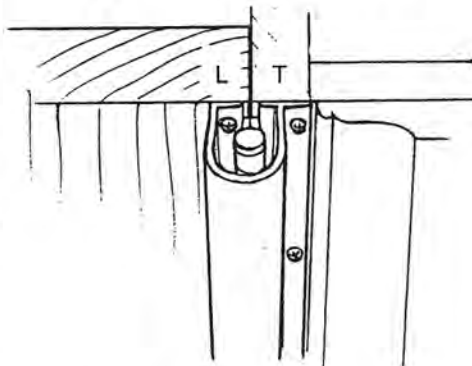


Butt L shaped edge to the door side of hinges while aligning with top and bottom of door. Secure completely with TEK self tapping screws



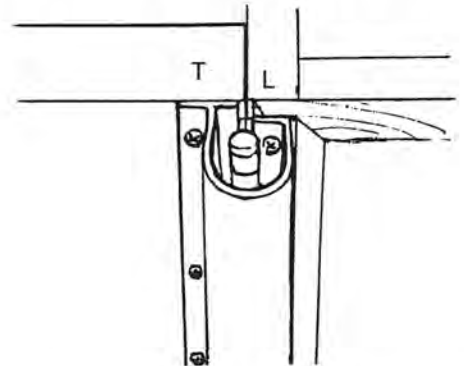
Roll the MK1B over the hinges and butt the T shape to hinges on frame side. Align with L shape top and bottom. Secure with TEK self tapping screws and remove cellophane protective membrane. You are now fingersafe

Typical installation



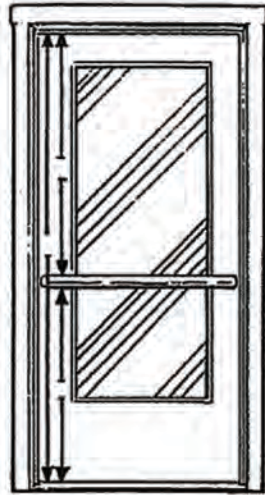
MK1B must be cut square aligned with top and bottom of door

Exception to Typical



Architrave frame fitted with MK1B reversed, due to limited space on the frame side

MKIA Instructions for metal door with push bar



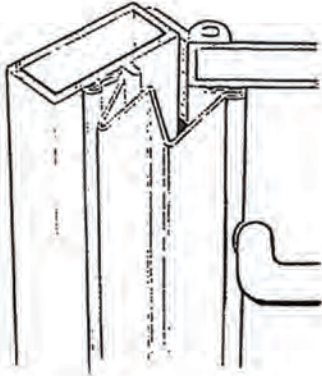
Fitting Tips

If the bar is less than 1.25" from edge of the door in installation area, the door fixing strip and pleated panel may need to be trimmed.

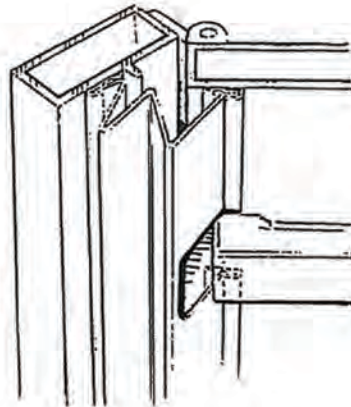
Remove only enough material from 3" pleated panel to accommodate bar.

Measure twice, cut once!

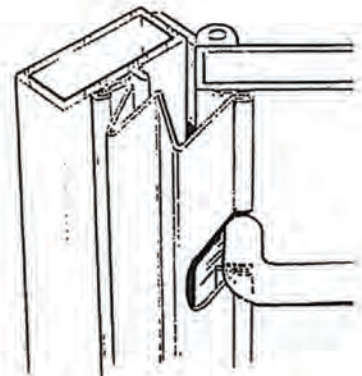
Metal door with push bar



Measure above and below bar to adapt door fixing strip and pleated panel.



Or hold components in position and carefully mark area to be trimmed.



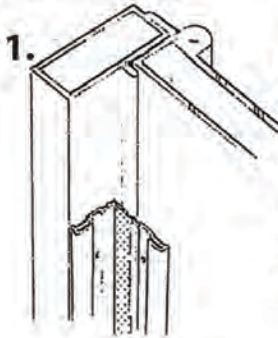
Use utility knife, metal snips or scissors to trim.

Installation Modification for YKK Type Doors

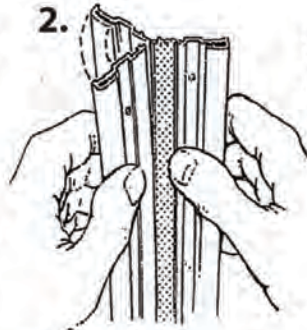


For smoothest operation and maximum wear, fixing strips must be straight and parallel to door and each other.

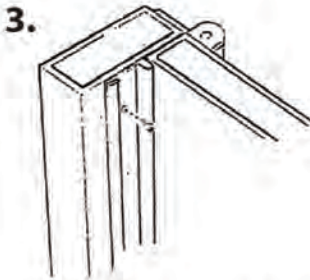
All components must be cut square with space top and bottom to prevent binding.



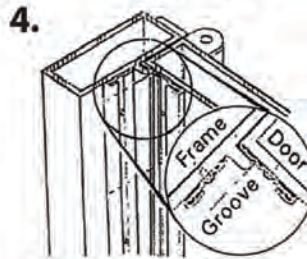
1. Metal door with fixing strip in position. Align with bottom of door.



2. Separate frame side of fixing strip for installation.

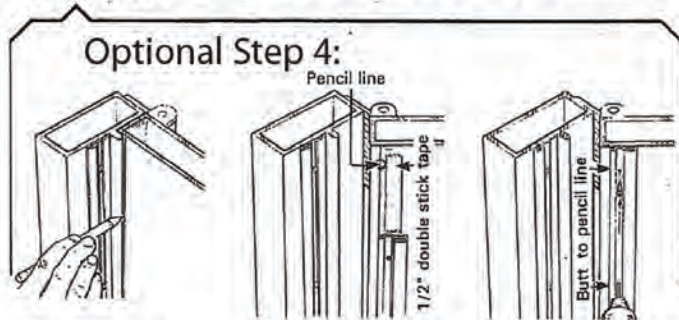


3. Butt frame fixing strip to metal lip as shown. Screw in TEK screws.



4. Align the edge of the lip with groove between spacer and door fixing strip. Screw in TEK screws

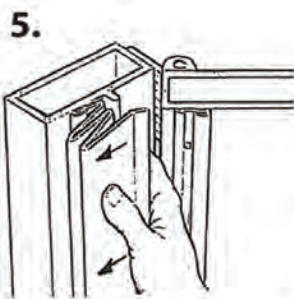
If the space between door and lip is too small to accept fixing strip, use Optional Step 4:



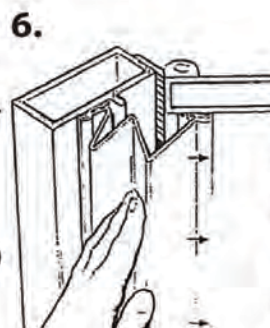
Using the lip as a straight edge, draw a pencil line from top to bottom. Separate the door fixing strip.

Align door fixing strip with the top and bottom of door as shown.

Secure fixing strip with TEK screws. Snap pleated panel in position. Follow Step 5-6



5. Place the 1" panel next to the gripper of the frame fixing strip. * Align top and snap into place.



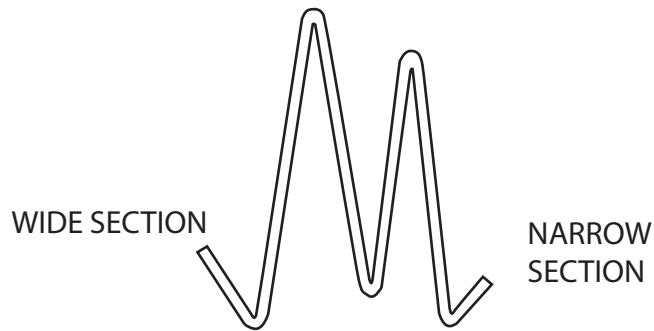
6. Snap the 3" panel into door fixing strip gripper. Listen for 3 clicks. Follow Step #6 on instructions.

*Teeth face down on accordion.

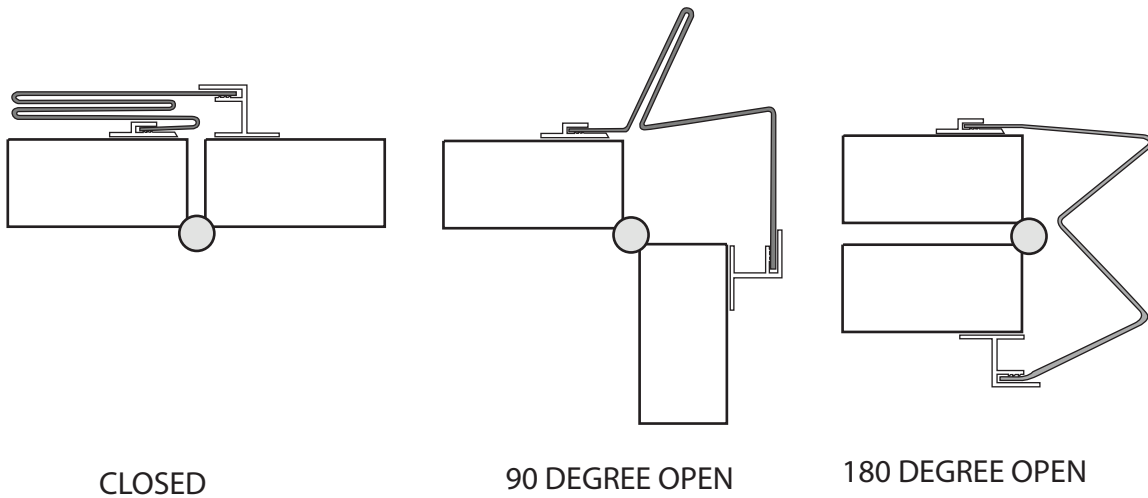
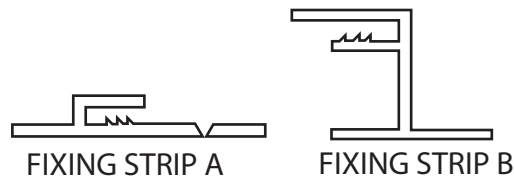
fingersafe[®] usa, inc.

"The company that closes the door on injuries"

MK1C INSTALLATION INSTRUCTIONS for bi-fold, flush fit and uPVC doors



THIS PRODUCT USES THE STANDARD FINGERSAFE ACCORDIAN MODULE TOGETHER WITH THE NEW FIXING STRIP



WITH FINGERSAFE MODULE FITTED

STEP 1

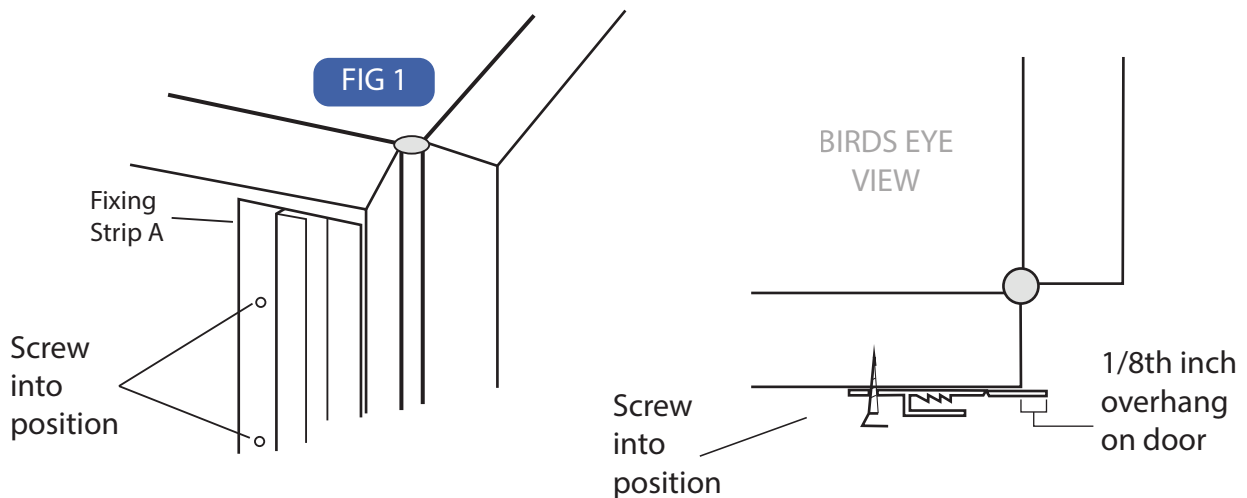
Check the firmness of the door hinges (in the case of bi-fold doors the frame hinge and sections). Check for damage and be sure the door closes - if the door closes easily without Fingersafe it will continue to do so once Fingersafe MK1C is fitted.

STEP 2

Cut the accordian module with sharp scissors or tin snips and the fixing strips with a hack-saw to fit the height of the door, ensuring that both finish not less than 3/4 in (20mm) short of the door top and bottom. Most strips do not need to be cut at all.

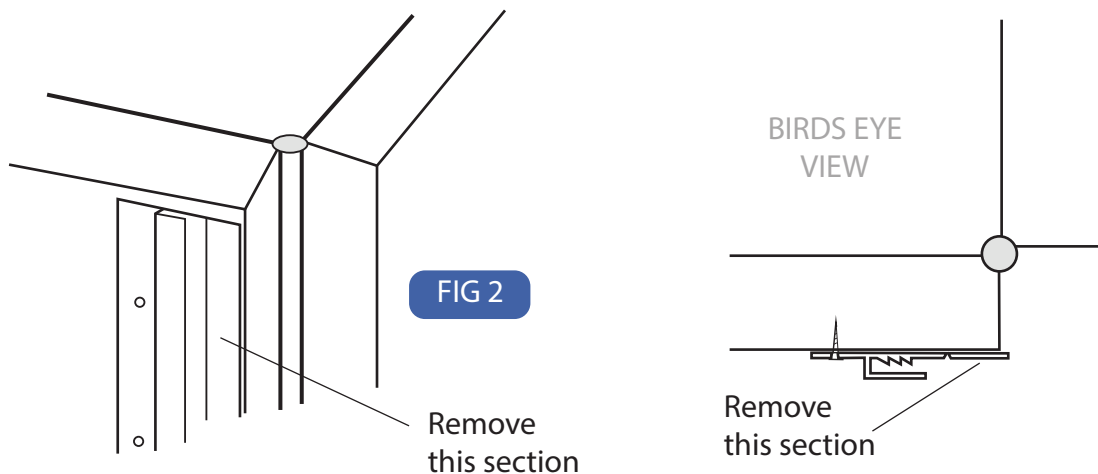
STEP 3

Open the door/bi-fold to 90 degrees. Attach fixing strip A to the door frame or bi-fold door. The leading edge must overhang the inside edge of opening by 1/8th inch. SEE FIG 1.



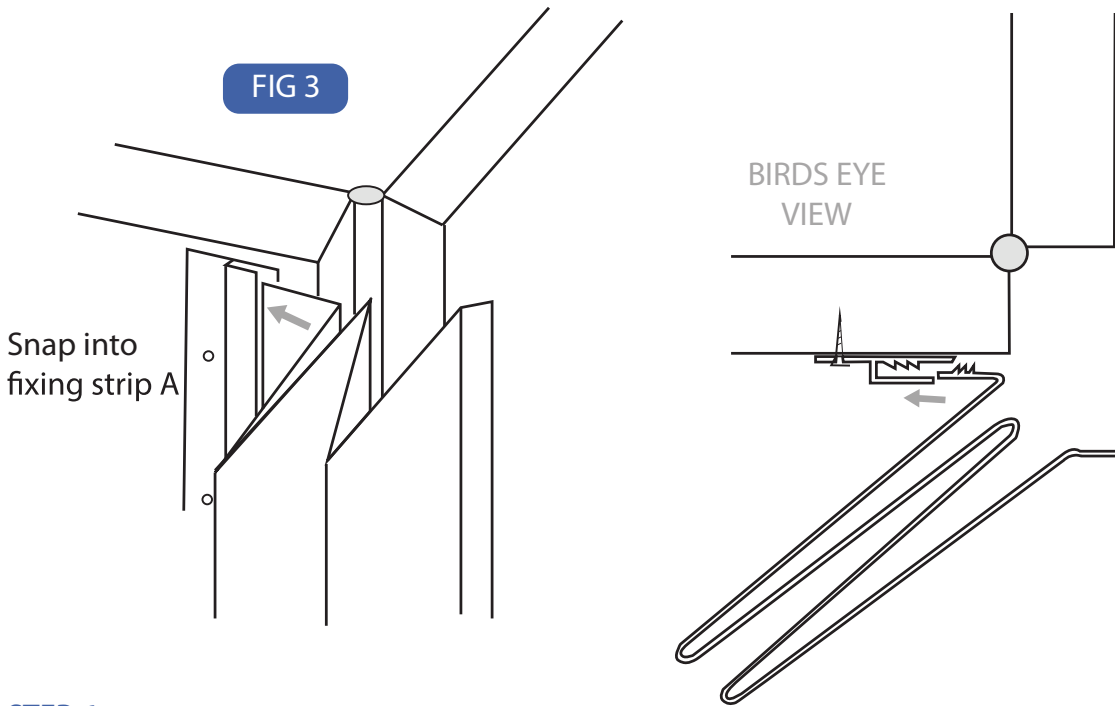
STEP 4

Remove 3/8th in (10mm) section on Fixing Strip A by cutting along grooved line with Stanley type blade. SEE FIG 2



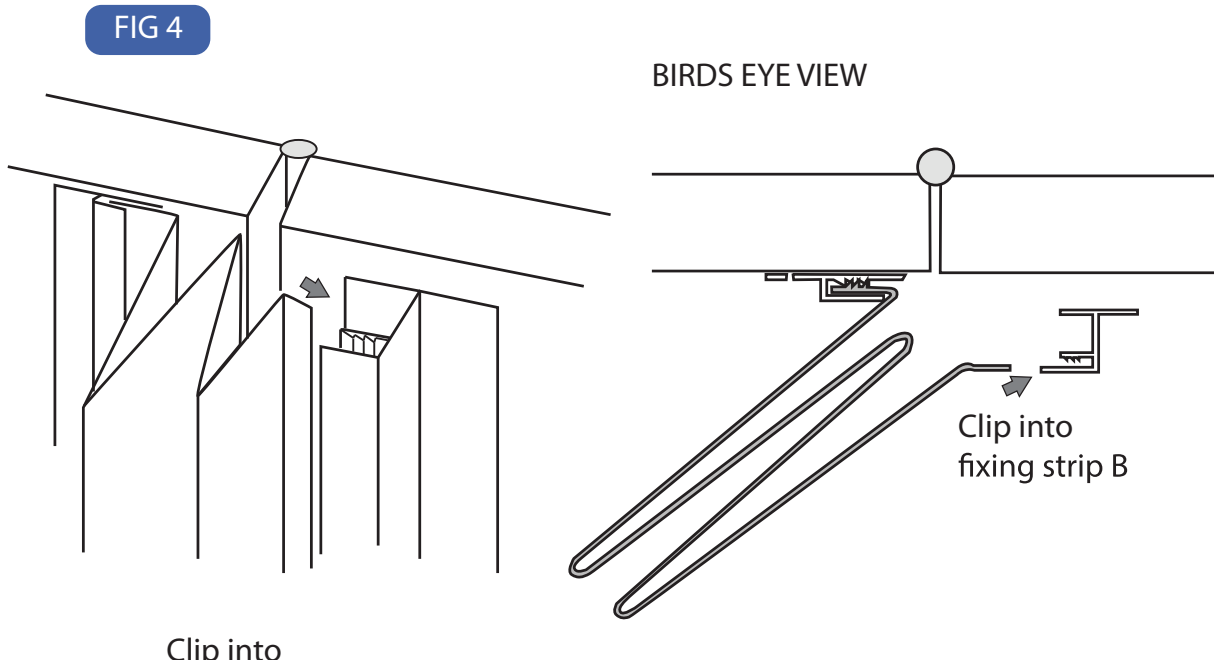
STEP 5

Snap the Fingersafe accordion module's widest section into fixing strip A starting at the top. Make sure it is fully locked into the serrations. SEE FIG 3



STEP 6

Before anchoring fixing strip B, Snap the accordion module into fixing strip B, making sure that it is fully locked into position. SEE FIG 4



STEP 7

Close the door/Bi-Fold and lay the fixing strip A with the seated module flat against the door and screw into position making sure Fingersafe lays flat against door. SEE FIG 5A

FIG 5

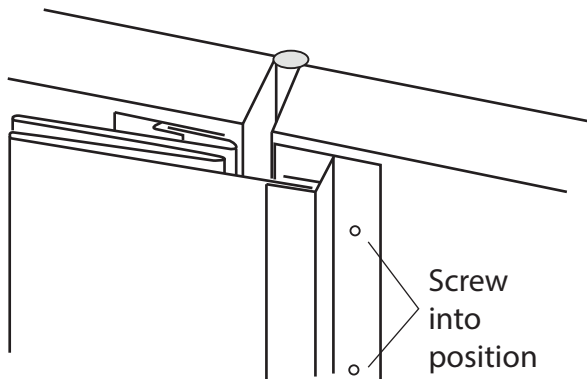
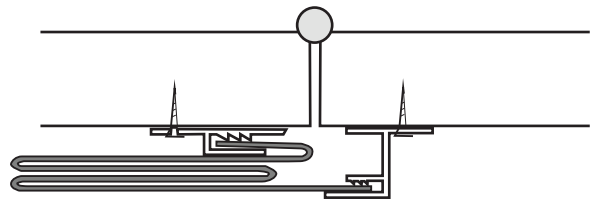


FIG 5a

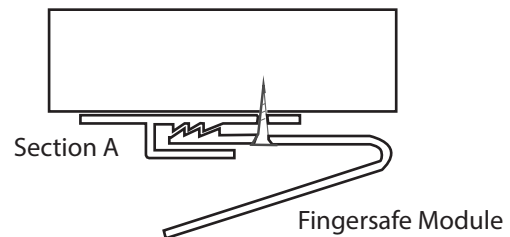
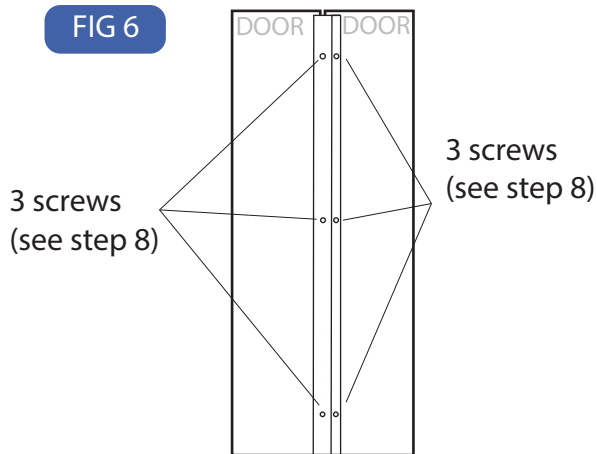
BIRDS EYE VIEW



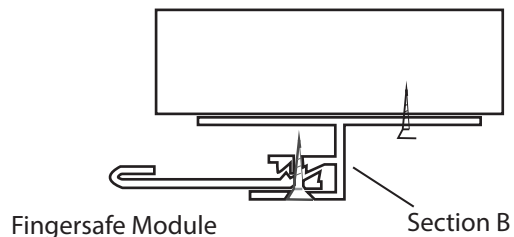
STEP 8

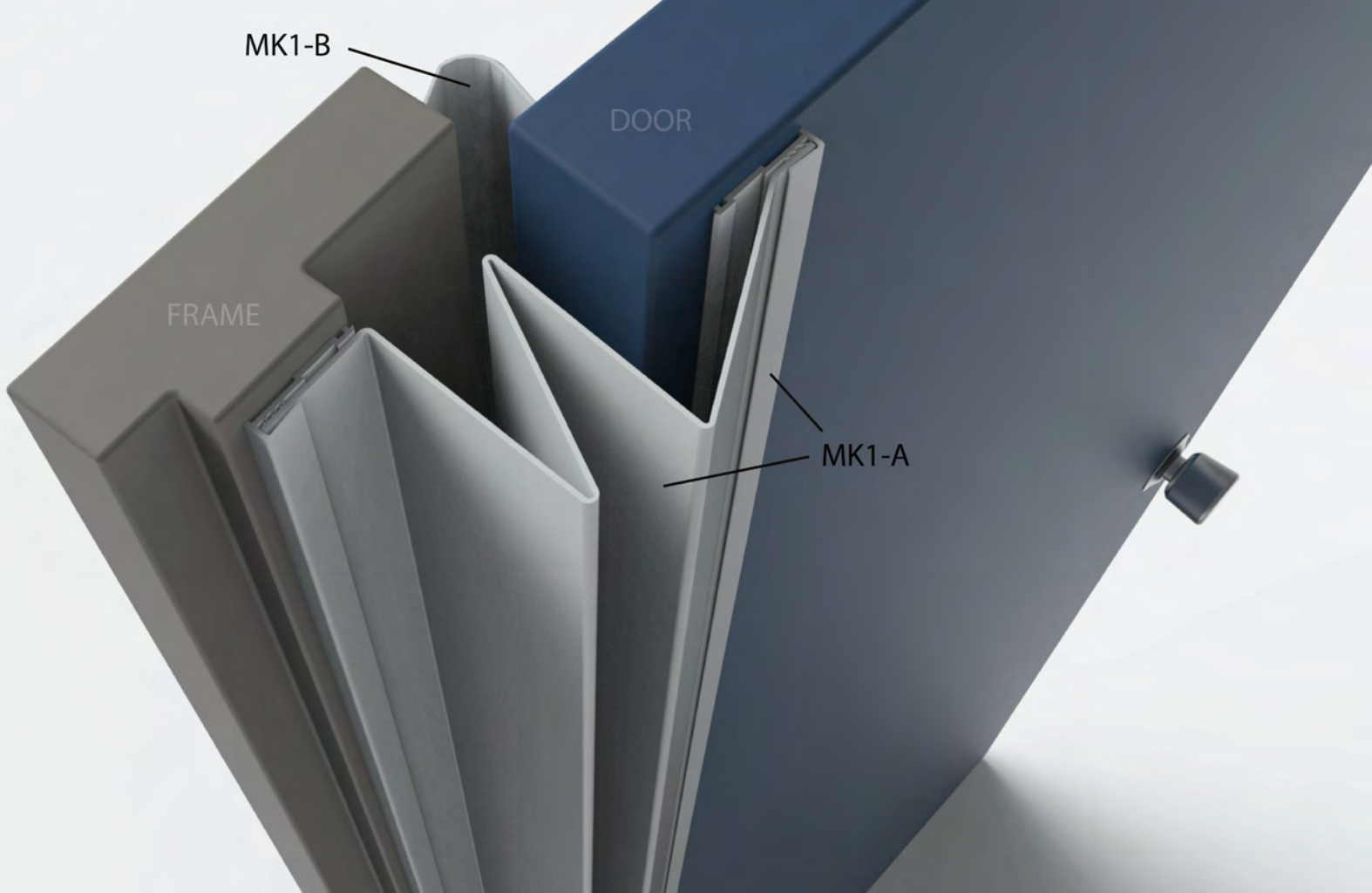
After opening and losing the door to ensure that the Fingersafe is working as diagrams 1, 2 & 3 attach 3 extra screws top, middle and bottom to both side of unit through both fixing strip and module. SEE FIG 6.

FIG 6



Ensure screw in section A is placed as above to avoid screw head interfering with the proper closing of the Fingersafe module





Price List

Length	Styles	Colors
80"	MK1A - \$50.00 MK1B - \$25.00 MK1C - \$50.00	White, Brown, Black, Almond and Gray White, Brown, Black, Almond and Gray (Only Available in White)
84"	MK1A - \$53.00 MK1B - \$27.00	White, Brown, Black, Almond and Gray White, Brown, Black, Almond and Gray
96"	MK1A - \$60.00 MK1B - \$30.00	White, Brown, Black, Almond and Gray White, Brown, Black, Almond and Gray
Replacement MK1A Accordion Strip:		
80" - \$35.00	84" - \$37.00	96" - \$42.00
Replacement MK1A Fixing Strip:		
80" - \$15.00	84" - \$16.00	96" - \$18.00

When measuring your doors for Fingersafe® door hinge guards, start from the top hinged side of the door and measure to the bottom of the door. The MK1A door hinge guard covers the push side, if you are facing the door. The MK1B covers the pull side of the door, where the barrels of the hinges are exposed.

To order or receive more information visit fingersafeusa.com or call 1.888.FINGSAFE



Warranty and Disclaimers

Fingersafe® USA, Inc., hereinafter "Fingersafe®", warrants all merchandise manufactured by it and bearing its name to be free from defects in material and workmanship on the date of sale by an authorized Fingersafe® distributor to the original purchaser for use. As purchaser's sole remedy for breach of this warranty, Fingersafe® will, for a period of 2 years from the date of sale. Repair or replace any part of the merchandise proven defective. This warranty applies only when the merchandise is installed, operated and maintained in accordance with Fingersafe®'s written recommendations.

This warranty does not cover, and Fingersafe® shall not be liable for, any malfunction, damage or wear caused by faulty installation, misapplication, abrasion, corrosion, inadequate or improper maintenance, negligence, accident, tampering, or substitution with non-Fingersafe® component parts. Nor shall Fingersafe® be liable for malfunction, damage or wear caused by the incompatibility with Fingersafe® equipment of structures, accessories, equipment or materials not supplied by Fingersafe®, or the improper design, manufacture, installation, operation or maintenance of structures, accessories, equipment or materials not supplied by Fingersafe®.

This warranty is conditioned upon the prepaid return of the product claimed to be defective to an authorized Fingersafe® distributor for verification of the claim or other arrangement agreed to in writing by an authorized Fingersafe® distributor. If the claimed defect is verified, Fingersafe® will repair or replace free of charge any defective merchandise. The merchandise will be returned to the original purchaser FOB Origin. If inspection of the merchandise does not disclose any defect in material or workmanship, repairs will be made at a reasonable charge, which charges may include the costs of parts, labor and transportation.

Disclaimers and Limitations

The terms of this warranty constitute purchaser's sole and exclusive remedy and are in lieu of any other warranties (express or implied), including warranty of merchantability or warranty of fitness for a particular purpose, and of any non-contractual liabilities, including product liabilities, based on negligence or strict liability. Every form of liability for direct, special or consequential damages or loss is expressly excluded and denied. In no case shall Fingersafe®'s liability exceed the amount of purchase price. Any action for breach of warranty must be brought within two (2) years of the date of sale.

Merchandise Not Covered by Fingersafe® Warranty

Fingersafe® makes no warranty, and disclaims all implied warranties of merchantability and fitness for a particular purpose with respect to accessories, equipment, materials, or components sold but not manufactured by Fingersafe®. Items sold, but not manufactured by Fingersafe®, are subject to the warranty, if any, of their manufacturer. Fingersafe® will provide purchaser with reasonable assistance in making any claim for breach of their warranties.

Inquiries should be made to

Fingersafe® USA, Inc. Post
Office Box 8777 Savannah,
Georgia 31412 Phone: (912)
234-6120 Fax: (912) 236-7549
Email: Orders@fingersafe.com

SECTION 08770

DOOR HINGE GUARDS Fingersafe USA, Inc.

PART 1 - GENERAL

1.1 SECTION INCLUDES

- A. Door hinge guards for opening side, hinge pin side, bi-fold and flush fit doors.

1.2 RELATED SECTIONS

- A. 08100 - Metal Doors and Frames.
- B. 08210 - Wood Doors.
- C. 08350 - Folding Doors and Grilles.
- D. 08400 - Entrances and Storefronts.
- E. 08710 - Door Hardware.

1.3 REFERENCES

- A. ASTM International (ASTM): ASTM E 152 - Methods of Fire Tests of Door Assemblies.
- B. National Fire Protection Association (NFPA): NFPA 25 - Standard For The Inspection, Testing, And Maintenance Of Water-Based Fire Protection Systems.
- C. Underwriters Laboratories, Inc. (UL):
 - 1. UL 10B - Fire Tests of Door Assemblies.
 - 2. UL 10C - Positive Pressure Fire Tests of Door Assemblies.
- D. Canadian Standards: CAN4 S-104 - Standard Method for Fire Tests of Door Assemblies
- E. Uniform Building Code (UBC): UBC 7-2 - Fire Tests of Door Assemblies.

1.4 SUBMITTALS

- A. Submit under provisions of Section 01300.
- B. Product Data: Manufacturer's data sheets on each product to be used, including but not limited to:
 - 1. Preparation instructions and recommendations.
 - 2. Storage and handling requirements and recommendations.
 - 3. Installation instructions and mounting requirements.
 - 4. Cleaning methods.

1.5 DELIVERY, STORAGE, AND HANDLING

- A. Deliver, store and handle materials and products in strict compliance with manufacturer's instructions and recommendations and industry standards.

- B. Store materials in manufacturer's original sealed, labeled packaging until ready for installation and in a horizontal position in accordance with manufacturer's instructions. Protect from damage.

1.6 PROJECT CONDITIONS

- A. Maintain environmental conditions (temperature, humidity and ventilation) within limits recommended by manufacturer for optimum results. Do not install products under environmental conditions outside manufacturer's recommended limits.

PART 2 PRODUCTS

2.1 MANUFACTURERS

- A. Acceptable Manufacturer: Fingersafe USA, Inc; P. O. Box 8777; Savannah, GA 31412. ASD. Phone: 912-234-6120. Fax: 912-236-7549. Web Site: www.fingersafe.com.
- B. Substitutions: Not permitted.

2.2 DOOR HINGE GUARDS FOR OPENING SIDE

- A. Door Hinge Guards: Model MK1A for opening side as manufactured by Fingersafe USA, Inc.
 - 1. Length: Standard, 79.75 inches (2026 mm).
 - 2. Length: 84 inches (2134 mm).
 - 3. Length: 96 inches (2438 mm).
 - 4. Length: As recommended by manufacturer for full length of door from bottom side of frame of frame at top frame at top to bottom of door. Can be cut to size.
 - 5. Width: 2.4 inches
 - 6. As scheduled and indicated on drawings
 - 7. Thickness: .04 inches typical
 - 8. Construction: High-quality PVC (UL V-O rated) with TPE hinges.
 - 9. Design: Ejects fingers from the opening hinge end of a door before injury can occur.
 - 10. Compatibility: Fits wood, aluminum, metal, stainless steel and UPVC doors.
 - 11. Range of Motion: Allows door to operate in excess of 180 degrees.
 - 12. Installation Accessories: Screws and fixing strips are included.
 - 13. Compliance: Approved for use up to any four-hour fire-rated door assembly.
 - a. ASTM E 152 - Methods of Fire Tests of Door Assemblies.
 - b. NFPA` 25 - Standard For The Inspection, Testing, And Maintenance Of Water-Based Fire Protection Systems.
 - c. UL 10B - Fire Tests of Door Assemblies.
 - d. UL 10C - Positive Pressure Fire Tests of Door Assemblies.
 - e. CAN4 S-104 - Standard Method for Fire Tests of Door Assemblies
 - f. UBC 7-2 - Fire Tests of Door Assemblies.
 - 14. Colors: White.
 - 15. Colors: Black.
 - 16. Colors: Grey.
 - 17. Colors: Brown.
 - 18. Colors: Almond.

** NOTE TO SPECIFIER ** If the hinge pin side can be accessed Mk1B is needed. Initially developed for the U.S. Government, this model affixes to the door frame and outside edge of door from top to bottom forming a protective seal over the hinge. We can supply special models to cover larger hinges. Door hinge guards have a high impact resistance and are easily cleaned with common household cleaners.

2.3 DOOR HINGE GUARDS FOR HINGE PIN SIDE

- A. Door Hinge Guards: Model MK1B for hinge pin side as manufactured by Fingersafe USA, Inc.
1. Length: Standard, 79.75 inches (2026 mm).
 2. Length: 84 inches (2134 mm).
 3. Length: 96 inches (2438 mm).
 4. Length: As recommended by manufacturer for full length of door from bottom side of
 5. Width: 1.1 inches (28 mm).
 6. Width: Can be doubled in width
 7. Width: As scheduled and indicated on Drawings
 8. Thickness: 0.4 inches (10 mm) typical.
 9. Construction: High-quality PVC (UL V-O rated) with TPE hinges.
 10. Design: Protects fingers from the hinge pin end of the door.
 11. Compatibility: Fits wood, aluminum, metal, stainless steel and UPVC doors.
 12. Range of Motion: Allows door to operate in excess of 180 degrees.
 13. Application: Can be modified to accommodate doors or gates with a maximum opening of 16 inches (406 mm), wider openings up to 8-1/2 inches (215 mm); also fit rising butts.
 14. Installation Accessories: Screws and fixing strips are included.
 15. Compliance: Approved for use in up to any four-hour fire-rated door assembly.
 - a. ASTM E 152 - Methods of Fire Tests of Door Assemblies.
 - b. NFPA 25 - Standard For The Inspection, Testing, And Maintenance Of Water-Based Fire Protection Systems.
 - c. UL 10B - Fire Tests of Door Assemblies.
 - d. UL 10C - Positive Pressure Fire Tests of Door Assemblies.
 - e. CAN4 S-104 - Standard Method for Fire Tests of Door Assemblies
 - f. UBC 7-2 - Fire Tests of Door Assemblies.
 16. Colors: White.
 17. Colors: Black.
 18. Colors: Grey.
 19. Colors: Brown.
 19. Colors: Almond

2.4 DOOR HINGE GUARDS FOR BI-FOLD AND FLUSH FIT DOORS TO FRAME

- A. Door Hinge Guards: MK1C for bi-fold and flush fit doors as manufactured by Fingersafe USA, Inc.
1. Length: As recommended by manufacturer for size of door.
 2. Construction: High-quality PVC (UL V-O rated) with TPE hinges.
 3. Components: Uses the MK1A module but has a fixing strip which keeps the door hinge guard flat against the door and ejects fingers.
 4. Application: Allows a full 5 inch (127 mm) door opening and can be modified to accommodate wider openings up to 8-1/2 inches (125 mm)
 5. Compliance: Acts as a draft excluder and smoke inhibitor.
 6. Colors: White.

PART 3 EXECUTION

3.1 EXAMINATION AND PREPARATION

- A. Examine and prepare substrates and openings using the methods recommended by manufacturer in "Checklist for Door Safety" for achieving best result for the substrates under project conditions.
- B. If preparation is the responsibility of another installer, notify Architect in writing of deviations from manufacturer's recommended installation tolerances and conditions.

3.2 INSTALLATION

- A. Installation in accordance with manufacturer's instructions and in proper relationship to adjacent construction.

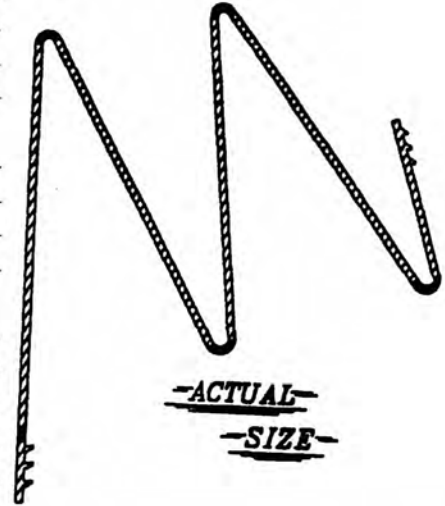
3.3 PROTECTION

- A. Protect installed products until completion of project.
- B. Touch-up, repair or replace damaged products before Substantial Completion.

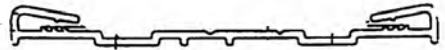
END OF SECTION

FINGERSAFE MK1A – *open hinge protection*

	Pleated Guard (a.k.a. fingersafe)
Material:	Rigid PVC with TPE hinges
Manufacture:	Dual Durometer Extrusion
Thickness:	0.04" (typ.)
Panel Widths:	2.3", 1.9", 1.8", 1.8"
2 Retaining Strips:	.98", .34" with retaining serrations
Length:	Stocked in 6' 8", 7', 8'
Color:	Stocked in White, Black, Brown, Grey, Almond
Fire Rating:	UL V-0 Rated Rigid PVC (see ratings below)
Durability:	U.V. and High Impact Resistance. Easy cleaning with typical household cleaners.

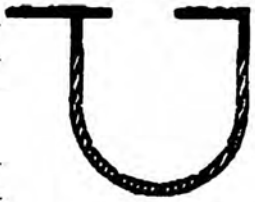


	Retaining Plate (a.k.a. Fixing Strip)
Material:	Rigid PVC
Manufacture:	Extrusion
Overall Width:	2.4" before installation
Length:	Stocked in 6' 8", 7', 8'
Color:	Stocked in White, Black, Brown, Grey
Fire Rating:	UL V-0 Rated Rigid PVC (see ratings below)
Durability:	U.V. and High Impact Resistance. Easy cleaning with typical household cleaners.



FINGERSAFE MK1B – *closed hinge/hinge pin protection*

Material:	Rigid PVC with TPE
Manufacture:	Extrusion
Overall Width:	1.1" depending on installation configuration
Length:	Stocked in 6' 8", 7', 8'
Color:	Stocked in White, Black, Brown, Grey, Almond
Fire Rating:	UL V-0 Rated Rigid PVC (see ratings below)
Durability:	U.V. and High Impact Resistance. Easy cleaning with typical household cleaners.



ACTUAL SIZE

Fingersafe compliances with the following standards:

- NFPA 252
- UL 10B, UL 10C
- ASTM E-152
- CAN4 S-104
- UBC7-2 (1997)
- NAICS# 332510
- SIN # 197-42

DOOR OPERATION 180° UNIMPEDED
AS TO MK1A AND MK1B



Product Identity
R18518(N)
Underwriters Laboratories Inc. ®
Miscellaneous Fire Door Assembly
Classified 25KL (USA) Listed F (CANADA)

This product has a UL four hour fire rating compliance in any door assembly

US, Canadian and world-wide patent numbers available upon request

Made in the U.S.A.

Master code format Division: Section 8