

# RADIATOR COOLED CONTINUOUS DUTY GENERATOR SET



Model number: **ML44IERD-T4-EP**

**POWERED BY:**



## Generator Set Specifications

- Isuzu 4LE2X Final Tier 4 1800 rpm Diesel 4 Cylinder Turbo Charge, Air Cooled Engine
- Heavy Duty Brushless Generator End with Marine Coating, Auxiliary Winding for motor starting and Automatic Voltage Regular
- Automatic Start Control Panel with LCD Display (Engine Monitoring, Generator Monitoring Amps/ Volts/Hertz, and Fuel Level)
- Safety Shutdown System
- 12 Volt Electrics
- Vibration Isolators
- Radiator, Hose, Fan Guard
- Industrial Air Cleaner & Engine Support Legs
- Steel Skid with Fuel Tank Spill Containment
- 61Gallon Bub-Base Fuel Tank with Level Gauge
- Super-Silent Level 2 Sound Attenuated Powder Coated Aluminum Enclosure with Lockable Doors
- Oil and Fuel Filters
- Industrial Muffler
- Battery and Onboard Battery Charger Included
- Owner's Manual
- 5 Year 5,000 Hour Engine Warranty
- 1 Year 1,000 Hour Generator Warranty
- Oversized Generator End for Full 1 Phase KW Output and Full 3 Phase KW Output

## Generator Ratings

PH	Voltage	HZ	Continuous Rating	
			KW	AMP
1	120	60	44	367
1	240	60	44	183
3	208	60	44	153
3	240	60	44	132
3	480	60	44	66



**Authorized Distributor**



**CDPW Inc.**

710 W. Park Ave.  
 Edgewater, FL 32132  
 (386) 426-1345  
 (800) 800-9562  
[www.cdpwinc.com](http://www.cdpwinc.com)  
 email: sales@cdpwinc.com

## Engine Specifications

Manufacturer	Isuzu
Engine Model	4LE2X
Emissions	Tier 4 Final
Cylinder Arrangement	4 in-line 4 cycle
Rated RPM	1800
Horse Power at Rated RPM (bhp)	66
Governor Type	Electronic
Frequency Regulation	.25%
Air Cleaner	Replaceable Element

### Lubrication System:

Oil Capacity w/out filter, qt.	11
Oil Filter Type	Spin-on

### Fuel System:

Fuel Shutoff Solenoid	Electric
Fuel Pump	Electric
Fuel Pump Priming	Electric
Fuel Line Supply	5/16
Fuel Line Return	5/16

### Cooling System:

Engine Block Coolant Capacity, qt	4.3
Radiator Coolant Capacity, qt	11.4
Fan Type	Blower

### Approx Fuel Consumption, (GPH):

100% Load	2.81
75% Load	2.12
50% Load	1.41

### Sound Attenuated Enclosure:

Noise Level @ 23ft (7 meters)	59 dBA
Material	Power Coated Aluminum
Insulation	Sound Dampening Foam

## Generator Specifications

Model	M3CB60-AUX-ML
Type	4 Pole
Exciter Type	Brushless
Leads: Quantity	12
Voltage Regulator	1% Automatic AVR
Insulation Material	Class H, 2X Vacuum Impregnation Marine Coating
Temperature Rise	105° C
Bearing Type	Sealed
Coupling	Direct Bolt-Up
Auxiliary Winding	300% of Rating for 10 Seconds
Continuous Rating	44KW

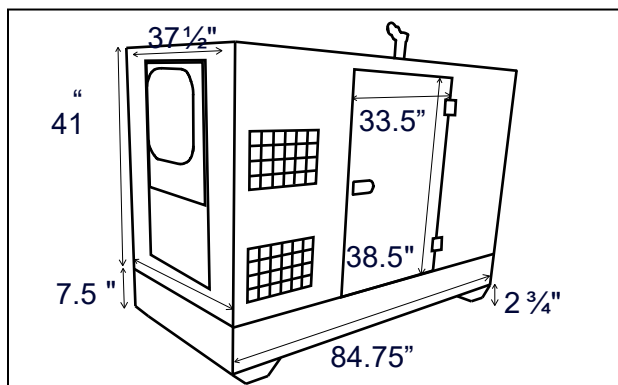
## Optional Accessories

- Mainline Breaker
- Aux Bus Bar with Mechanical Lugs Receptacle
  - Panel with (2) Duplex 120 Volt, (2) 50 Amp 240 Volt, with Individual Breakers.
- ESD Air Shut Off Valve
- 6 ft Manual Cable for ESD Valve
- 2" Slip On Spark Arrestor
- 12 Volt Battery - Gr 24
- 12 Volt Battery Charger
- Air Starter

Standard Control Panel



## Dimensions and Weights



Generator Weight : 2,388 lbs.



**CDPW Inc.**  
 710 W. Park Ave.  
 Edgewater, FL 32132  
 (386) 426-1345  
 (800) 800-9562  
[www.cdpwinc.com](http://www.cdpwinc.com)  
 email: sales@cdpwinc.com