

RADIATOR COOLED CONTINUOUS DUTY GENERATOR SET



Model number: **ML23IERD-EP**

POWERED BY:



Generator Set Specifications

- Isuzu 4LE1 Diesel 4 Cylinder 1800 rpm Engine
- Heavy Duty Brushless Generator End with Marine Coating, Auxiliary Winding for motor starting and Automatic Voltage Regular
- Murphy Gauge Panel (Oil Pressure, Temp, Volts, and Hours)
- Safety Shutdown System (Low Oil Pressure & High Coolant Temperature)
- 12 Volt Electrics
- Vibration Isolators
- Radiator, Hose, Fan Guard
- Industrial Air Cleaner & Engine Support Legs
- Steel Skid with Fuel Tank Spill Containment
- 45 Gallon Bub-Base Fuel Tank with Level Gauge
- Super-Silent Level 2 Sound Attenuated Powder Coated Aluminum Enclosure with Lockable Doors
- Oil and Fuel Filters
- Industrial Muffler
- Batter Included
- Owner's Manual
- 5 Year 5,000 Hour Engine Warranty
- 1 Year 1,000 Hour Generator Warranty
- Oversized Generator End for Full 1 Phase KW Output and Full 3 Phase KW Output

Generator Ratings

PH	Voltage	HZ	Continuous Rating	
			KW	AMP
1	120	60	23	192
1	240	60	23	96
3	208	60	23	80
3	240	60	23	69
3	480	60	23	35



Authorized Distributor

CDPW Inc.
 710 W. Park Ave.
 Edgewater, FL 32132
 (386) 426-1345
 (800) 800-9562
www.cdpwinc.com
 email: sales@cdpwinc.com

Engine Specifications

Manufacturer	Isuzu
Engine Model	4LE1
Emissions	Tier 4 Final Cylinder
Arrangement	4 in-line 4 cycle
Rated RPM	1800
Horse Power at Rated RPM (bhp)	35.3
Governor Type	Mechanical
Frequency Regulation	3-5%
Air Cleaner	Replaceable Element

Lubrication System:

Oil Capacity w/out filter, qt.	8.88
Oil Filter Type	Spin-on

Fuel System:

Fuel Shutoff Solenoid	Electric
Fuel Pump	Mechanical
Fuel Pump Priming	Electric
Fuel Line Supply	5/16
Fuel Line Return	5/16

Cooling System:

Engine Block Coolant Capacity, qt	3.0
Radiator Coolant Capacity, qt	6.96
Fan Type	Blower

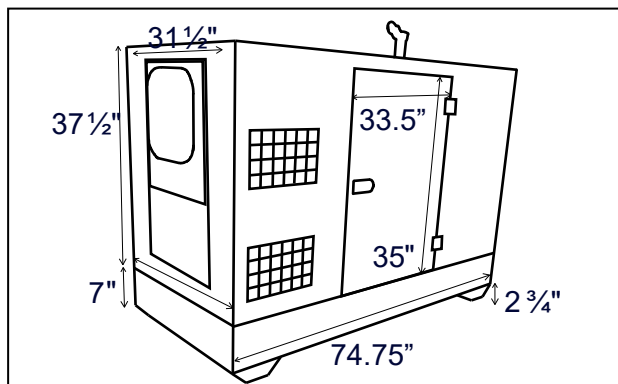
Approx Fuel Consumption, (GPH):

100% Load	1.70
75% Load	1.28
50% Load	0.85

Sound Attenuated Enclosure:

Noise Level @ 23ft (7 meters)	62 dBA
Material	Power Coated Aluminum
Insulation	Sound Dampening Foam

Dimensions and Weights



Generator Weight : 1,542 lbs.

Generator Specifications

Model	M3CB30-AUX-ML
Type	4 Pole
Exciter Type	Brushless
Leads: Quantity	12
Voltage Regulator	1% Automatic AVR
Insulation Material	Class H, 2X Vacuum Impregnation Marine Coating
Temperature Rise	105° C
Bearing Type	Sealed
Coupling	Direct Bolt-Up
Auxiliary Winding	300% of Rating for 10 Seconds
Continuous Rating	23KW

Optional Accessories

- Deep Sea Auto Start Panel
- Mainline Breaker
- Aux Bus Bar with Mechanical Lugs Receptacle
 - Panel with (2) Duplex 120 Volt, (2) 50 Amp 240 Volt, with Individual Breakers.
- Racor Fuel/Water Separator
- Spark Arrestor
- ESD Air Shut Off Valve
- 6 ft Manual Cable for ESD Valve
- 2" Slip On Spark Arrestor
- 12 Volt Battery - Gr 24
- 12 Volt Battery Charger
- Air Starter

Standard Control Panel



Optional Deep Sea Auto Start Panel



CDPW Inc.

710 W. Park Ave.
Edgewater, FL 32132

(386) 426-1345

(800) 800-9562

www.cdpwinc.com

email: sales@cdpwinc.com