

**Height Range:**  
575mm to 1230mm to underside of worktop

**Configurations:**  
Rectangle, Right Angle  
Large range of sizes available

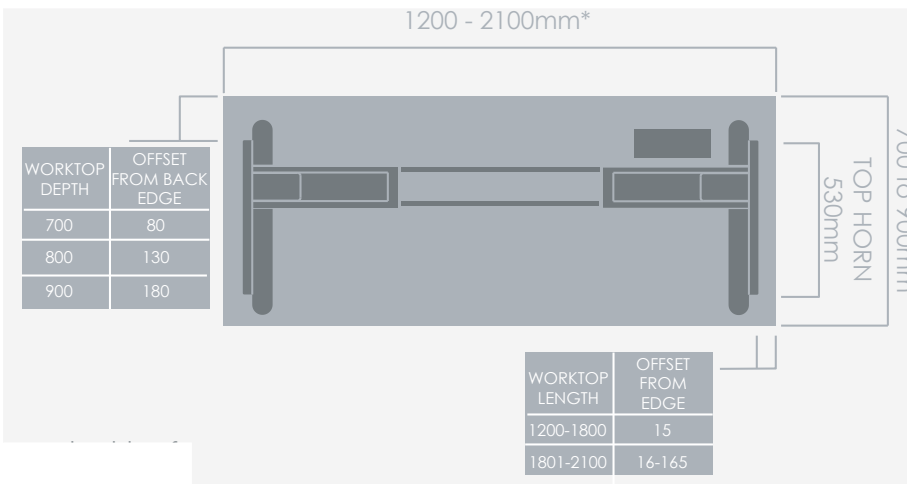
**Adjustment:**  
Electric. 4 programmable height settings with electronic display

**Travel Speed:**  
30mm per second

**Weight capacity:**  
80.0kg evenly distributed load (including worktop)

**Suits worktop lengths:**  
1200mm to 2100mm

**Suits worktop depths:**  
700mm to 900mm



| WORKTOP LENGTH | OFFSET FROM EDGE |
|----------------|------------------|
| 1200-1800      | 15               |
| 1801-2100      | 16-165           |

