

“Ultimate” Storage Reel Assembly



1144 Northwest 53rd,
Seattle, WA 98107
1-800-426-7738
206.676.8209



Carton Contents

ITEM	BOX	QTY	ITEM	BOX	QTY
WHEEL	A	2	NYLON SLEEVE	A	2
SIDE STRUT	A	2	HEX HEAD BOLT, 1 3/4"	A	8
CENTER TUBE	B	1	FLAT WASHER, 3/4"	A	8
BOTTOM SUPPORT	C	2	DOME HEAD BOLT, 2 1/2"	A	2
CASTER ASS'Y, Polybagged	A	4	LOCK WASHER, 3/16"	A	2
END CAP	A	2	NUT, 3/16"	A	2
NYLON WASHER	A	4	FLAT WASHER, 1/2"	A	4

Box "A": 50" x 50" x 8" - 60# Box "B": 90" x 8" x 7" - 21#
Box "C": 90" x 22" x 9" - 25#

“ULTIMATE” STORAGE REEL
P1

ASSEMBLY INSTRUCTIONS

Assembly requires the use of an adjustable wrench, a small hammer and will take 2 people 30-40 minutes. Work on a clean, non-abrasive surface.

1. Remove all components from packaging and verify contents.
2. Bolt the 4 Caster Assemblies onto the flanges on the underside of both Bottom Supports, using the Bolts, Flat Washers, Lock Washers and Lock Nuts contained in the plastic bags. Make sure you locate the Casters so that the 2 Swivel Casters are on one end, and the two Fixed Casters are on the other end. This will ensure that the Storeel is easy to maneuver when loaded.
3. Assemble one Wheel to the Center Tube. Look for the cast-in “X”s on the outer end of the Center Tube and the inside of the center flange of the Wheel. These two “X”s MUST be aligned with each other, with all the bolt holes exactly aligned. If you do not achieve this, remove the Wheel and replace it with the second Wheel, which will fit perfectly. Bolt the Wheel to the Tube using 4 x 1 3/4” Hex Head Bolts, and 4 x 3/4” Flat Washers. Assemble the other Wheel to the other end of the Center Tube in the same fashion.
4. Assemble 1 Side Strut to the 2 Bottom Supports by inserting the smaller tubes of the Bottom Support into the legs of the Side Struts. *Note: This is intentionally a tight fit. Make sure the tubes are accurately aligned and press down evenly on both legs. Do not hammer the parts together as this may damage the coating!* Do not assemble the second Side Strut to the Bottom Support yet.
5. Slide 1 Nylon Washer onto the end of the Center Tube/Wheel Assembly. The Washer is dimensioned to be a tight fit, you may need to gently tap it into place with the hammer. It should be flush with the surface of the Wheel flange. Slide 1 Nylon Sleeve on the end of the Center Tube, and insert the Sleeve into the short tube on the top of the Side Strut. Slide a second Nylon Washer on the end of the Center Tube, put the Cap on the end and secure with the 2 1/2 inch Dome Head Bolt, Flat Washer, Lock Washer and Nut.
6. Repeat Step 5 on the other end of the Center Tube/Wheel Assembly.
7. Now assemble the second Side Strut to the Bottom Support, as in Step 4.
8. Your “Ultimate” Storeel is now ready for use. When loading AntiWave lanes onto the reel, do not hook the Supertensioner to the drum of the Reel, as this may cause damage not covered by your Warranty. Always start at the hook end, and for the first few feet, do not wind the lane too tightly on the drum. If you hear clicking sounds, the lane is too tightly wound.

We recommend the use of the specially designed Cover, which will protect your lanes from ultraviolet degradation and dirt particles.

ASSEMBLY STAGE 2

**Casters assembled onto
Bottom Support:**



ASSEMBLY STAGE 3

**Slide Wheel onto
Center Tube and
bolt in place.**



ASSEMBLY STAGE 4

**Assemble Side
Strut to Bottom
Supports**



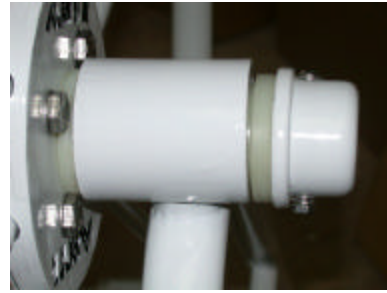
ASSEMBLY STAGE 5A

**Assemble Wheel/
Center Tube Assembly
to Side Strut**



ASSEMBLY STAGE 5B

Cap assembled on
Center Tube.



ASSEMBLY STAGE 7

Final assembly of
second Side Strut
to Bottom Support
(2 person job).



ASSEMBLY STAGE 8

Assembled Storage Reel.



Storage Reel with mesh Cover



AntiWave Pool Products

Simply the Best

1144 Northwest 53rd Street, Seattle, WA 98107

Tel: 206.676.8209 Fax: 206.784.9708

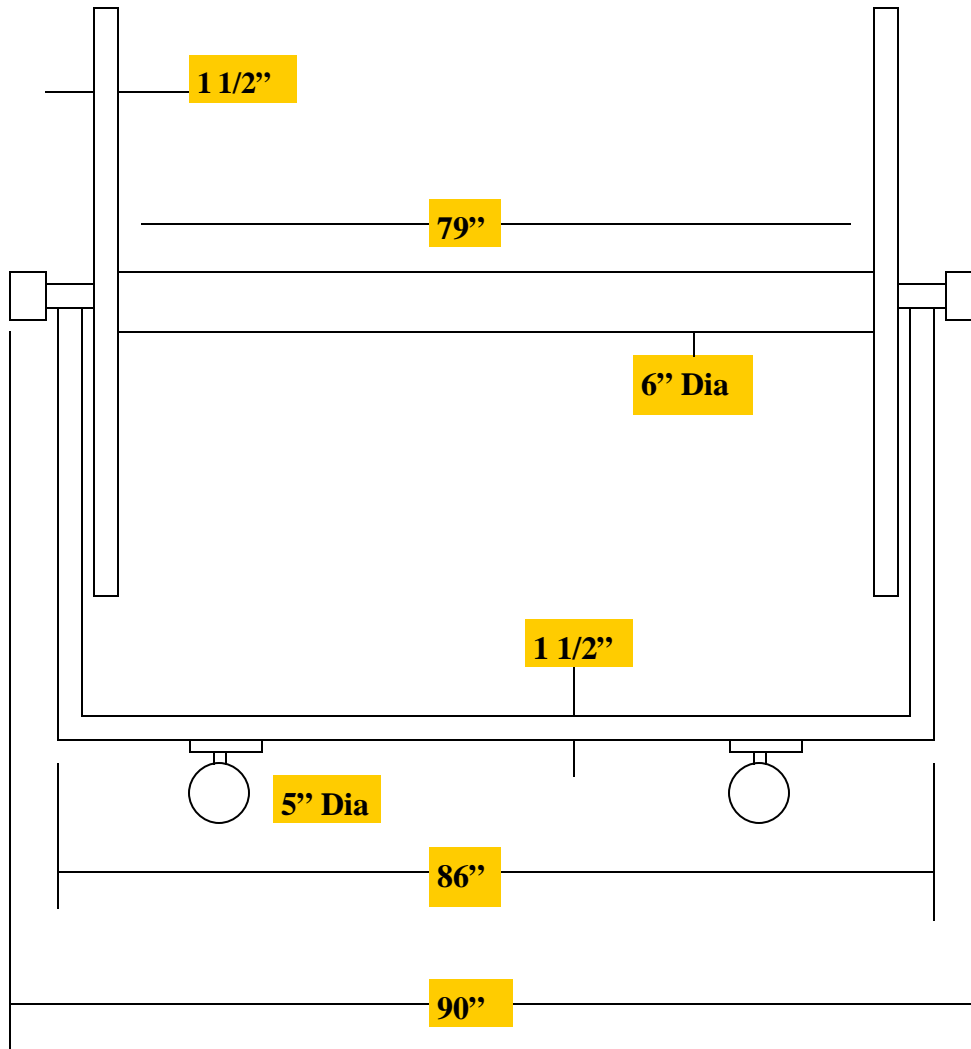
www.antiwave.com

“ULTIMATE” STORAGE REEL

P4

“ULTIMATE” STORAGE REEL PRINCIPAL DIMENSIONS

**A. Front
View**



Shipping Specifications

**AW0615 “Ultimate” Storage Reel: 106#
(3 cartons, will ship by truck)**

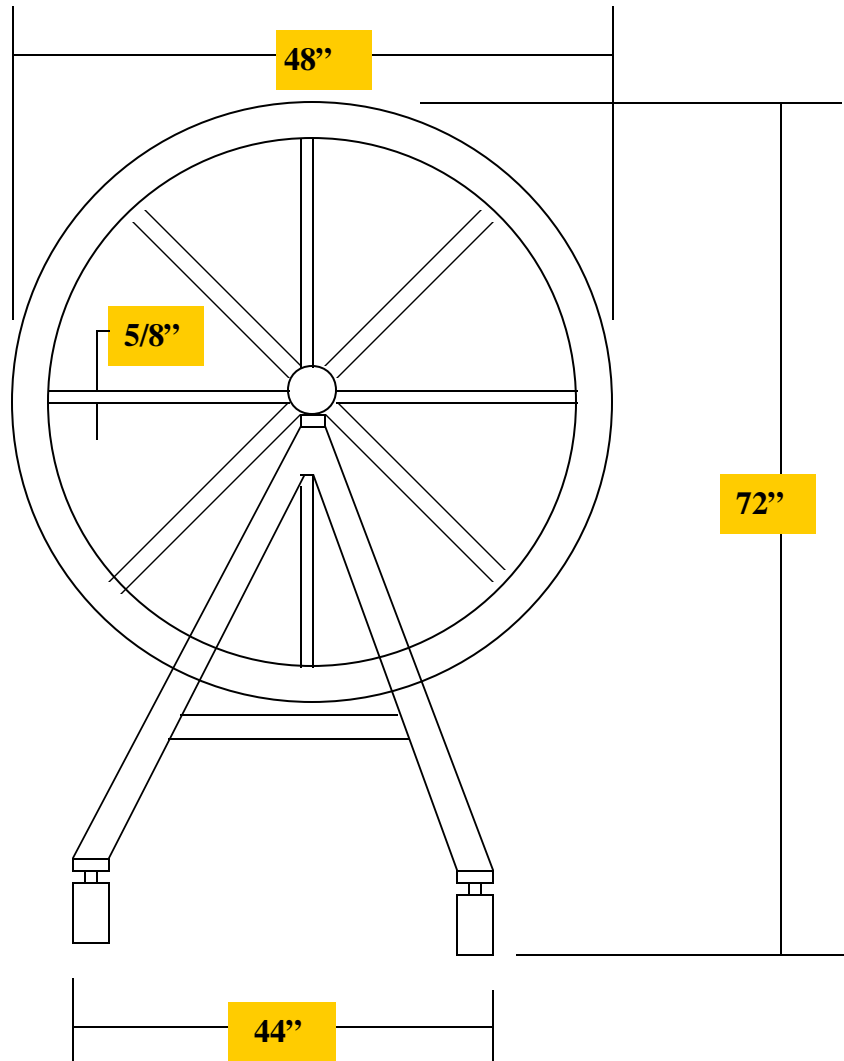
**AW0691 “Ultimate” Storeel Cover: 9#
(1 carton, will ship by UPS)**

**AW0615 & AW0691 shipped together — 113#
(3 cartons, will ship by truck)**

**“Ultimate” Storeel Dimensions
P5**

“ULTIMATE” STORAGE REEL PRINCIPAL DIMENSIONS

B. Side View



“Ultimate” Storeel Dimensions
P6