

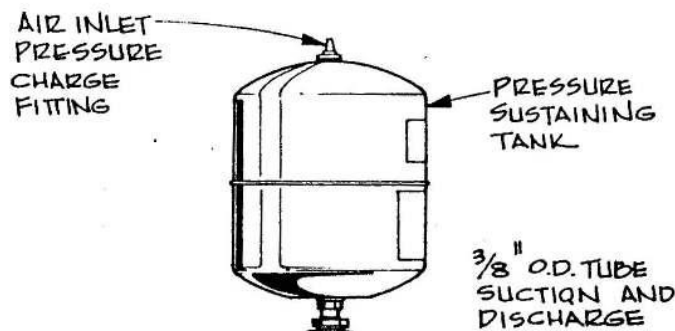
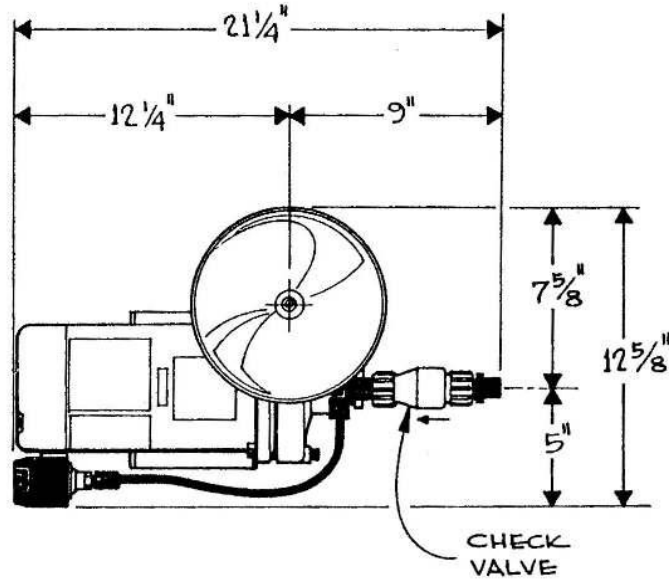
Installation and Operating Instructions



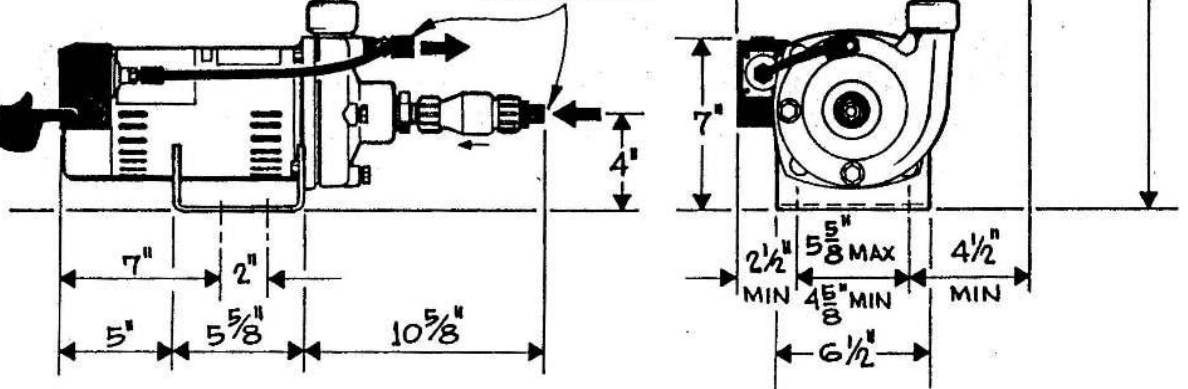
Pressure Amplification System

Eko³ systems

Specifications



POWER
SUPPLY
115/230 VAC
8.8/4.4 AMPs
60 Hz.
(1/2 H.P.)



Specifications

The Pressure Amplification System (PAS) is a device used to increase pressure of clean filtered water to a usable pressure for the actuation of filter system backwash valves. The PAS consists of ½ HP pump and motor, a hydro pneumatic tank, a pressure switch, pressure gauge, tubing and fittings. The system is pre-calibrated at the factory to ensure that it will work properly for its intended use.

The PAS is designed to operate intermittently, on demand, during the filter systems backwash cycle **only**. A factory set pressure switch allows the PAS to operate economically, extending its life and governing the duration of the pump/motor operating time. Upon initiation of a backwash cycle the PAS is activated manually, by way of an on/off switch, or automatically via a filter system controller. Clean, high-pressure water is available to the filter system controller for its use to actuate the hydraulic valves.

PAS Components:

1. ½ HP pump and motor, 115/230 VAC, 1 phase, 60 cycle. The pump is factory wired for 115 VAC operation.
2. Hydro pneumatic tank, factory pressurized for 28 psi operation.
3. Pressure switch, factory calibrated for 50 psi shut-off intermittent operation.
4. 50 feet of ½" tubing and all necessary tubing fittings for connection to one or two filter systems.
5. 0-60 psi Pressure gauge

PAS Assembly:

Place the PAS in the desired location in accordance with local building codes. It is recommended that the pump be securely anchored to the floor or wall of the mechanical room, using appropriate mounting hardware.

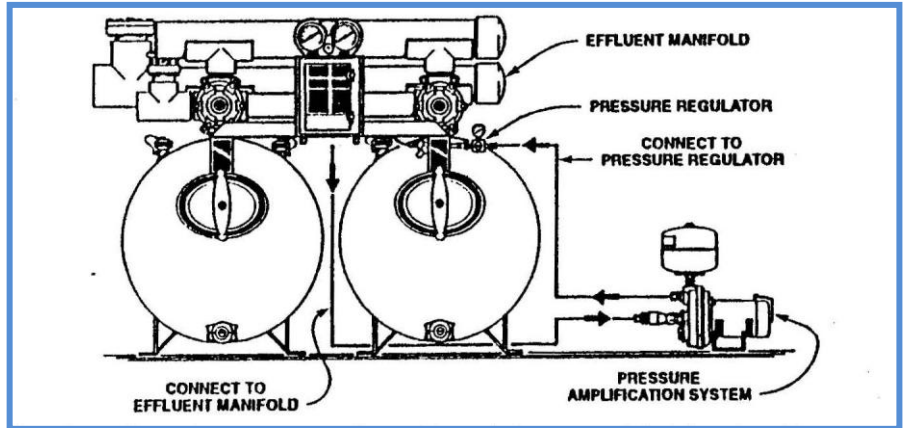
Notes:

Mounting hardware is not included with the PAS.



Installation & Operating Instructions

Install the check valve assembly into the 1 ¼" NPT pump suction. Hand tighten firmly, no tools should be required. Install the suction tubing, connect first to the tubing fitting which is part of the check valve assembly attached to the PAS, again hand tighten firmly. Connect the opposite end of this tube to the effluent manifold of the filter system, see insert drawing.

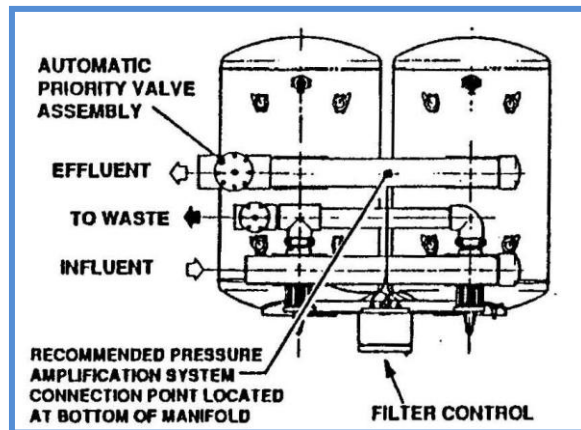


Cut tubing to the appropriate length and connect to the tubing fitting provided by the filter manufacturer located in the filter's effluent manifold, again hand tighten, no tools should be required.

WARNING:

Connection to multiple filter tank system effluent manifolds must be made between the filter tanks and the Priority/Rate of Flow Adjustment Valve. Do not make this connection after the Priority/Rate of Flow Adjustment Valve as no water may be available at this connection.

Install the PAS discharge tubing into the tee fitting provided on the pump's upper face, hand tighten. Connect the opposite end of this tube to the manifold/pressure regulator provided by the filter manufacturer, see insert drawing.

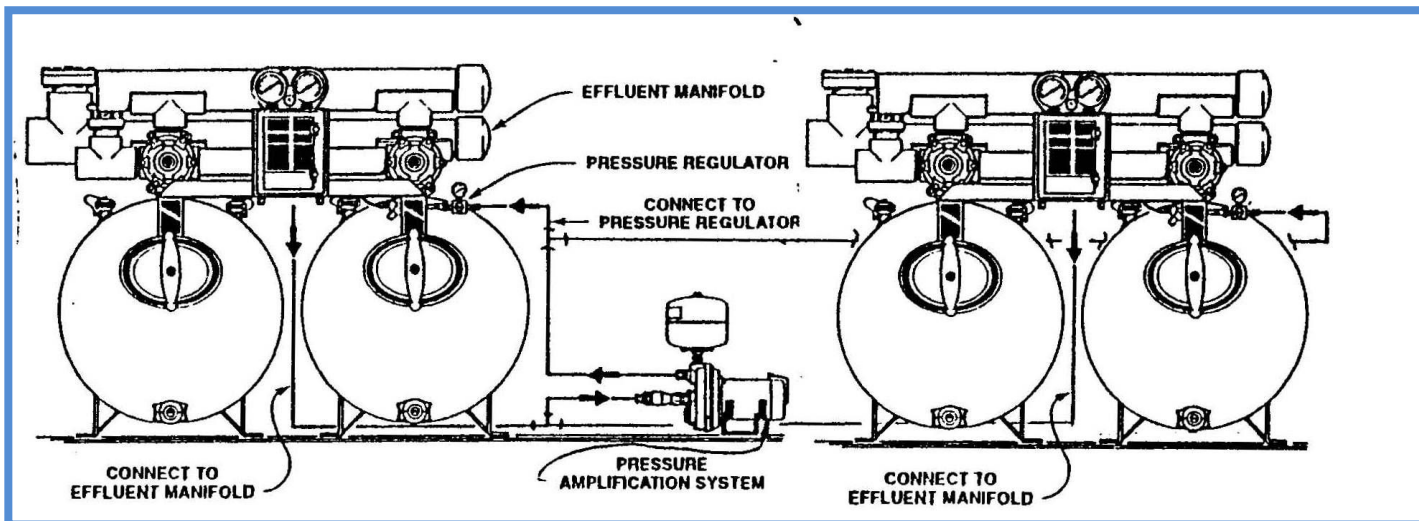


Cut tubing to the appropriate length, insert in fitting provided by filter manufacturer, hand tighten, no tools should be required.

Installation & Operating Instructions

HOOK UP OF PAS FOR TWO FILTER SYSTEMS

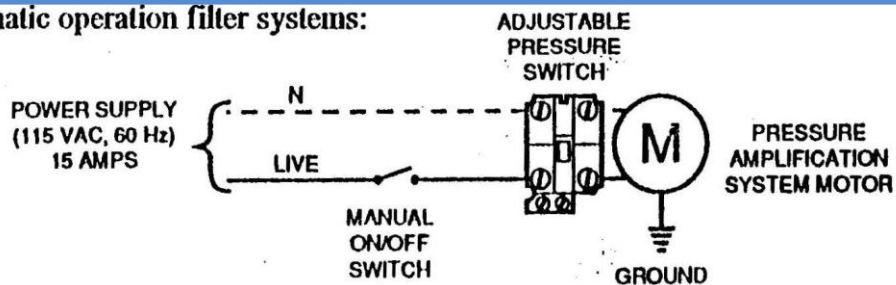
Two in-line tee fittings are provided with the PAS assembly. These tee fittings are to be used if two filter systems are employed and are to use one PAS. The tee fittings will allow connection of one additional suction and discharge point. Cut the tubing in a convenient location for the installation of these tees. Install additional tubing as required. See electrical hook up covering two filter installations.



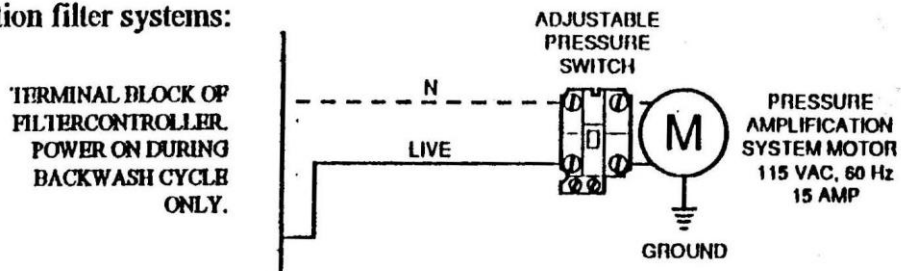
ELECTRICAL

NOTE: PAS is factory wired for operation with 115 VAC, 1 phase, 60 cycle.

For manual or semi automatic operation filter systems:



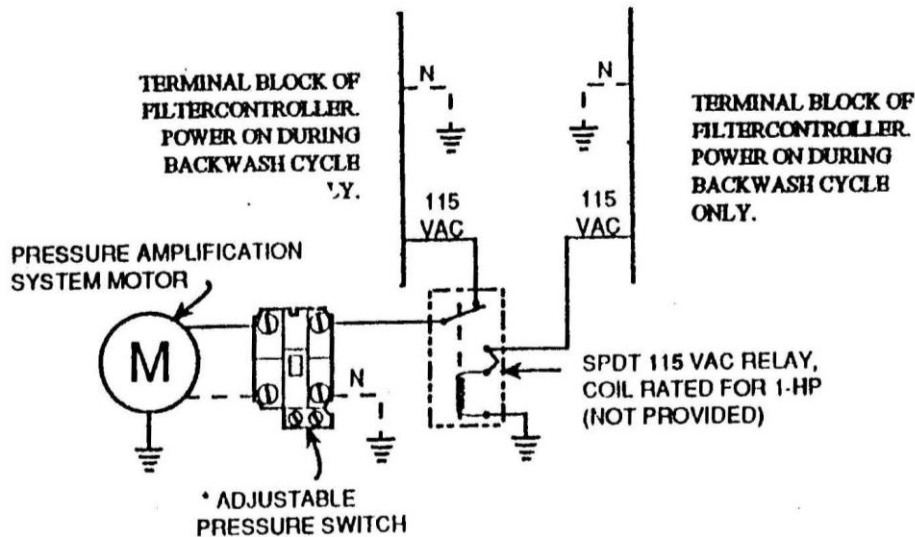
For fully automatic operation filter systems:



Installation & Operating Instructions

ELECTRICAL CONTINUED

For two fully automatic operation filter systems:



OPERATING INSTRUCTIONS

Manual or Semi-Automatic operation filtration systems will require the operator to turn on the PAS manually via a switch provided by the installer. The switch should be marked PAS and should be easily accessible by the operator.

Prior to the activation of the filter system's backwash mode the switch that activates the PAS should be turned on. The PAS will be left to run during the entire backwash mode. Following completion of the filter backwash mode the PAS switch will be turned off.

Fully Automatic operation filtration systems will not require the operator to turn on/off the PAS. The filter controller will provide on/off functions automatically.

WARRANTY

EKO³ Systems, Inc. (EKO³) warrants equipment of its manufacture and bearing its identification to be free of defects, workmanship and material. EKO³'s liability under this warranty extends for a period of one (1) year from date of installation.

EKO³ disclaims all liability for damage during transportation, for consequential damage of whatever nature, for damage to handling, inspection, installation or improper operation, and for determined suitability for the use intended by the purchaser (owner). Eko³ makes no warranties, either expressed or implied, other than those stated above.



2221 Standard Avenue
Santa Ana, Ca 92707
(800) 676 - SWIM