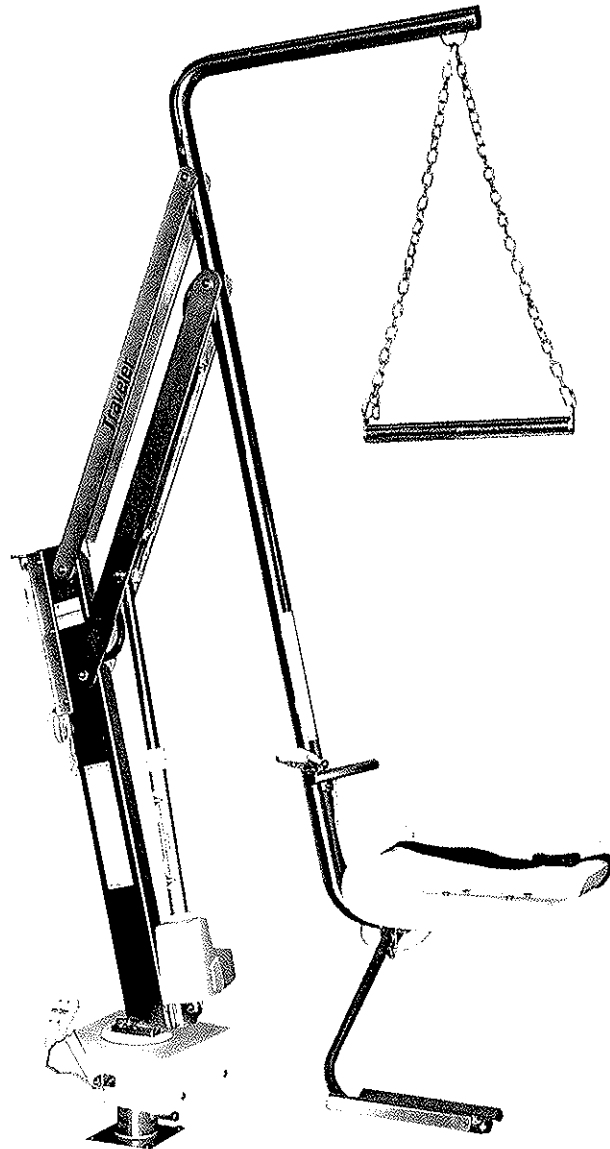


# Swim-Lift® Traveler™

Part Number 26700



## Owner's Manual Assembly, Installation and Operation

**SPECTRUM**  
*Products*®

7100 Spectrum Lane  
Missoula, Montana  
406.542.9781  
Fax: 406.542.1158

Congratulations! You have just purchased the finest pool access lift available today. Providing that the unit is installed correctly and properly maintained, it will furnish you with many years of trouble free use. It is important to read this entire manual before beginning assembly or operation.

## Index

	<b>Pages</b>
<b>Design Features</b>	<b>3-4</b>
<b>Basic Principle of Operation</b>	<b>5</b>
<b>Installation Overview</b>	<b>6</b>
<b>Unpacking and Inspection</b>	<b>7</b>
<b>Lift Assembly and Installation</b>	<b>8-10</b>
Tools Required	<b>10</b>
Lift Assembly	<b>11-15</b>
<b>Operator's Guide</b>	<b>16-17</b>
<b>Lift Operation</b>	<b>18-21</b>
Using the Traveler Transport System	<b>19</b>
<b>Care and Maintenance</b>	<b>22</b>
Troubleshooting	<b>22</b>

## Design Features

The Swim-Lift® Traveler™ is an assisted access-lifting device that is intended for the transport of an individual from a wheelchair, located on a swimming pool or spa deck - into the water, and from the water, to the deck and back into the wheelchair. The Traveler allows the individual to call for the lift and operate the lift, unassisted.

Each Swim-Lift® Traveler™ is manufactured to stringent engineering specifications and is subjected to rigid quality control, performance, and material standards.

### **Materials:**

All metallic components of the Swim-Lift® Traveler™ are manufactured of 304L stainless steel. These components are electro-polished followed by a passivation process, which ensures maximum corrosion resistance.

### **Lifting:**

A 24VDC powered linear (lifting) actuator with a 13-3/4-inch (35.0-cm) stroke provides the lift with 55-inches (139.7-cm) of vertical travel. The actuator has a maximum lifting force of 10,000 Newtons, giving the Swim-Lift® Traveler™ a lifting capacity of 400-pounds (181.44 kg) with a 1.5 safety factor.

### **Rotation:**

A 24VDC permanent magnet motor coupled to a spur gear provides 350 degrees of rotation. Safety stops built into the lift ensure that over-rotation cannot occur.

### **Power Supply:**

A sealed 24VDC battery mounted to the main support column provides power for lifting and rotation. The battery is rechargeable, and a battery charger is provided with each lift. Charging time is approximately four hours.

### **Motion Control:**

The lift's control box mounts directly under the battery, and delivers control voltages for lifting and rotation. It has a waterproof enclosure, and features short-circuit and over-voltage/current-limiting protection.

### **Handsets:**

Three (3) handset controls are provided with each Swim-Lift® Traveler™. Each handset has four (4) buttons for motion control; up, down, rotate forward and reverse. One handset is mounted to the armrest allowing for operation, one is mounted at pool/spa level – allowing for call, and the third is mounted at the pool/spa deck for call.

### **Overhead Transfer Assist:**

An exclusive feature, the Overhead Transfer Assist is used to transfer from a wheelchair to the Swim-Lift® Traveler™. The Overhead Transfer Assist includes a detachable support, attachment hardware, two stainless steel chains, and a handle made of stainless steel with a 1.50-inch (3.81-cm) outer diameter. The height of the handle is adjustable over a 9-inch (22.9cm) range.

### **Armrest:**

A fixed armrest is provided as an aid for transfer, and stability for the user when the lift is in motion. A handset control is attached to the armrest for motion control. An optional outside, swing up armrest is also available and may be added to an existing Traveler™.

### **Footrest:**

The Swim-Lift® Traveler™ features an adjustable stainless steel footrest. The surface of the footrest is 10-inches (25.4-cm) by 8-inches (20.3-cm), and swivels to accommodate self-adjustment. A locking adjustment screw provides 16-degrees of adjustment range.

**Seat Assembly:**

The seat is 18-inches (45.7-cm) high, 18-inches (45.7-cm) wide and 17 3/4-inches (45.1-cm) deep, and is of a double contour design to provide prolonged seating comfort. The seat is also foldable, which serves the dual purpose of keeping the seat surface cool while acting as a deterrent to unauthorized use. The fold-down feature uses a "No-Pinch" hinge with stainless steel hinge pins. An optional cushion is available.

**Seat Belt:**

The seat is equipped with a seat belt assembly to provide safety and stability during lift movement. The seat belt is made of 2-inch (5.1-cm) wide synthetic webbing, and employs a high-strength plastic quick release cam-lock buckle.

**Upper Body Restraint System:**

An upper body restraint system is available as an optional accessory and may be added to an existing Traveler™.

**Anchor:**

The Swim-Lift® Traveler™ utilizes one 1.9-inch (4.8-cm) I.D. by 6-inches (15.2-cm) deep, cast bronze anchor (Spectrum part number 23638-00). The anchor is sold separately; it is not included with lift.

**Protective Cover:**

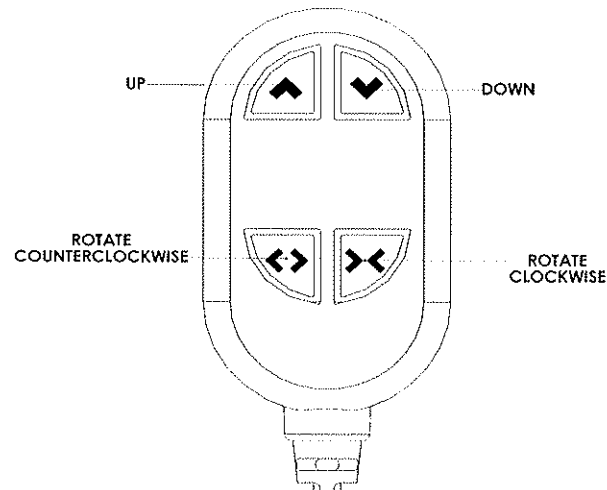
A removable polyethylene protective cover is available as an option for securing the lift when not in use. The cover protects the lift from vandalism, unauthorized use and from the environment. A warning sign is sewn to the outer surface of the cover, and is clearly visible from the pool/spa deck. (Spectrum part number 27365-00)

**Transport System:**

Designed specifically for the Swim-Lift® Traveler™, the Transport System makes the task of moving the lift safe and easy, and can be performed by one person. The Transport System is available as an option (Spectrum part number 206126-04).

## Basic Principle of Operation

The Traveler™ is mounted into a deck-mounted anchor and employs a mast, parallel lifting arms, a seat post, seat, seat belts, drive motors and controls, and is powered by a 24VDC rechargeable battery. The seat of the lift may be raised, lowered and rotated, allowing an individual needing assistance to enter a body of water. Three control points are provided, in compliance with the guidelines of the ADA. The Traveler™ is transportable via an optional cart.



### Lifting (UP)(▲):

Pressing the "UP" (▲) button causes the seat to rise. The seat will continue to rise as long as the "UP" button is pressed, or until the lift reaches its full up position. Releasing the button at any time during travel will also cause the lift to stop.

### Lowering (DOWN)(▼):

Pressing the "DOWN" (▼) button causes the seat to lower. The seat will continue to lower as long as the "DOWN" button is pressed, or until the lift reaches its full down position. Releasing the button at any time during travel will also cause the lift to stop.

### Rotation (Clockwise)(▶◀):

Pressing the "Clockwise" (▶◀) button causes the lift to rotate clockwise. The lift will continue to rotate in this direction as long as the button is pressed, or until the mechanical stop is reached, which limits rotation to 350 degrees. Releasing the button at any time during rotation will stop the lift from rotating.

### Rotation (Counterclockwise)(◀▶):

Pressing the "Counterclockwise" (◀▶) button causes the lift to rotate counterclockwise. The lift will continue to rotate in this direction as long as the button is pressed, or until the mechanical stop is reached, which limits rotation to 350 degrees. Releasing the button at any time during rotation will stop the lift from rotating.

## Installation Overview

Read all instructions before attempting to assemble or install the Traveler™.

### Clear Deck Space:

For reasons of safety and ADA guidelines, the lift must be installed in a location that is clear from obstacles and other hazards. Clear deck space can be seen as a rectangle that is adjacent to the pool wall. This rectangle is 112-inches (2844.8-cm) long (along the pool wall) and 74-inches (1879.6-cm) wide. This is the "worst case," with the lift at its lowest possible elevation (over the deck). (See drawing on page 9)

### Pool/Spa Depth:

Because the lift can be stopped at any position during lowering, there is no minimum pool depth requirement for the Traveler™. However, to comply with ADA guidelines the Traveler™ must be installed in a body of water with a depth of 48 inches, maximum.

### Anchor Location/Installation:

The Traveler™ anchor centerline must be no less than 6-inches (15.2-cm), but no greater than 33-inches (83.82-cm) from the pool/spa wall (or any feature that sticks out past the pool/spa wall, such as a coping).

The Traveler™ is installed in a single 1.90-inch (4.83-cm) anchor. The anchor is designed for installation into a concrete deck, and must be flush with the finished pool/spa deck.

### Existing Pools:

For existing pools, this will require core drilling or saw cutting of the deck. The anchor will be installed flush with the existing concrete surface. The anchor is to be bonded to the bonding grid. To bond the anchor, attach a #8 copper wire to the anchor body's bonding lug. **See Figure 1**

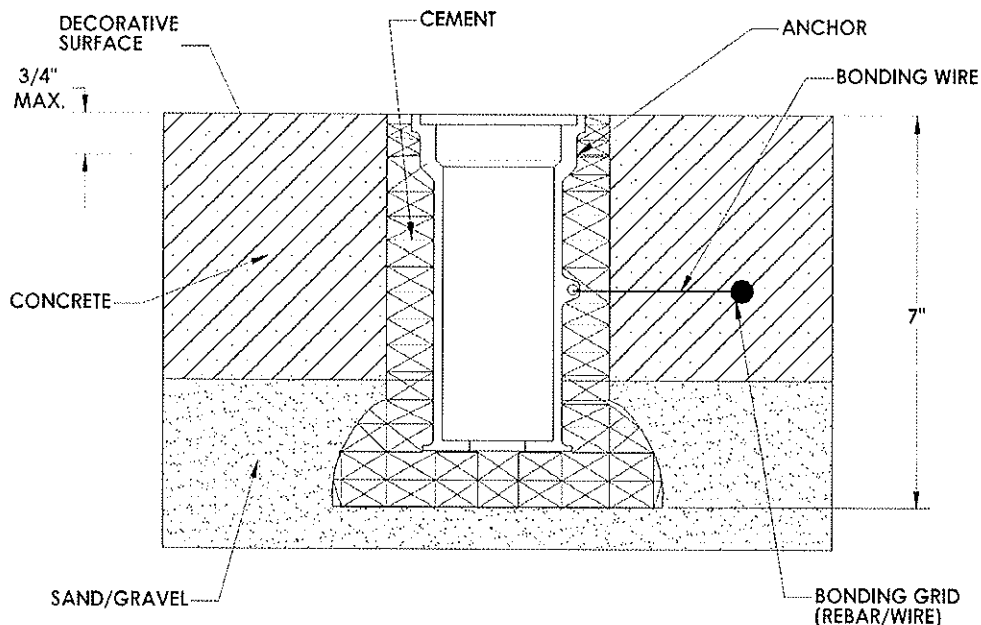


Figure 1

# Unpacking and Inspection

The Traveler™ is shipped on one skid and is partially assembled. Before accepting the Traveler™ from the carrier, inspect the skid and its contents for visible damage. Unpack and match the contents as listed below.

## Skid

- Superstructure of Traveler – partially assembled

## Box

- (1) Seat Arm Extension/Overhead Transfer Assist
- (1) Footrest
- (1) Folding Seat
- (1) Seat Belt
- (1) Control Box/M5 x 10mm LHCS
- (1) Battery Pack
- (1) Battery Charger w/Charger Bracket/Cord Keeper/ AC Cord
- (1) Hardware Package/Alignment Tool

## Tools Required

The following tools and materials are required for assembly and installation:

- 4-inch diameter core-drill bit (existing pool/spa only)
- Core-drilling rig (existing pool only)
- Anchoring Cement (ROCKITE®) (existing pool/spa only)
- Marking pen or chalk (existing pool/spa only)
- 1/2-inch and 9/16-inch open-end wrenches
- 1/2-inch and 9/16-inch sockets w/ratchet handle
- 3/16-inch and 5/32-inch Hex Key (Allen Wrench)
- Carpenter's level (4-foot)
- Hammer
- Tape measure
- Utility knife
- Masking tape
- #8 Copper Wire

# Lift Assembly and Installation

At least two (2) people will be required for several steps of the assembly and installation. Keep in mind that assembly/installation time will vary depending on whether this is for new construction or an existing pool, but standard assembly and installation should take approximately two hours.

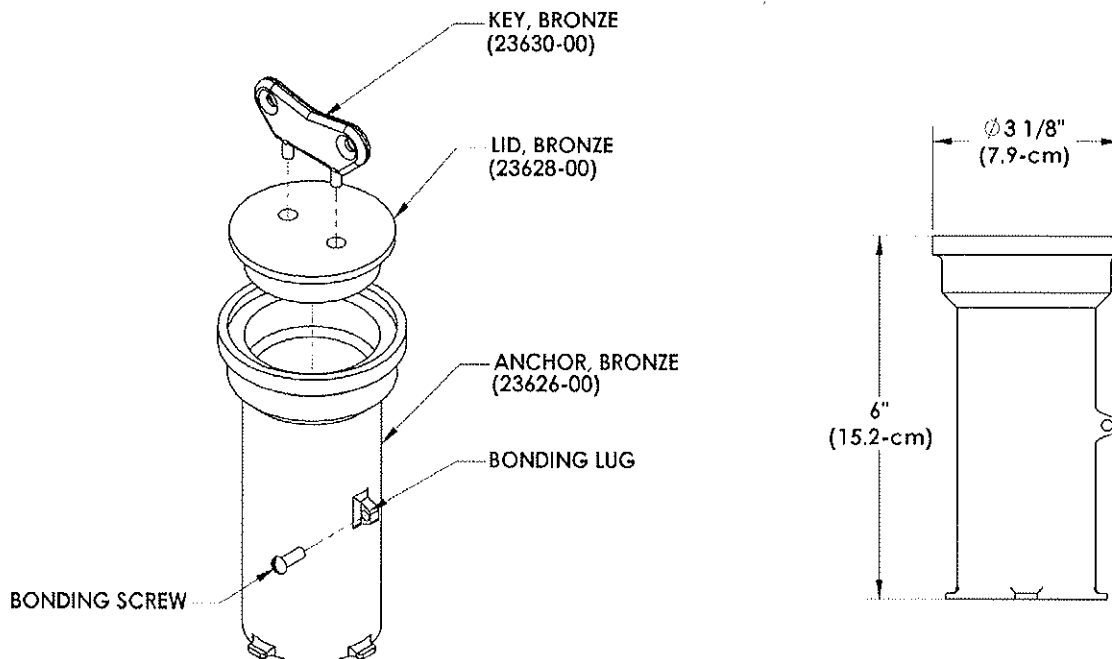
## ANCHOR LOCATION:

(See Installation Overview) Determine a suitable location for the lift. It is recommended that the Traveler™ be installed in or near the shallow end of the pool with sufficient deck space and operational area in the pool. In addition, all installations should be in accordance with the ADA guidelines (ADA guidelines are available at the website [www.access-board.gov](http://www.access-board.gov)).

**NOTE:** Do not locate the lift in a corner or directly adjacent to pool ladders/handrails or grab rails.

**STEP 1: ANCHOR INSTALLATION: EXISTING POOL – if new construction, proceed to STEP 2**

**NOTE: STEP 1A through 1D and STEP 2** require the optional Anchor Kit (Part Number 26368-00).



**ANCHOR KIT  
PART NUMBER: 23638-00**

**Figure 2**



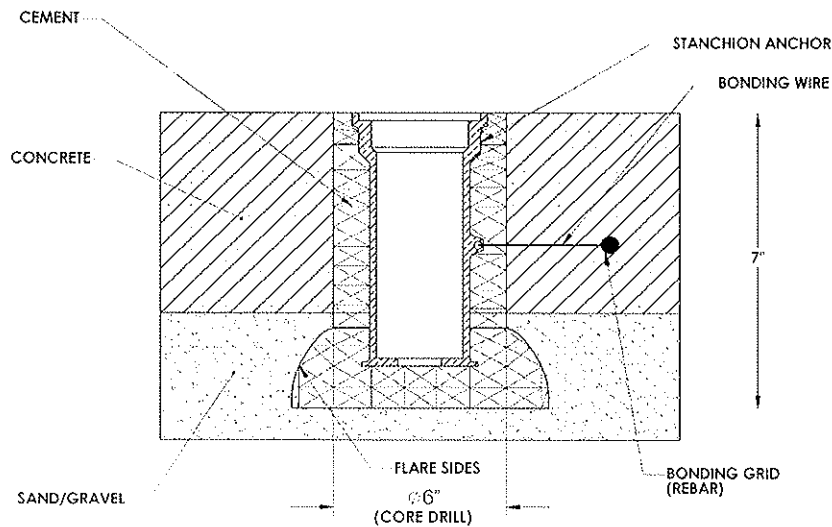
**A: DETERMINE/MARK ANCHOR LOCATION**

After determining the exact anchor location ("Installation Overview", pg 6), mark the center of the anchor location using a marking pen or chalk.

**B: CORE DRILL THE ANCHOR HOLE**

Install a 6-inch (15.24cm) core drill bit in the core-drilling rig. Measure up from the cutting edge of core drill 7-inches (17.8cm) and wrap masking tape around the bit to mark the depth of the hole to be drilled. Follow the instructions that come with the core drilling rig, and drill a vertical hole at the marked location 7-inches (17.8cm) deep. Remove all debris from the hole. Flare the sides outwards towards the bottom of the hole. See **Figure 3**.

**NOTE:** Most concrete pool/spa decks are 4-inch (10.16) to 6-inches (15.24cm) thick, so drilling will go through the slab and into the sand/gravel bed underneath. This makes the core easy to remove. In the event that the slab is over 7-inches (17.8cm) thick, the concrete core will not come out with the drill bit and will need to be removed with a chisel and hammer or an impact hammer. Alternatively, the concrete may be drilled deeper, and then backfilled with sand and gravel to the proper depth.



**Figure 3**

Attach a #8 copper bonding wire (not included) to the anchor's bonding lug and bonding grid.

**NOTE:** Article 680 of the National Electrical Code requires bonding of all metallic components in relationship to pools and spa.

**C: FILL HOLE 1/2 FULL WITH EXPANSION CEMENT, INSTALL ANCHOR**

Using masking tape, cover the bottom hole of the anchor so that concrete may not enter. Cover the top of the anchor with masking tape – protecting inside of anchor from concrete.

Fill the hole that has been drilled in to the concrete deck ½ full of ROCKITE® (or other anchoring expansion cement). Immediately insert and set the anchor in the drilled hole, adjusting the anchor's position so that it is flush with the pool/spa deck and is also square to the surface of the pool/spa deck.

**D: FILL AROUND ANCHOR WITH CEMENT, ALLOW TO SET**

Pour cement around the anchor until it fills the drilled hole up to the finished deck surface. Allow at least 7-day for the cement to set (Read the instructions that come with the cement. Setting times may vary).

**STEP 2: ANCHOR INSTALLATION, NEW CONSTRUCTION – If existing installation proceed to Lift Assembly STEP 3:**

See Step 1 for anchor location suggestions. Install Anchor Assembly during construction. Anchor must be level in all directions, and flush with finished deck. Deck concrete must be at least 4-inches (10.2-cm) thick, 4-feet (121.9-cm) wide, and must have a volume of at least 13 cubic-feet (.368 m<sup>3</sup>). Install the anchor with the anchor centerline at least 6-inches (15.2-cm) but no greater than 18-inches (45.7-cm) from the pool/spa wall (or any feature that sticks out past the pool/spa wall, such as a coping).

Attach a #8 copper bonding wire (not included) to the bonding lug and bonding grid. Mask the bottom hole of the anchor before installing the anchor into the concrete.

***NOTE: Article 680 of the National Electrical Code requires bonding of all metallic components in relationship to pools and spa.***

## LIFT ASSEMBLY

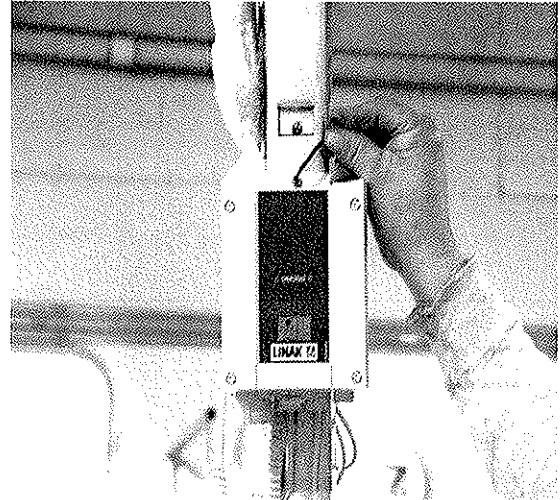
### STEP 3: STAND THE LIFT UP, SET IN ANCHOR

Stand the lift up on its anchor post, and then set the post into the anchor that is installed in the pool/spa deck. Two people may be required for this step. After setting the lift in the anchor, the packing material protecting the lift's components may be removed.

### STEP 4: INSTALL CONTROL BOX ONTO MAIN SUPPORT

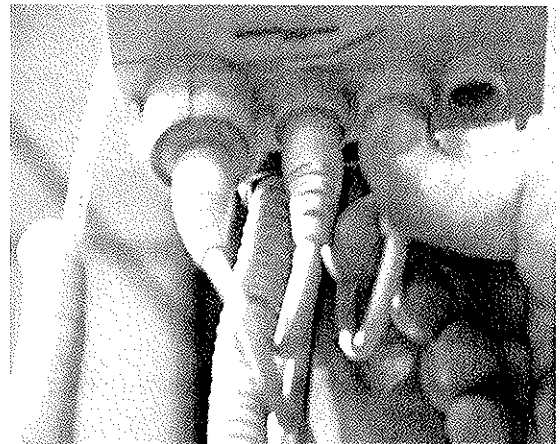
Locate the Control Box and the M5 x 10mm Low Head Cap Screw (packaged together). Locate the Battery/Control Box Bracket, factory mounted to the Main Support. Slide the Control Box onto the bracket as shown, until the slots on the lower back of the Control Box slide over the tabs on the Battery/Control Box Bracket.

*Line up the mounting hole at the top of the Control Box with the threaded hole near the middle of the bracket. Attach the Control Box to the bracket using the M5 x 10mm Low Head Cap Screw and tighten with a 3mm Hex Key as shown. Tighten the cap screw firmly (hand tight).*



*Remove the tape from the three plugs attached to the back of the Main Support. Plug the largest plug (8-Pin DIN) into the first jack (left in picture) making sure to line up the square tab. Push the plug up into the jack until it is about 1/8-inch recessed inside the jack as shown. Next plug the plug marked "1" into the next jack (1, middle). Make sure it goes all the way in until the plug is slightly recessed. Plug the last plug into the right jack (2) all the way in.*

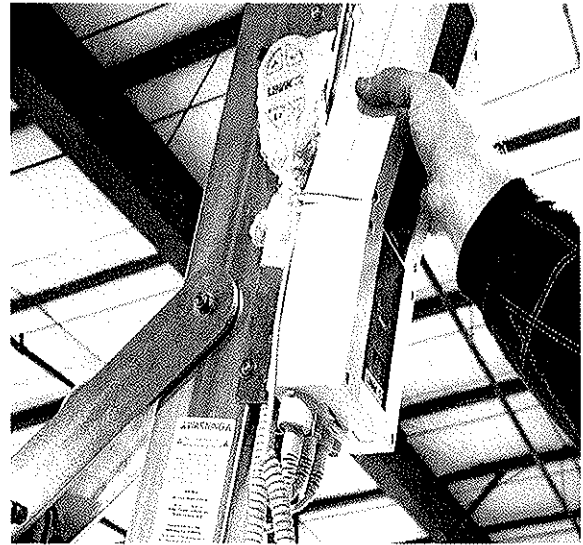
**NOTE:** Make sure the plugs are inserted all the way. The lift will not operate correctly if the plugs are not installed properly.



### **STEP 5: INSTALL BATTERY & ATTACH LINEAR ACTUATOR**

Locate the Battery. Install the Battery onto the Battery/Control Box Bracket as shown below.

*Slide the battery down until it mates with the Control Box. Push the battery in until it locks into place. When properly installed the battery will sit flush against the top of the Control Box, and will line up vertically. The Control Box should indicate a fully charged Battery (four dark bands).*



### **STEP 6: ATTACH OVERHEAR EXTENSION ARM**

Locate the Overhead Extension Arm and following hardware.

- (1) 3/8-inch x 2 1/2-inch Hex Head Bolt
- (2) 3/8-inch Flat Washer
- (1) 3/8-inch Nylock Nut

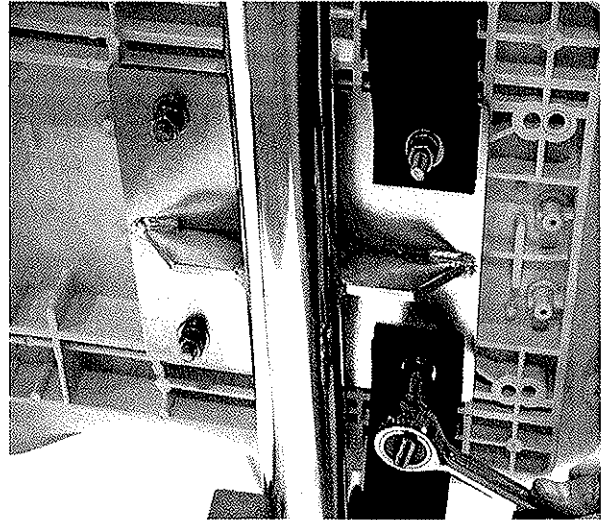
Insert the end of the Seat Arm Extension into the top of the Seat Arm as shown on the page 25, and line up the holes. Install the 3/8-inch x 2 1/2-inch Hex Head Bolt with 3/8-inch washer. Attach the 3/8-inch flat washer and 3/8-inch Nylock Nut. Tighten securely.

### **STEP 7: ATTACH SEAT & SEAT BELT TO SEAT ARM**

Locate the Folding Seat and the Seat Belt. Attach the Folding Seat and the Seat Belt to the mounting plate of the Seat Arm as shown using the following hardware:

- (2) 5/16-inch-18 x 2-inch Carriage Bolts (front two holes)
- (2) 5/16-inch-18 x 1 3/4-inch Carriage Bolts (rear two holes + seat belt)
- (4) 5/16-inch Flat Washers
- (4) 5/16-inch Lock Washers
- (4) 5/16-inch Hex Nuts

*Tighten the Hex Nuts using a ½-inch socket or combination wrench. Tighten the nuts firmly.*

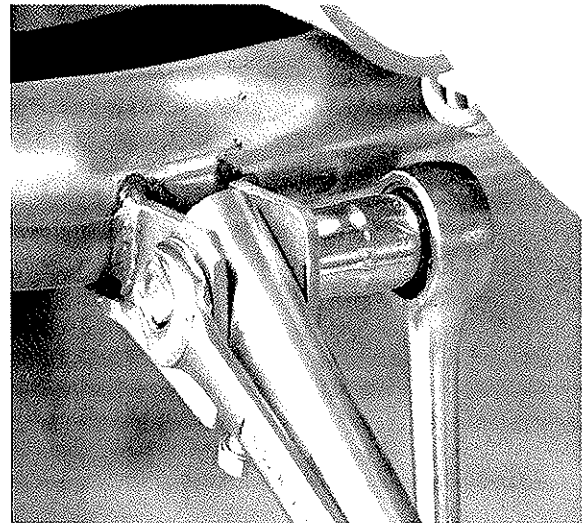


#### **STEP 8: ATTACH FOOTREST AND ADJUSTABLE HARDWARE TO SEAT ARM**

Locate the Footrest. Attach the Footrest to the Seat Arm using the following hardware:

- (1) 3/8-inch-16 x 2-inch Hex Head Bolt
- (2) 3/8-inch Flat Washers
- (1) 3/8-inch Nylock Nut

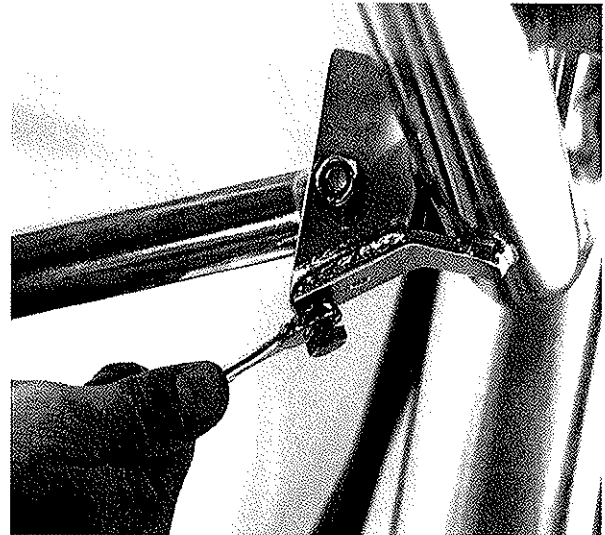
*Tighten the bolt until the flat washers are snug, and then back off until the Footrest pivots freely.*



Tilt the Footrest upwards slightly and install the following hardware for footrest adjustment as shown on the previous page:

- (1) 5/16-inch-18 x 1-inch Hex Head Bolt
- (1) 5/16-inch Lock Washer
- (1) 5/16-inch Hex Jam Nut

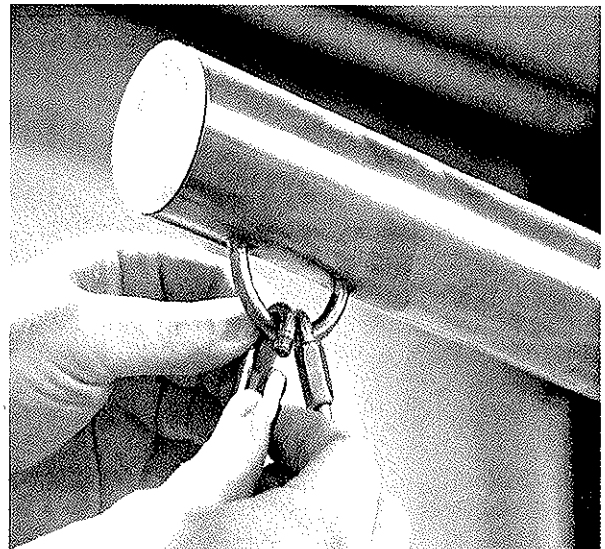
To adjust the Footrest, loosen the 5/16-inch Hex Jam Nut with a ½-inch open-end wrench, adjust the Hex Bolt, in or out (in for up, out for down), and then re-tighten the Hex Jam Nut.



### **STEP 9: ATTACH OVERHEAD TRANSFER ASSIST BAR AND CHAINS**

Locate the Overhead Transfer Assist Bar, Chains and Quick Links. Loosen the nuts on the quick-links and connect the bar, chains and overhead transfer arm as shown.

Hand-tighten the quick link nuts as shown.

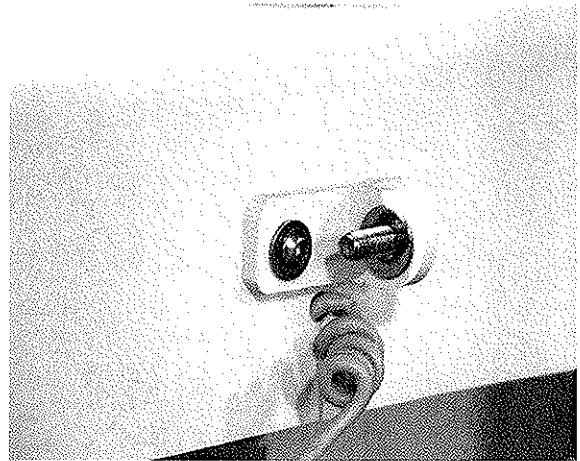


### **STEP 10: ATTACH POOL-HANDSET BOOM TO LIFT BASE**

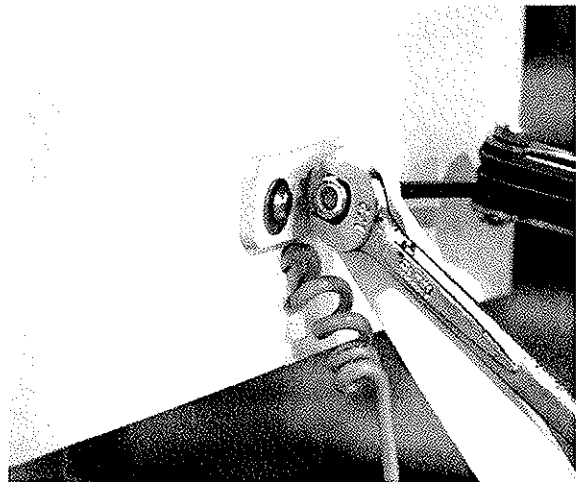
Remove the packing from the Handset Boom. Attach the Handset Boom to the bracket using the following hardware:

- (1) ¼ - 20 x 1-inch Button Head Cap Screw
- (2) ¼-inch Flat Washers
- (1) ¼-inch Nylock Nut

Install a ¼-inch Flat Washer onto the ¼-inch-20 x 1-inch Button Head Cap Screw. Slide the cap screw/washer into the mounting hole of the plastic bracket from the right side. Install another ¼-inch Flat Washer onto the cap screw. With the Handset Control facing right-ways up, slide the mounting hole of the Handset Boom over the end of the cap screw. Install a ¼-inch Flat Washer and a ¼-inch Nylock Nut onto the end of the cap screw. Tighten the Nylock Nut using a 7/16-inch wrench and a ¼-inch Hex Key as shown.



Tighten the nut until the washers are just snug, but the boom pivots and stays in place. Adjust the Handset Boom to the desired angle.



#### **STEP 11: ROTATE LIFT TOWARD POOL/SPA, TEST HANDSETS**

The Pool Handset (attached to the base) should be facing the pool/spa, as indicated by the sticker on the top of the Main Cover on the base. Grasp the lift by the Seat Arm and Main Support and rotate the Traveler™ in the anchor until the Pool/Spa sticker is pointing towards the pool/spa. This is the normal operating position for the lift. Locate the Deck Handset (top of Main Support, near battery) and remove it from its storage clip. Stand on the same side of the lift as the storage clip (right side). Press the up control button (▲) and raise the seat to its Full Up position. Press the clockwise rotation control button (▶◀), rotating the lift's seat to the **over the deck** position. Press the down control button (▼) lowering the lift until the bottom of the seat is approximately 18-inches above the deck, or allowing for ease of transfer (**deck rest** position). **Do not** position yourself on the deck so that you are in the path of the lift's seat during its ascent to the **deck rest** position – you may be seriously injured.

Sit in the seat and test the seat handset control.

The Traveler™ is now ready for operation.

# Operator's Guide

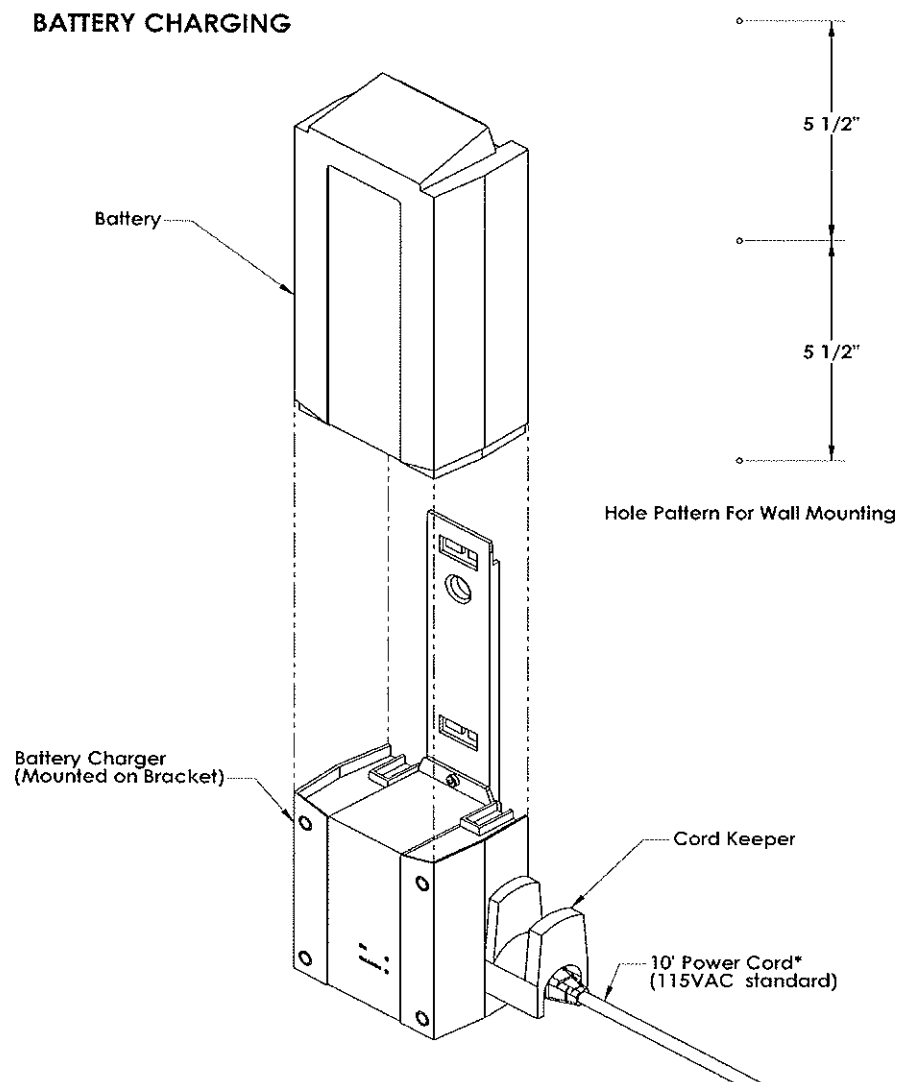
## BATTERY CHARGING & INSTALLATION

The battery comes fully charged, and will need charging after several hours of use. Charging time is approximately four hours. The Traveler™ comes with a battery charger. The battery charger comes with a bracket for wall mounting. For wall mounting, use three #8 or #10 wall anchors spaced 5 ½-inches apart (vertically). Charge the battery as follows:

- Plug the battery charger into an 115VAC\* outlet. The green LED on the charger will light up, indicating that the charger is on.
- Slide the battery onto the bracket and onto the charger. The yellow LED (lower) will light up, indicating that the battery is being charged.
- The yellow LED will go off when the battery is fully charged.

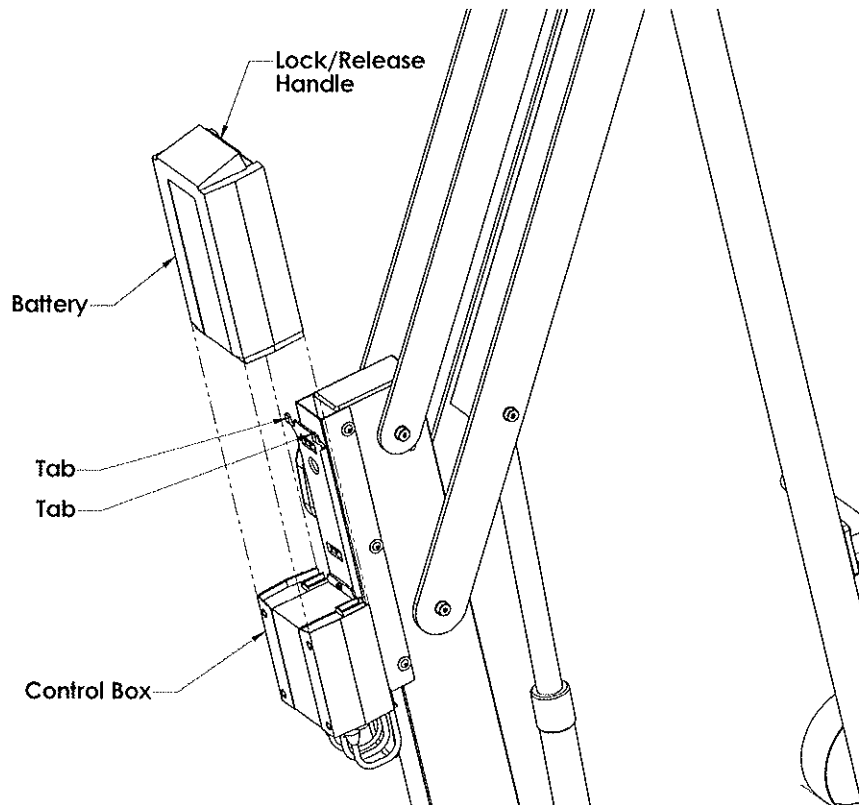
**\*Charger accepts 100-250VAC. Optional cords available from Spectrum for use outside U.S.A.**

**NOTE: For 230/240VAC operation, optional power cords are available from Spectrum**

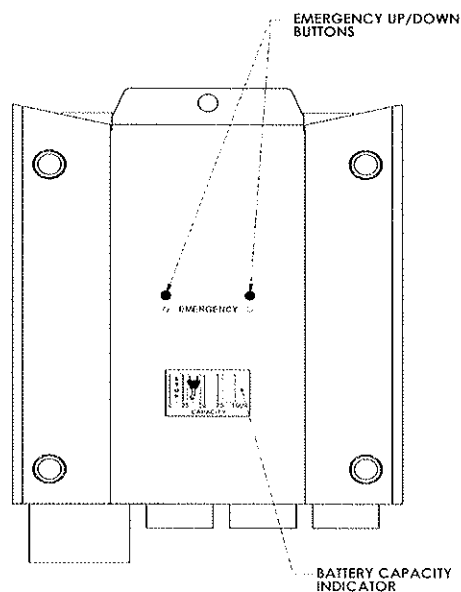




When the battery is fully charged, remove it from the battery charger and install the battery on the Traveler™ as shown below. The Battery Capacity Indicator will show four black bands, indicating that the battery is fully charged and installed properly.



To activate the Emergency Up/Down buttons, push the desired button in with the end of a ballpoint pen until it clicks. These buttons can be used if the handsets are not working.



CONTROL BOX

## Lift Operation

**WARNING!** Read all operating instructions before operating the lift. Make sure that all individuals using the lift have read the instructions and have been made aware of all safety precautions.

**WARNING!** Operate the lift exactly as described in the instructions below. Failure to do so may result in damage to the lift or personal injury.

**WARNING!** Do not exceed the maximum lifting capacity of 400 lbs (181.4 kg). This may result in damage to the lift or personal injury.

**WARNING!** Do not drive the lift directly into the deck or pool/spa wall. This may result in damage to the lift or personal injury.

### LIFT CONTROLS:

The Traveler™ comes with three (3) handsets for operating the lift. Each handset has four (4) control buttons, which are as follows:

- Up (▲)
- Down (▼)
- Rotate Counterclockwise (◀▶)
- Rotate Clockwise (▶◀)

The control buttons will move the lift in the indicated direction as long as the button is pressed. Releasing the button at any time will stop the lift from moving.

### DESCEND FROM DECK INTO SWIMMING POOL/SPA (DOWN) (▼)

1. If the lift's seat is in the swimming pool or spa – press the up control button (▲) to raise the lift's seat until the seat is fully elevated. Press the clockwise rotation control button (▶◀), rotating the lift's seat to the **over the deck** position. Press the down control button (▼) lowering the lift until the bottom of the seat is approximately 18-inches above the deck, or allowing for ease of transfer (**deck rest** position). Do not position yourself on the deck so that you are in the path of the lift's seat during its ascent to the **deck rest** position – you may be seriously injured.
2. With the lift seat at the **deck rest** position, no longer moving, transfer to the lift's seat and fasten the seat belt.
3. Place your feet on the footrest.
4. Press the counterclockwise rotation control button (◀▶), rotate the lift's seat to the **over the water** position.
5. Press the lift's down control button (▼), lowering the lift's seat into the water.
6. After the lift's seat is fully submerged, and the lift is no longer moving, remove the seat belt and move away from the lift.

### ASCEND FROM SWIMMING POOL/SPA TO DECK (UP) (▲)

1. If the lift's seat is not in the swimming pool or spa, but is at the **deck rest** position – press the counterclockwise rotation control button (◀▶), rotating the lift's seat to the **over the water** position. Press the down control button (▼) to lower the lift's seat into the water. The seat bottom should be lowered to approximately 18-inches below the water surface. Do not position yourself so that you are in the path of the lift's seat during its descent into the water – you may be seriously injured.
2. With the lift's seat in the water at the **in pool rest** position, no longer moving, transfer to the lift seat and fasten the seat belt.
3. Place your feet on the footrest.
4. Press the lift's up control button (▲), raising the lift's seat out of the water.
5. Press the clockwise rotation control button (▶◀), rotating the lift's seat to the **over the deck** position.

6. Press the lift's down control button (▼), lowering the lift until the bottom of the seat is approximately 18-inches above the deck, or allowing for ease of transfer.
7. After the lift' seat is at the **deck rest** position, no longer moving, remove the seat belt and transfer out of the lift's seat.

## Using the Traveler™ Transport System

**WARNING! Do not transport the lift with the battery attached. Do not attempt to use power to remove the lift from the anchor.**

**WARNING! Always transport the lift using the entire Transport System. Do not attempt to move the lift using only part of the system.**

The Traveler™ Transport System (optional) was designed to make moving the Traveler™ Swim Lift® safe and easy. Please read this entire section before attempting to use the Transport System, and make sure all pool/spa personnel are instructed in it's use.

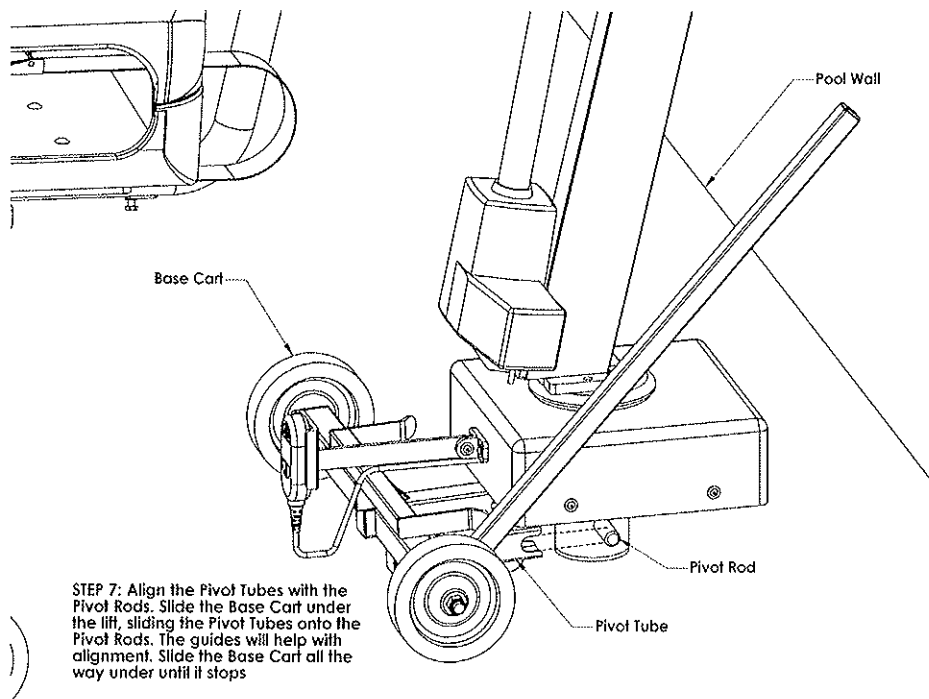
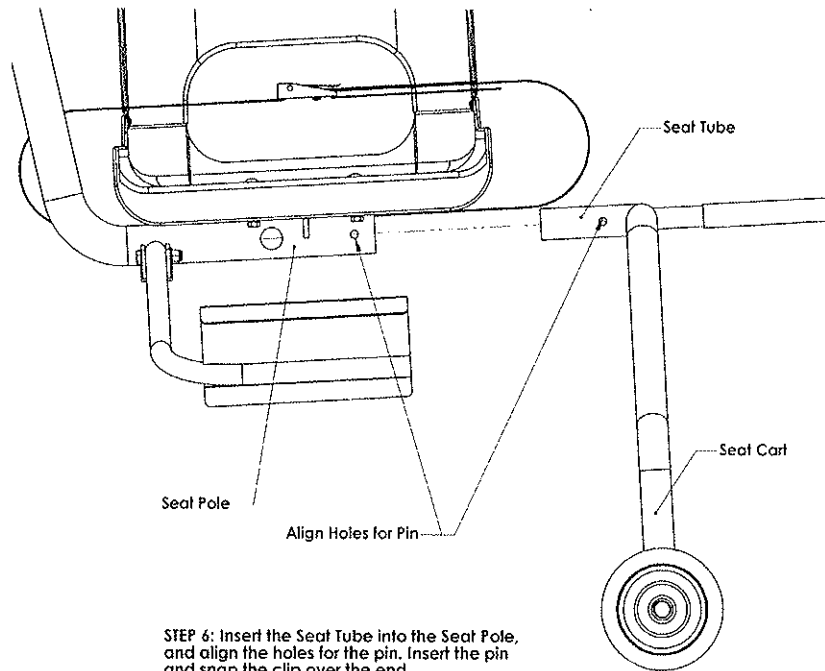
### REMOVAL AND TRANSPORT FROM POOL/SPA SIDE

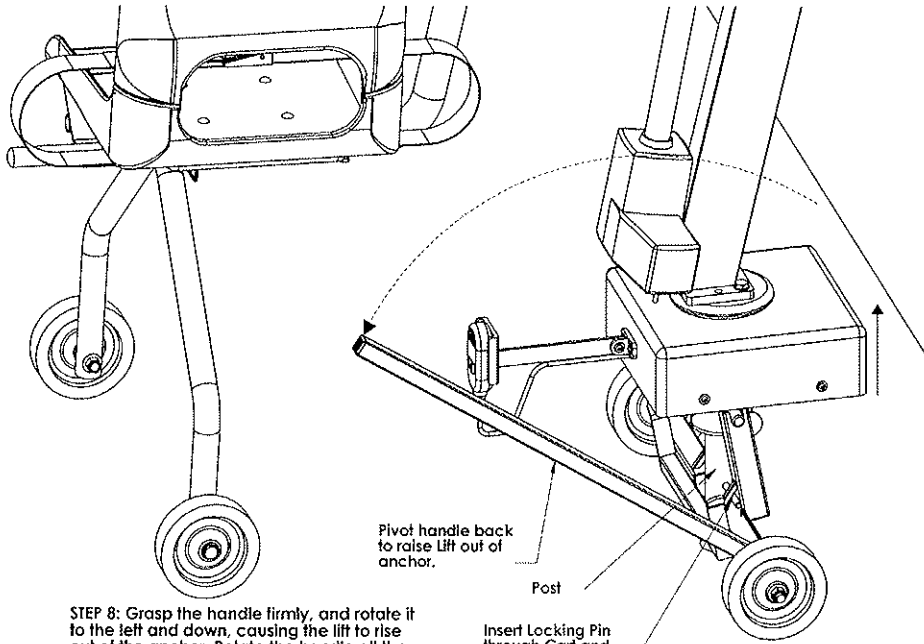
1. Press the lifts up control button (▲) raising the seat to its highest position.
2. Rotate the lift to the **over the water** position.
3. Remove the battery.
4. Grasp the lift by the seat pole and main support, and turn the entire lift in the anchor until the pool/spa arrow is pointing away from the pool/spa (180 degree rotation).
5. Locate the Seat Cart portion of the Transport System. Remove the captive pin from the seat tube.
6. Align the seat tube with the lift's seat pole. Insert the seat tube into the seat pole and align the holes for the pin. Insert the pin and snap the clip over the end.
7. Locate the Base Cart portion of the Transport System. Remove the Locking Pin. Align the Pivot Tubes of the Base Cart with the Pivot Rods of the base (at the very bottom of the lift). Slide the Base Cart under the base of the lift, and slide the Pivot Tubes onto the Pivot Rods. The guides on the Base Cart will help with alignment. Slide the Base Cart all the way under the base until it stops. Check to make sure that the Pivot Tubes have mated with the Pivot Rods. **DO NOT** proceed to the next step until the Base Cart is mated properly.
8. Grasp the handle of the Base Cart firmly and rotate it to the left and down. This will cause the lift to rise out of the anchor. Rotate the handle until the Post is completely out of the anchor, and the Post comes to a stop against the Base Cart. This will align the hole in the Post with the Base Cart. Maintain pressure on the handle until the Locking Pin is inserted (Step 9).
9. Insert the Base Cart Locking Pin through the Pin Gusset, the hole in the Post, and then the other Pin Gusset. Release the handle. The lift is ready for transport. **DO NOT** attempt to move the lift without the Locking Pin in place.
10. Roll the lift away from the pool/spa and to the storage area. Use the handle on the Seat Cart to help steer (lift up with the handle and pivot on the two front wheels).

### TRANSPORT AND INSTALLATION AT POOLSIDE

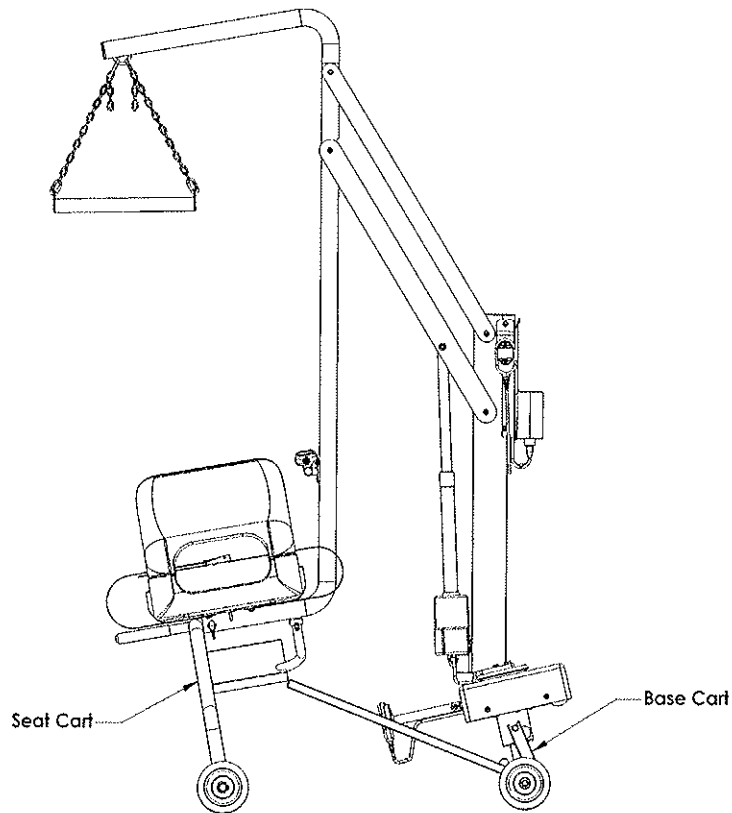
1. Roll the lift out of the storage area to the pool. Use the handle on the Seat Cart to help steer (lift up with the handle and pivot on the two front wheels).
2. As you approach the anchor, line up the post with the anchor. Use the handle to steer and guide the lift until the post is over the anchor.
3. Grasp the handle of the Base Cart firmly, so that it will not rotate while removing the locking pin. Reach down with your other hand (right) and carefully remove the locking pin. Continue to apply downward pressure to the handle to keep the lift still.
4. Slowly rotate the handle to the right and up, which will cause the lift to go down towards the anchor. **GO SLOWLY!** Watch the end of the post as it goes down. Move the lift as necessary to help guide the post into the anchor. When the handle is past half way, the lift will start moving down by itself, so hold the handle firmly at all times. Ease the lift down into the anchor, until the handle stops rotating. The lift should be flush with the top of the anchor.

5. Slide the Base Cart out from under the lift. Stow the locking pin in its hole and put the Base Cart in its storage location.
6. Unclip the captive pin on the Seat Cart and remove it from the hole.
7. Slide the Seat Cart out from the Seat Pole and replace the captive pin. Put the Seat Cart in storage.
8. Replace the Battery.





STEP 8: Grasp the handle firmly, and rotate it to the left and down, causing the lift to rise out of the anchor. Rotate the handle all the way down, until the Post comes to rest on the inside of the Base Cart. Maintain pressure on the handle until the Locking Pin has been inserted.



# Care and Maintenance

The following should be performed periodically to ensure safe and dependable use.

1. Remove any discoloration with a 3M scratch pad (stainless steel components only). Wipe clean with a sponge dampened with non-chlorinated water. Repeat these steps several times to passivate the stainless steel. Cleanup kits are available from Spectrum (Part Number 202050-00). Do not spray with high-pressure water.
2. Clean the linear actuator with a brush and water. Wipe down with a sponge dampened with non-chlorinated water. Do not spray with high-pressure water.
3. Check all electrical connections – make sure all of the plugs going into the control box are all the way in. Check any external electrical cables for wear and/or breakage in the outer insulation.
4. Inspect the control box for mechanical damage or wear.
5. Clean the control box with a brush and water. Wipe down with a sponge dampened with non-chlorinated water. Do not spray with high-pressure water.
6. Check all mechanical connections – inspect the Nylock Nuts on all moving parts and make sure they are snug. Inspect the hardware under the seat – make sure the Hex Nuts are tight. Check the bolts at the base of the Main Support. Tighten as needed.

**WARNING! Never spray directly on to the linear actuator or control box with a high-pressure cleaner.**

## Troubleshooting

<b>Problem:</b>	<b>Cause:</b>	<b>Solution:</b>
1. The seat will not raise or lower. The seat will not rotate.	Low battery Battery not installed properly Control Box malfunction Broken cable	Recharge battery Reinstall battery Replace Control Box* Replace cable*
2. The seat's motion isn't smooth or sticks at a certain point during travel.	Excessive wear to bearings Broken Cable	Replace bearings* Replace Cable*
3. The seat travels much slower than normal.	Low battery Defective or worn-out battery	Recharge battery Replace battery*
4. The lift makes much more noise or unusual noises during operation.	Excessive wear to bearings Broken bearings	Replace bearings*

\* Please contact your local distributor or Spectrum Customer Service to order parts.