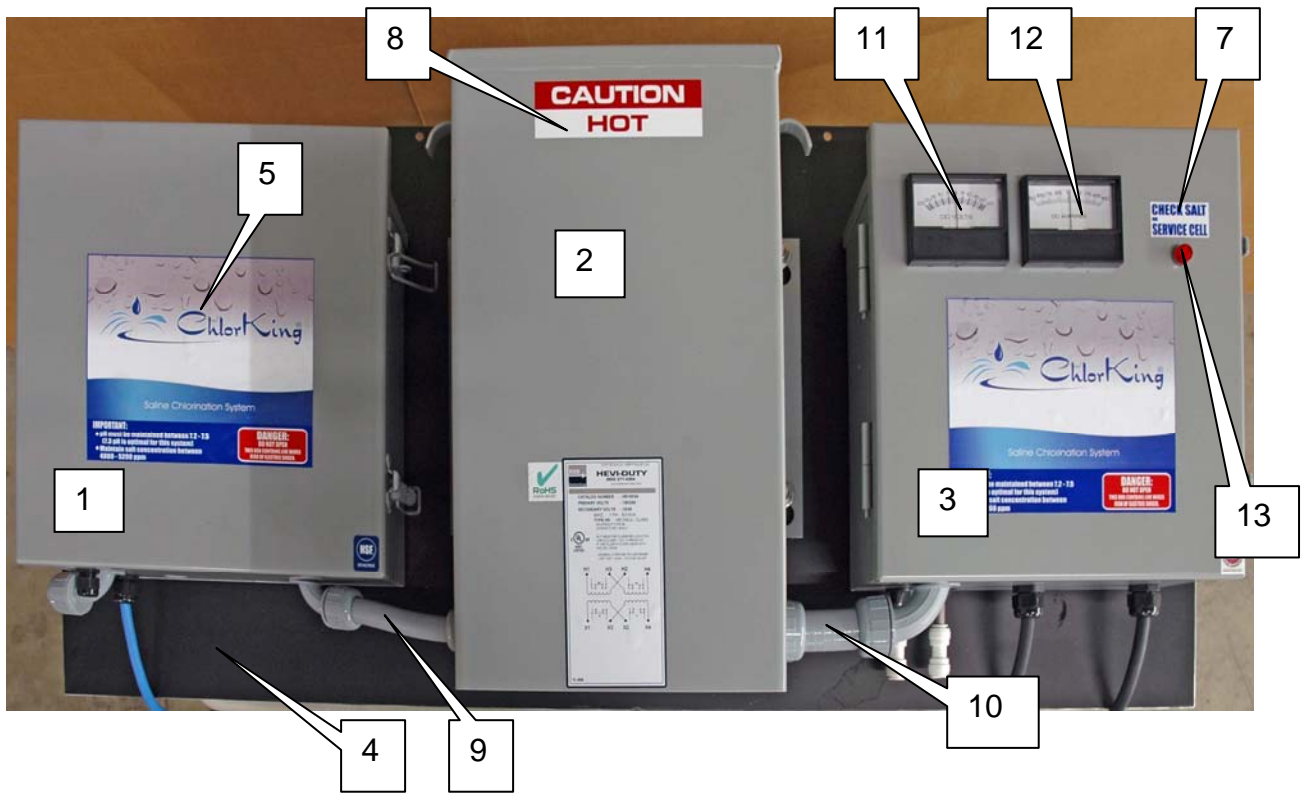


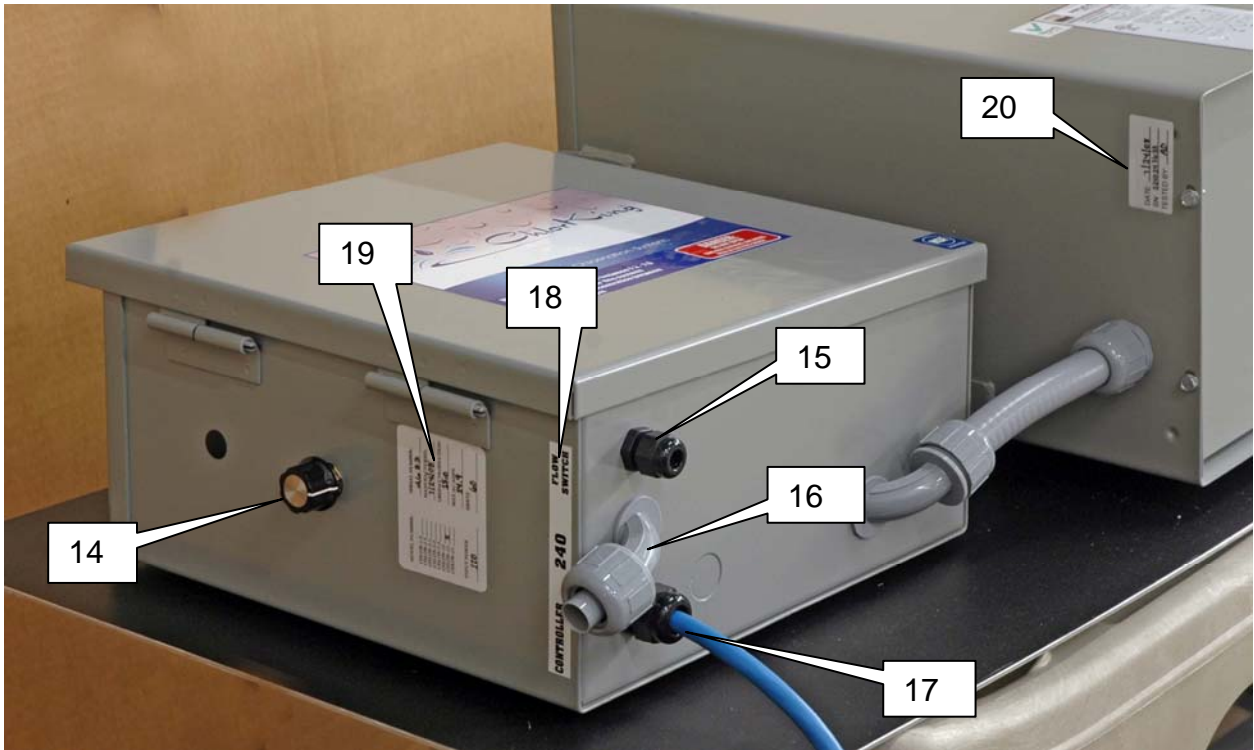


Parts Guide

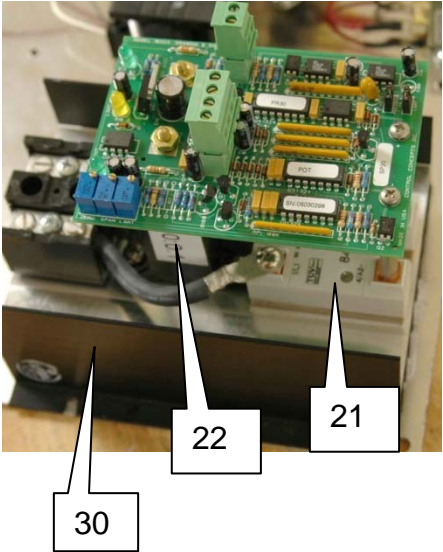
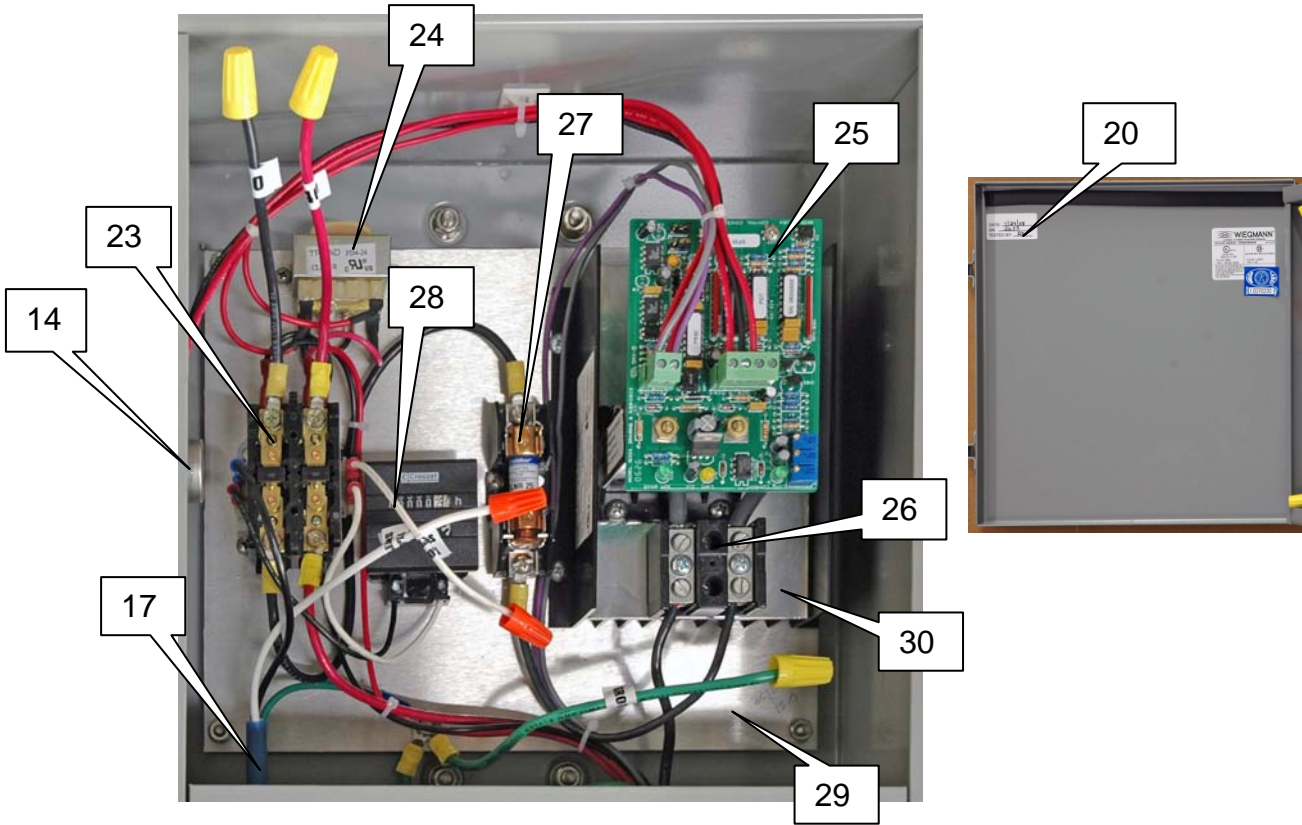
15.0 LB ChlorKing



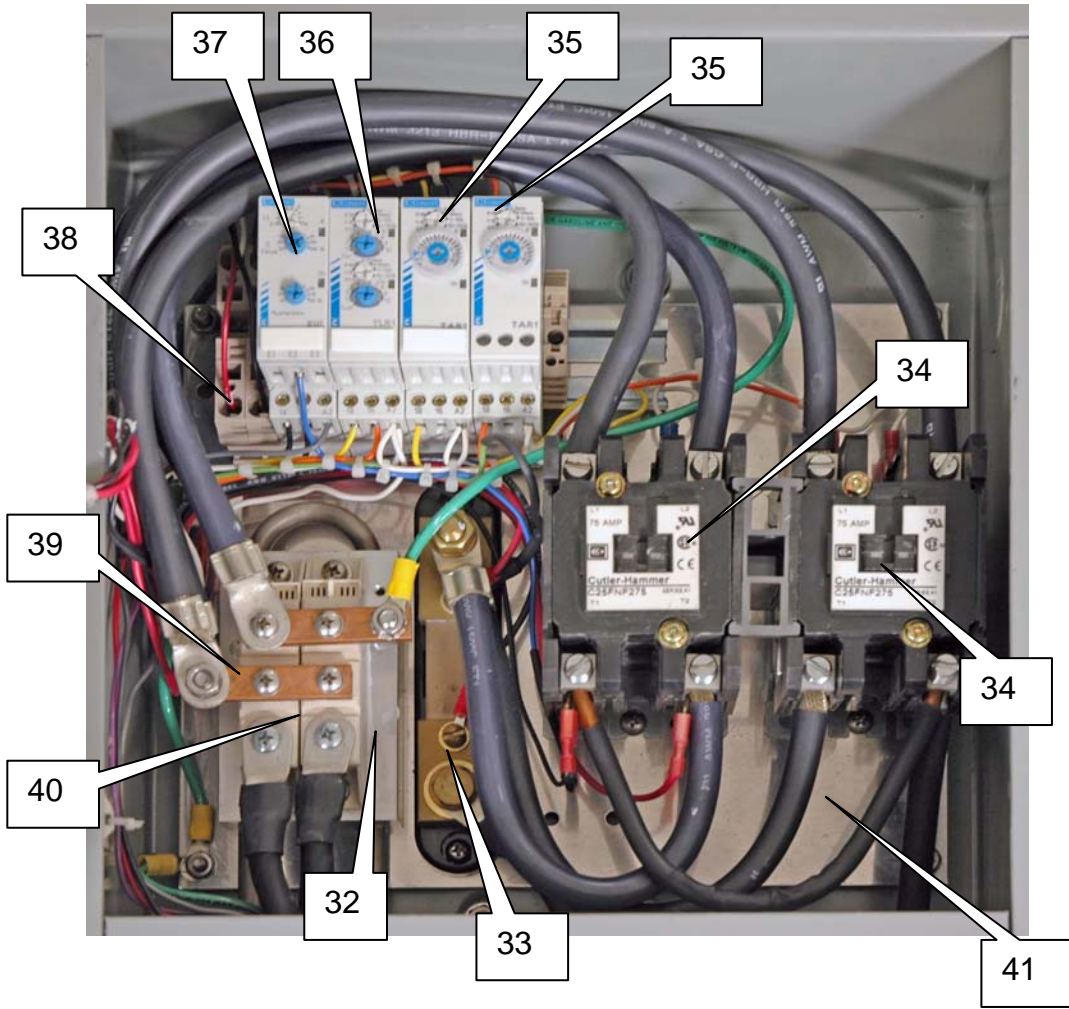


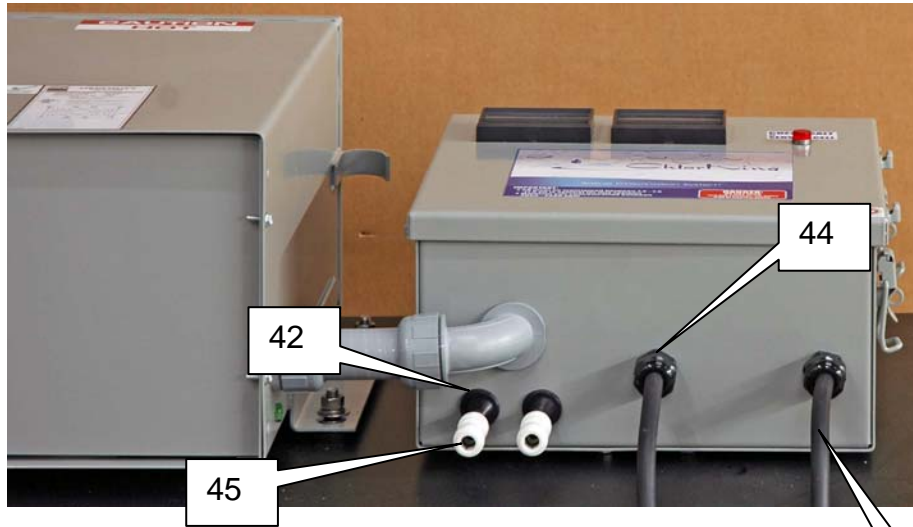


Power Box – Inside



Rectifier Box - Inside





Cell and Install Kit Parts

