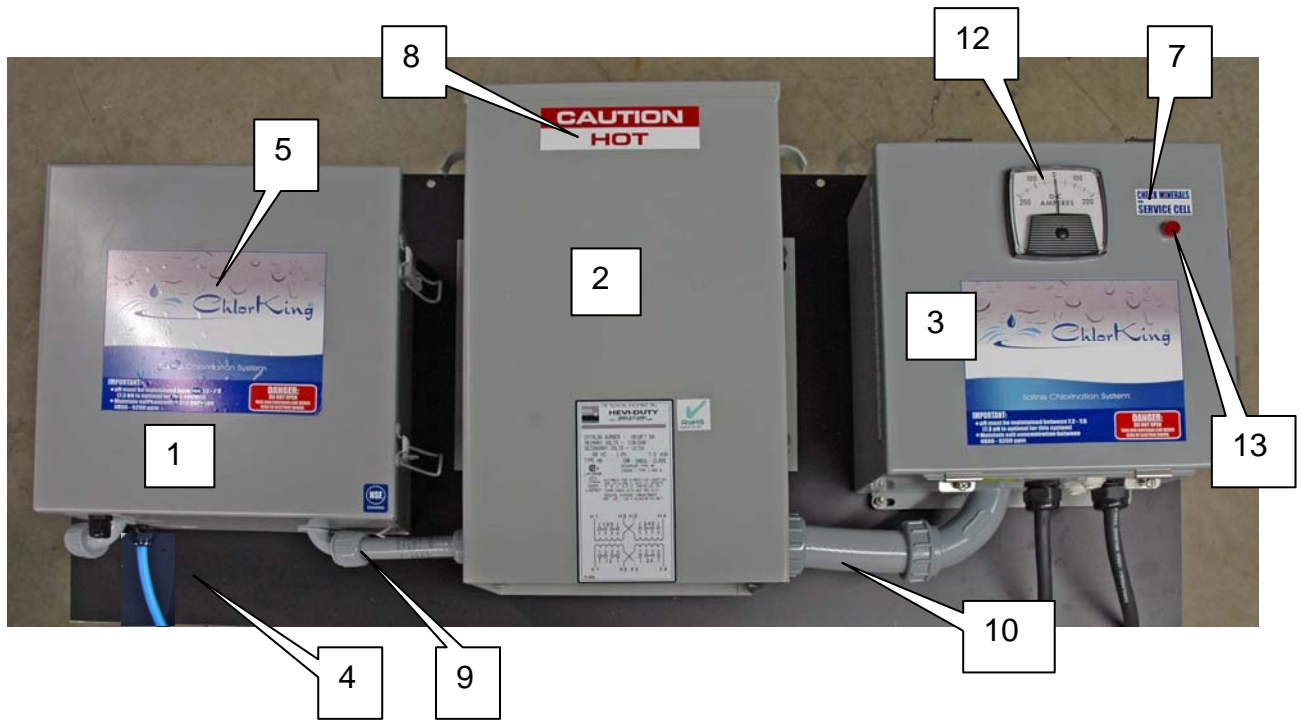


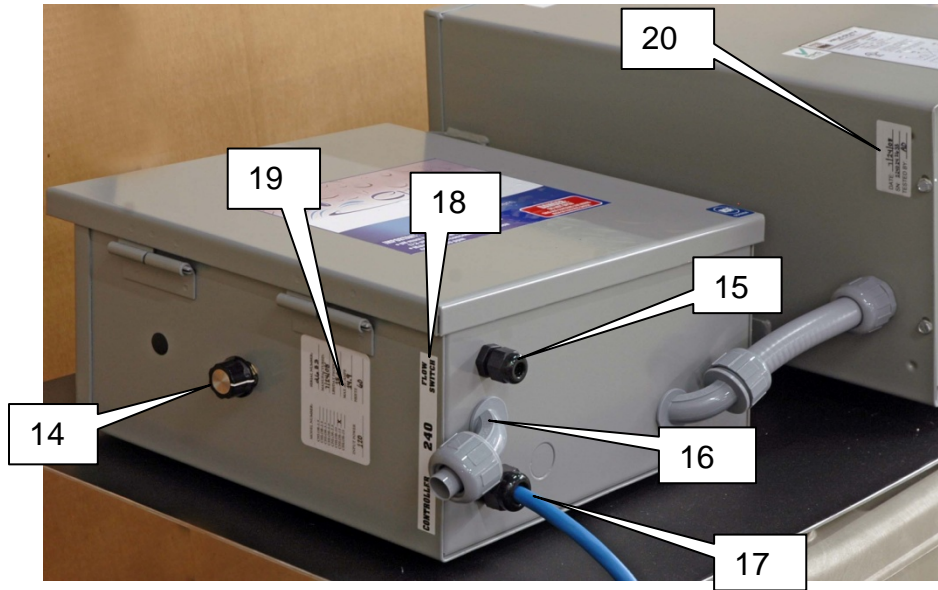


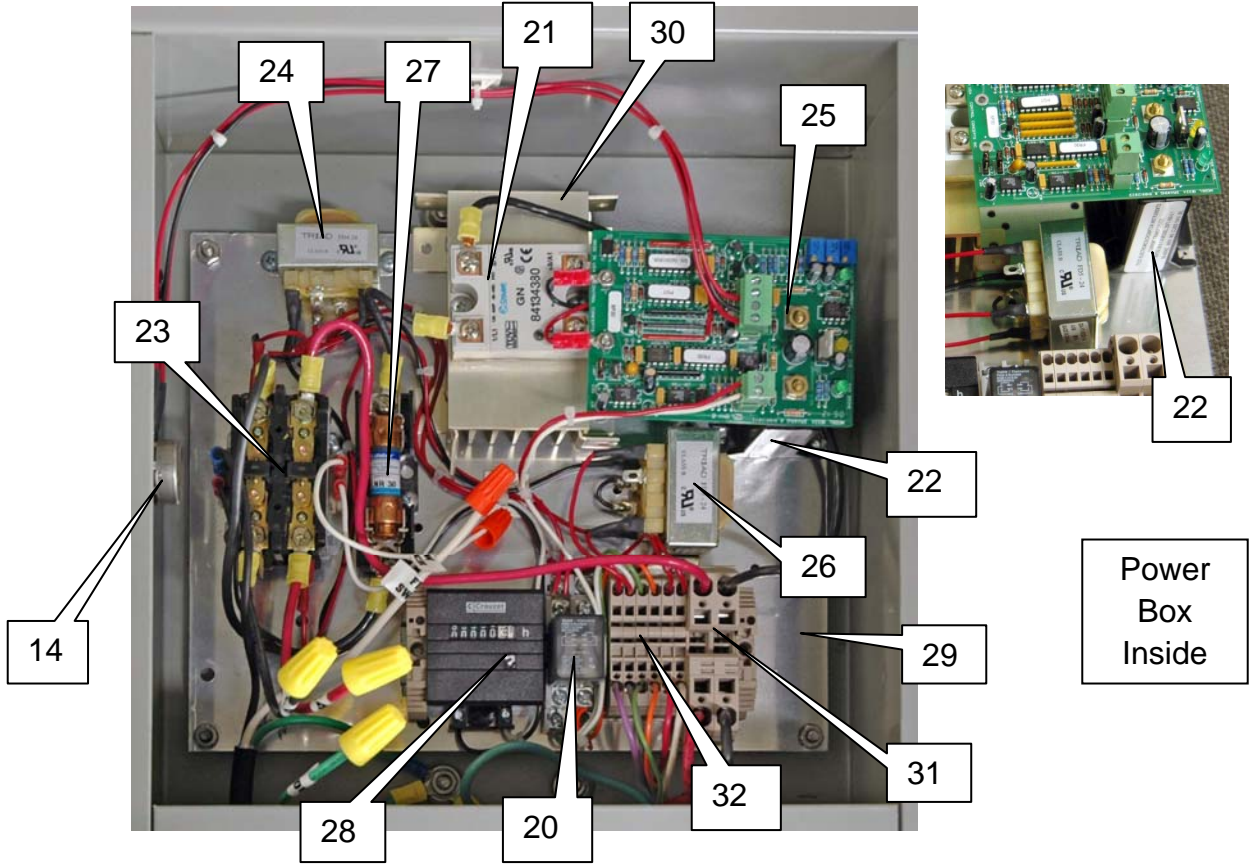
# Parts Guide

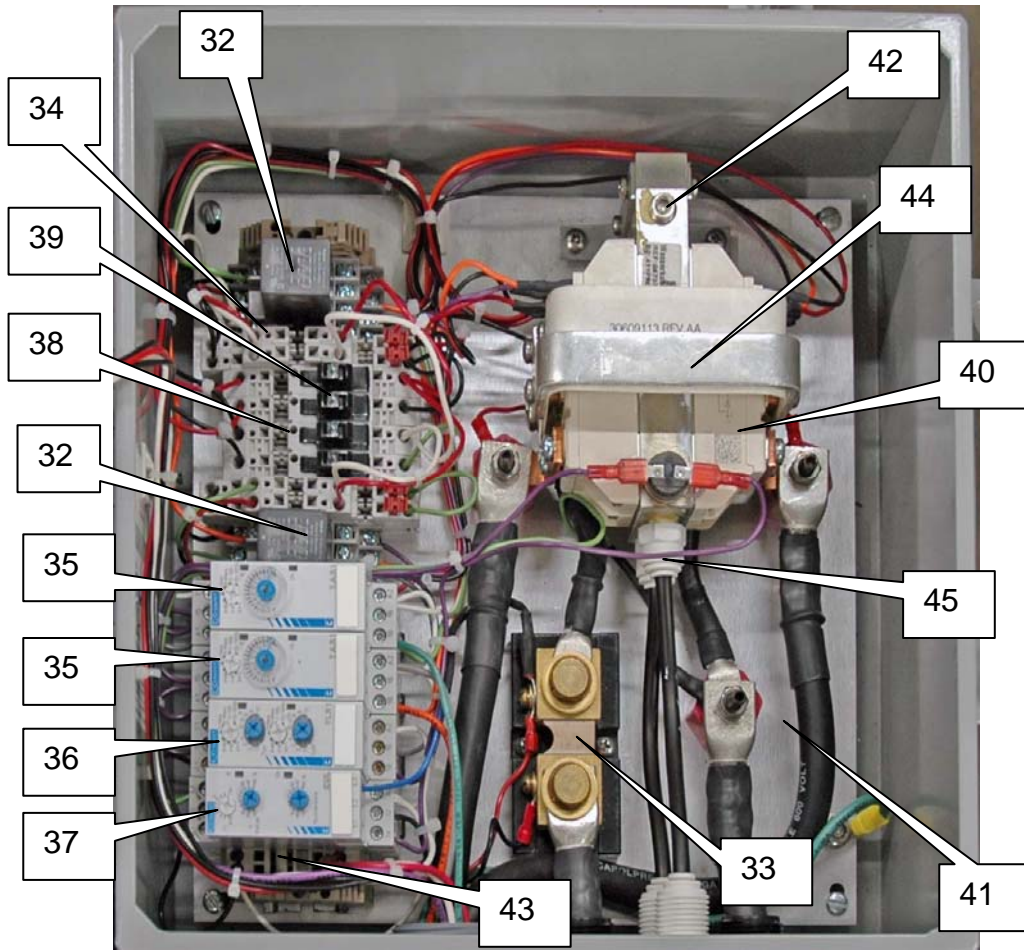
## 20.0 LB ChlorKing



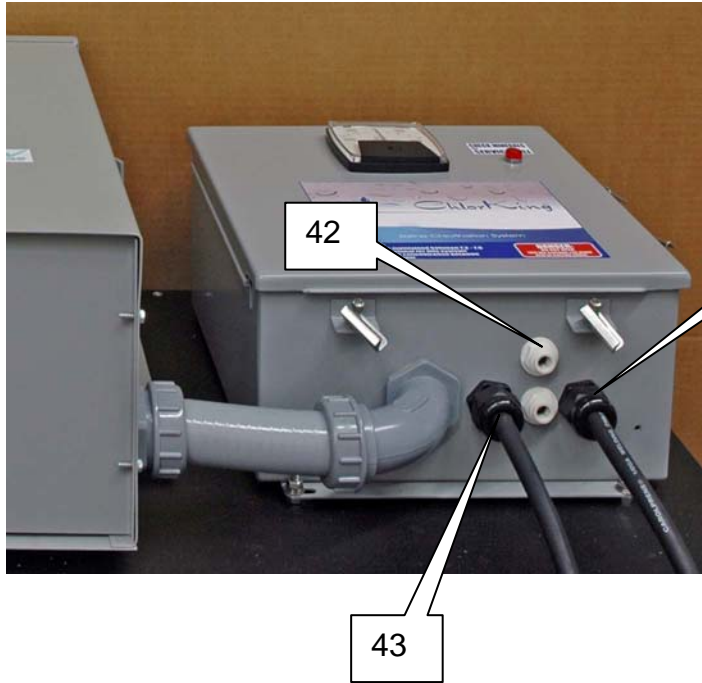




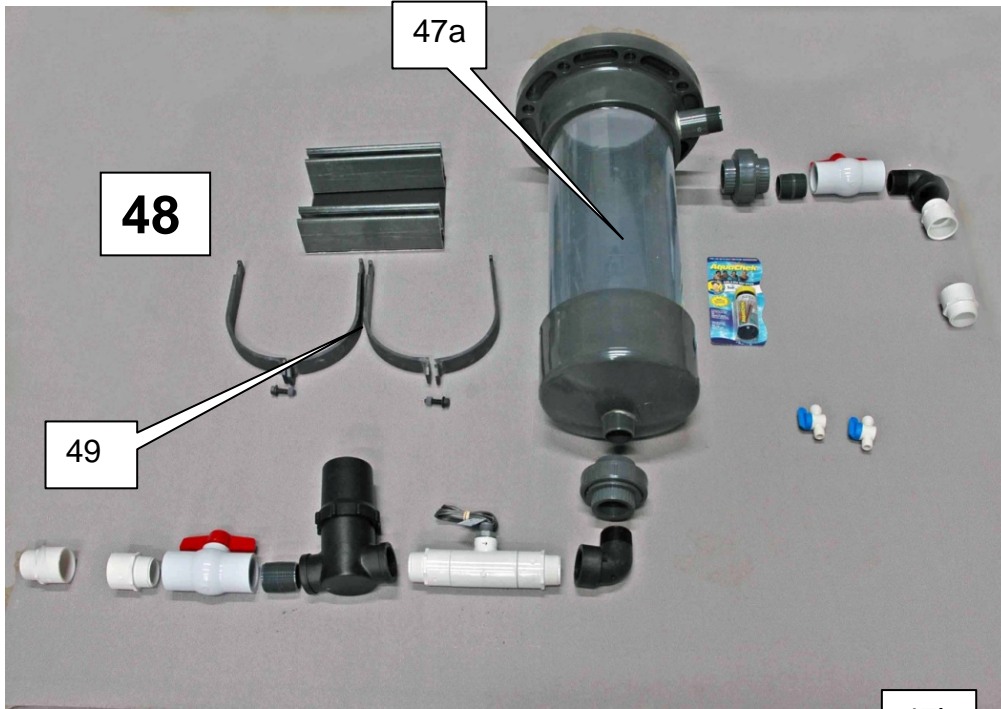




**Rectifier Box - Inside**



# Cell and Install Kit Parts



47b

