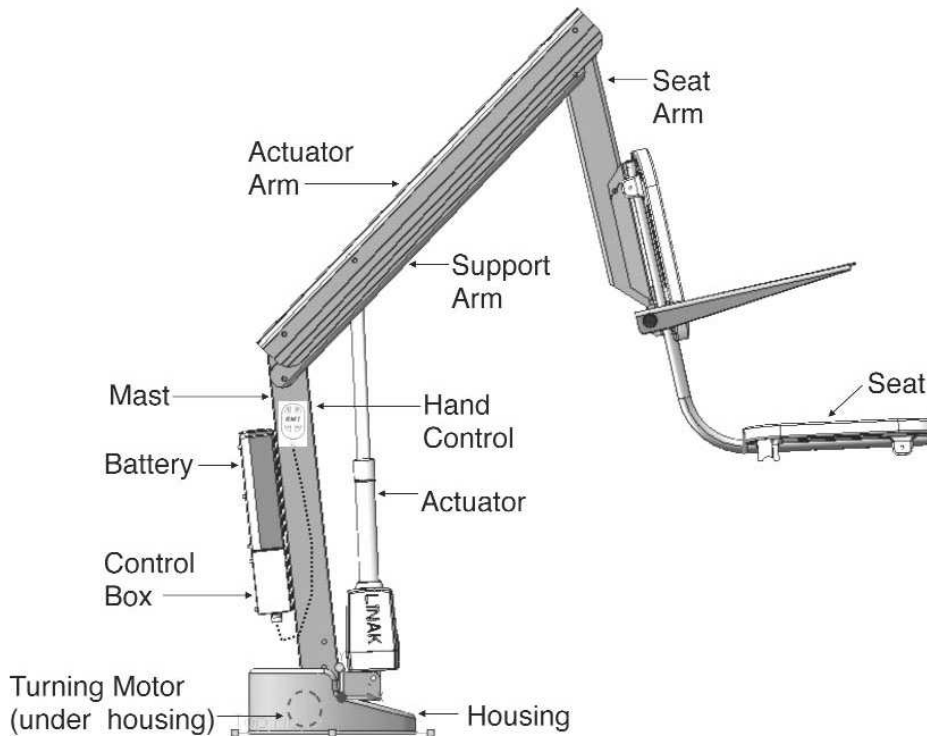


PRODUCT OVERVIEW

The aXs Aquatic Lift is a semi-portable lift system designed so that individuals with disabilities and mobility impairments can have universal access to residential, hospitality and multiunit facility swimming pools or spas. The aXs is powered by a 24 volt rechargeable battery. The lifting motion is provided by a screw driven electronic actuator and an electronic gear motor provides the turning motion. S.R. Smith has designed the safest possible lift system, following all instructions in the owner's manual, and all product labels is necessary to achieve safe, reliable and proper performance of the lift and avoid injury. This design ensures consistent safe operation and minimizes service problems.

The aXs has a mast height of 36"/92 cm above the deck, provides 360° rotation and is intended to be used with simple pool gutter configurations having a deck to water distance of no more than six inches. Although the aXs must be operated from a stationary deck anchor it can be transported using the aXs Caddy. The Caddy is designed to facilitate lifting the aXs out of the deck anchor and also serves as a storage rack when the lift is not needed. The maximum lift capacity for aXs is 300 lb/136 kg. Only persons healthy enough for water activities should use the aXs. Users should consult with their physician to determine if water activities are appropriate for the User.

aXs - PRODUCT COMPONENTS



aXs 1000

7. Materials and Finish Information

Frame	Powder Coated Stainless Steel
Housing	Vacuum Formed ABS Plastic
Arms	Powder Coated Aluminum
Mast	Powder Coated Stainless Steel
Seat Assembly	Seat: Roto-Molded Plastic Frame: Powder Coated Stainless Steel
Covers	Urethane coated nylon

PARTS LIST

Part Number	Description
AX5001	LA34 Actuator
100-1499	4 Button Control
100-1555	4 Button Control w/Activation Key
100-1495	Replacement Battery Pack
100-1530	Battery Charger
100-4000A	Hand Control
AX1430	Hand Control Hanger
120-1100	24v Motor
120-1800	Motor Cord w/ O ring
100-3100	Battery Bracket
AX2000	Mast
AX2100	Actuator Arm Assembly
AX2200	Support Arm Assembly
AX2300	Seat Arm
AX2400A	Seat Assembly
AX2450	Seat Back/Bottom
AX3000	Large Gear
800-5065	Small Gear
800-5066	Toggle Clamp
AX4000	aXs Housing Back
AX4050	aXs Housing Front
AX9004	aXs Battery Console Cover (Green)
AX9003	aXs Seat Belt Assembly (Gray)
AX8360	Long Bushings
AX8340	Short Bushings
AX8000	Sidewalk Bolt
AX8400	Threaded Shaft-Long
AX8500	Threaded Shaft-Short
AX8800	Speed Nut
300-6200L	Locking Deck Anchor
AX3600	Hub/Spindle Assembly
AX2320	Arm Rest
900-2000	Stability Vest
AX9000	aXs Total Cover (Green)
500-1000	Spine Board Attachment