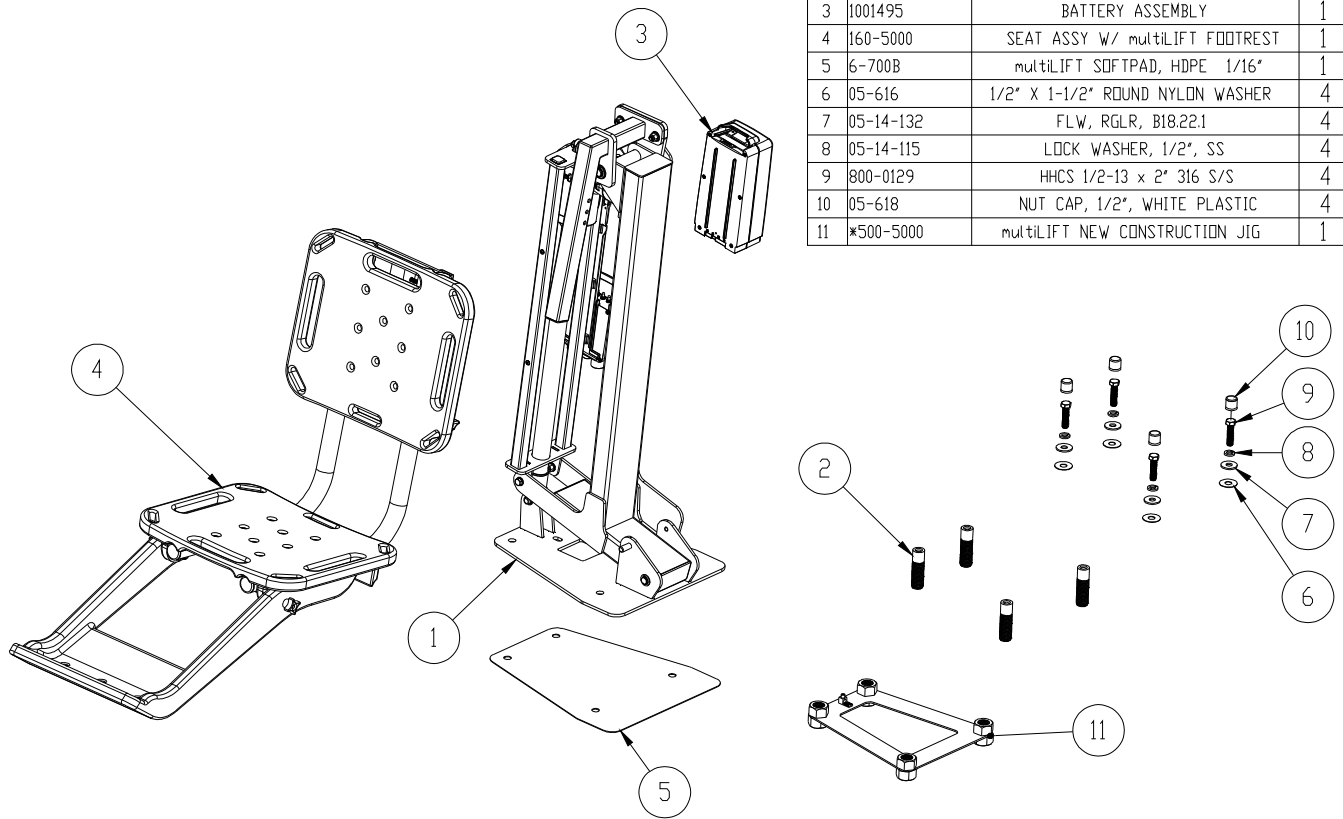


# APPENDIX A: multiLift™ ASSEMBLY

ITEM NO.	PART NUMBER	DESCRIPTION	QTY.
1	575-0000A	LIFT ASSEMBLY	1
2	300-6700A	FLUSH DECK ANCHOR KIT	1
3	1001495	BATTERY ASSEMBLY	1
4	160-5000	SEAT ASSY W/ multiLIFT FOOTREST	1
5	6-700B	multiLIFT SOFTPAD, HDPE 1/16"	1
6	05-616	1/2" X 1-1/2" ROUND NYLON WASHER	4
7	05-14-132	FLW, RGLR, B18.22.1	4
8	05-14-115	LOCK WASHER, 1/2", SS	4
9	800-0129	HHCS 1/2-13 x 2" 316 S/S	4
10	05-618	NUT CAP, 1/2", WHITE PLASTIC	4
11	*500-5000	multiLIFT NEW CONSTRUCTION JIG	1



*\*500-5000 NEW CONSTRUCTION JIG SOLD SEPARATELY*

*\*160-5000 SEAT ASSEMBLY WITH multiLIFT™ FOOTREST, no armrest  
(160-5005 multiLIFT™ CHAIR WITH ARMREST and FOOTREST)*