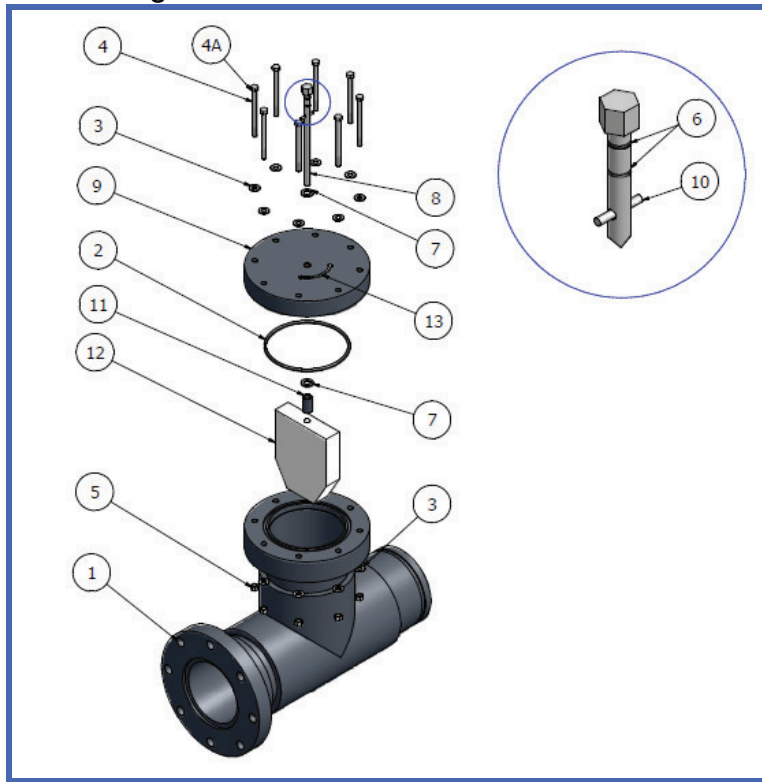




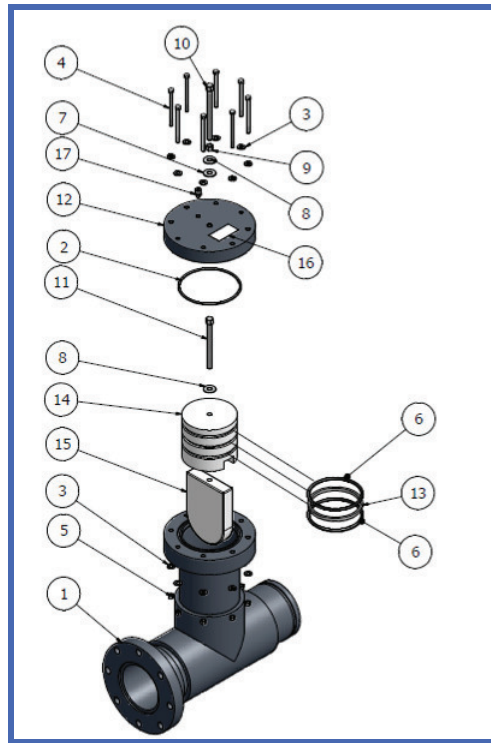
**Figure GGGG: Manual Flow Control Valve**



Item	Description (Material)	Quantity	Part Numbers for NFS-__-RFV-1V1F					
			03	04	06	08	10	12
1	Body Assembly (PVC)	1	575-01201	575-01202	575-01204	575-01206	575-01208	575-01209
2	O-Ring, Lid (BUNA-N)	1	375-10101	375-10102	375-10097	375-10081	375-10088	375-10084
3	Flat Washer, 5/8" (304 SS)	8	364-25430	--	--	--	--	--
3	Flat Washer, 5/8" (304 SS)	16	--	364-25430	--	--	--	--
3	Flat Washer, 3/8" (304 SS)	16	--	--	364-25190	364-25190	--	--
3	Flat Washer, 3/8" (304 SS)	24	--	--	--	--	364-25190	364-25190
4	Threaded Rod, 5/8" x 3 1/2" (304 SS)	4	368-21675	--	--	--	--	--
4	Threaded Rod, 5/8" x 3 3/4" (304 SS)	8	--	368-21675	--	--	--	--
4	Hex Bolt, 3/8" x 4 1/2" (304 SS)	8	--	--	360-22442	360-22442	--	--
4	Hex Bolt, 3/8" x 4 1/2" (304 SS)	12	--	--	--	--	360-22442	360-22442
4A	Acom Nut, 5/8" (304 SS)	4	362-24788	--	--	--	--	--
4A	Acom Nut, 5/8" (304 SS)	8	--	362-24788	--	--	--	--
5	Hex Nut, 5/8" (304 SS)	4	362-22670	--	--	--	--	--
5	Hex Nut, 5/8" (304 SS)	8	--	362-22670	--	--	--	--
5	Lock Nut, 3/8" (304 SS)	8	--	--	362-23630	362-23630	--	--
5	Lock Nut, 3/8" (304 SS)	12	--	--	--	--	362-23630	362-23630
6	O-Ring, Bolt (BUNA-N)	2	375-10077	375-10077	375-10095	375-10095	375-10095	375-10095
7	Flat Washer, 3/8" (304 SS)	2	364-25190	364-21590	--	--	--	--
7	Flat Washer, 1/2" (304 SS)	2	--	--	364-25310	364-25310	364-25310	364-25310
8	Gate Adjustment Rod (304 SS)	1	375-08288	375-08290	375-08292	375-08294	375-08296	375-08298
9	Flange Cover (PVC)	1	314-56405	314-56341	314-56407	314-56409	314-56411	314-56413
10	Spring Pin (304 SS)	1	360-11306	360-11306	360-11305	360-11305	360-11305	360-11305
11	Spacer Nipple, 3/8" dia. (PVC)	1	327-53985	327-53985	--	--	--	--
11	Spacer Nipple, 1/2" dia. (PVC)	1	--	--	327-54010	327-54010	327-54010	327-54010
12	Gate (Polyethylene)	1	375-08380	375-08382	375-08400	375-08386	375-08388	375-08390
13	Control Label (Varies)	1	375-09080	375-09080	375-09080	375-09080	375-09080	375-09080



**Figure HHHH: Automatic Flow Control Valve**

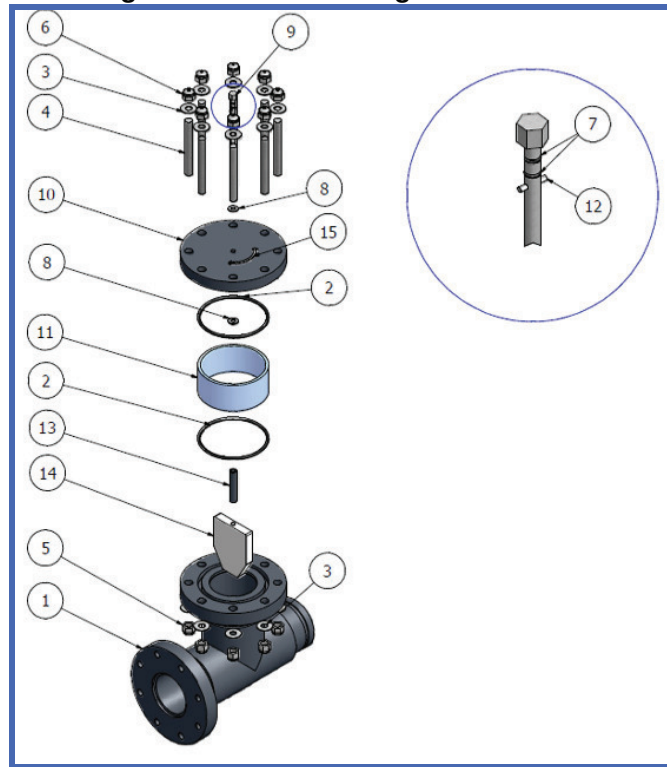


Item	Description (Material)	Quantity	Part Numbers for NFS-__-PFV-1V1F			
			06	08	10	12
1	Body Assembly (PVC)	1	575-01212	575-01214	575-01216	575-01218
2	O-Ring, Lid (BUNA-N)	1	375-10097	375-10081	375-10088	375-10084
3	Flat Washer, 3/8" (304 SS)	16	364-25190	364-25190	--	--
3	Flat Washer, 3/8" (304 SS)	24	--	--	364-25190	364-25190
4	Hex Bolt, 3/8" x 4 1/2" (304 SS)	8	360-22442	360-22442	--	--
4	Hex Bolt, 3/8" x 4 1/2" (304 SS)	12	--	--	360-22442	360-22442
5	Lock Nut, 3/8" (304 SS)	8	362-23630	362-23630	--	--
5	Lock Nut, 3/8" (304 SS)	12	--	--	362-23630	362-23630
6	O-Ring, Piston (BUNA-N)	2	375-10078	375-10080	375-10085	375-10121
7	Sealing Washer (300 SS/Neoprene)	1	364-25320	364-25320	364-25320	364-25320
8	Flat Washer, 1/2" (304 SS)	2	364-25310	364-25310	364-25310	364-25310
9	Hex Nut, 1/2" (304 SS)	1	362-22550	362-22550	362-22550	362-22550
10	Gate Adjustment Rod (304 SS)	1	375-08318	375-08320	375-08322	375-08324
11	Screw, Hex Head Cap (304 SS)	1	375-09000	375-09000	375-09000	360-23290
12	Flange Cover (PVC)	1	314-56390	314-56410	314-56399	375-60016
13	Packing (Nylon)	1' - 6 1/2"	375-10089	--	--	--
13	Packing (Nylon)	2' - 1"	--	375-10089	--	--
13	Packing (Nylon)	2' - 7 5/8"	--	--	375-10089	--
13	Packing (Nylon)	2' - 11"	--	--	--	375-10089
14	Piston, Machined (Polyethylene)	1	375-08498	375-08500	375-08502	375-60017
15	Gate (Polyethylene)	1	375-08418	375-08420	375-08422	375-08424
16	Control Label (Varies)	1	375-09035	375-09035	375-09035	375-09035
17	3/8" Compression Fitting (PVC)	1	337-47944	337-47944	337-47944	337-47944

\*NFS-\_\_-PRV-1V1F includes the above PLUS (1) dual check valve kit, item # 576-08560



**Figure III: Backwash Sight Glass Valve**



Item	Description (Material)	Quantity	Part Numbers for NFS-__SGV-1V1F			
			03	04	06	08
1	Body Assembly (PVC)	1	575-01220	575-01222	575-01224	575-01225
2	O-Ring, Lid (BUNA-N)	2	375-10101	375-10102	375-10090	375-10098
3	Flat Washer, 5/8" (304 SS)	8	364-25430	--	--	--
3	Flat Washer, 5/8" (304 SS)	16	--	364-25430	--	--
3	Flat Washer, 3/4" (304 SS)	16	--	--	364-25550	--
3	Flat Washer, 3/8" (304 SS)	16	--	--	--	364-25190
4	Threaded Rod, 5/8" x 5" (304 SS)	4	368-21675	--	--	--
4	Threaded Rod, 5/8" x 5 7/8" (304 SS)	8	--	368-21675	--	--
4	Threaded Rod, 3/4" x 6 1/4" (304 SS)	8	--	--	368-21680	--
4	Hex Head Bolt, 3/8" x 7" (304 SS)	8	--	--	--	360-21549
5	Hex Nut, 5/8" (304 SS)	4	362-22670	--	--	--
5	Hex Nut, 5/8" (304 SS)	8	--	362-22670	--	--
5	Hex Nut, 3/4" (304 SS)	8	--	--	362-22790	--
5	Nylon Lock Nut, 3/8" (304 SS)	8	--	--	--	362-23630
6	Acorn Nut, 5/8" (304 SS)	4	362-24788	--	--	--
6	Acorn Nut, 5/8" (304 SS)	8	--	362-24788	--	--
6	Acorn Nut, 3/4" (304 SS)	8	--	--	362-24790	--
7	O-Ring, Bolt (BUNA-N)	2	375-10077	375-10077	375-10095	375-10095
8	Flat Washer, 3/8" (304 SS)	2	364-25190	364-25190	--	--
8	Flat Washer, 1/2" (304 SS)	2	--	--	364-25310	364-25310
9	Gate Adjustment Rod (304 SS)	1	375-08302	375-08304	375-08300	375-08301
10	Flange Cover (PVC)	1	314-56400	314-56412	314-56390	314-56393
11	Clear Sight Glass (Acrylic)	1	323-52998	323-52999	323-53011	323-53015
12	Spring Pin (304 SS)	1	360-11306	360-11306	360-11305	360-11305
13	Spacer Nipple, 3/8" dia. (PVC)	1	327-53985	327-53985	--	--
13	Spacer Nipple, 1/2" dia. (PVC)	1	--	--	327-54010	327-54010
14	Gate (Polyethylene)	1	375-08380	375-08382	375-08400	375-08386