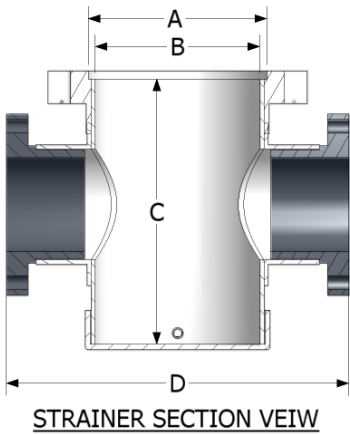
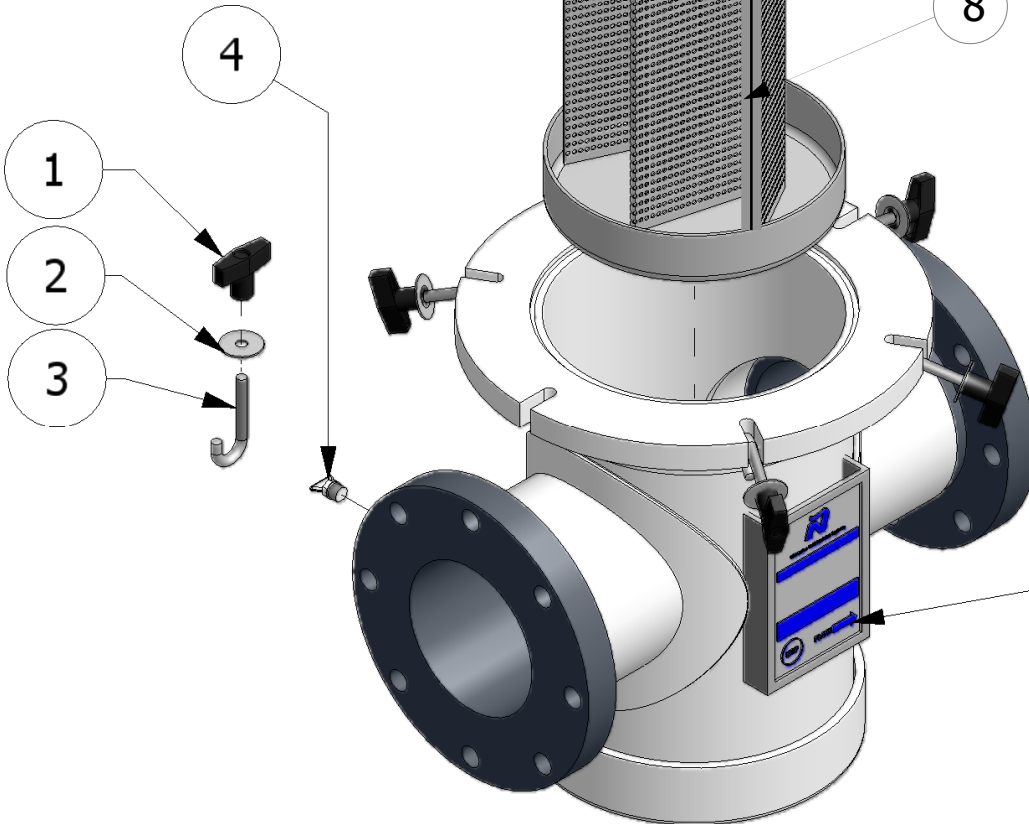


## FRP Saddle Branch Hair & Lint Strainer Replacement Parts



A	B	C	D

Note: When replacing star pattern compression knobs with new "t" handle knobs the j-bolts must be replaced with part # 360-21199.



Model #	
Serial #	

Model #      Serial #

Model	NSS-16-030-1210		Serial	NSS-K01-13626	
Strainer	468	in <sup>2</sup>	3020	cm <sup>2</sup>	
Open Area	1700	GPM	6435	l/m	
Flow Rate	30	PSIG	207	kPa	
Maximum Pressure	23.5	W x	597	W x	
Installation Area	32	L x	813	L x	
Required	36.2	H in	920	H in	

NSF Label Here

**Flow** →

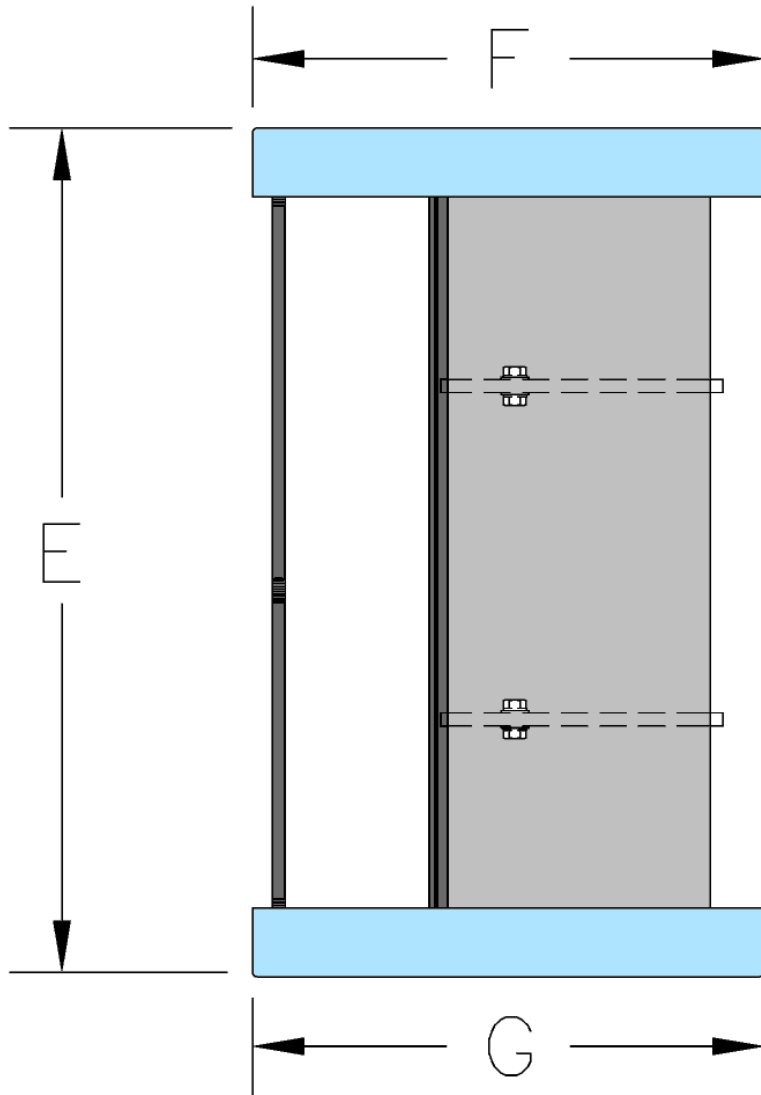
**NEMATO CORP.**

1605 McEwen Dr., Whitby, Ont., Can. L1N 7L4  
Tel: (800) 361-5025 or (905) 571-5305 Fax: (905) 571-3935  
www.nemato.com mail@nemato.com

## STRAINER PARTS

ITEM NUMBER	STRAINER SIZE (FLANGE SIZE RANGE)	BODY DIAMETER (DIMENSION B)	BODY HEIGHT (DIMENSION C)	QTY. REQUIRE D	PART NUMBER	DESCRIPTION
1	2"-4"	6"		4	375-09010	COMPRESSION KNOB (T-STYLE)
	6"	10"		6	375-09010	COMPRESSION KNOB (T-STYLE)
	8"	10"		6	375-09010	COMPRESSION KNOB (T-STYLE)
	10"	16"		12	375-09010	COMPRESSION KNOB (T-STYLE)
	12	16"		12	375-09010	COMPRESSION KNOB (T-STYLE)
	14"	16"		12	375-09010	COMPRESSION KNOB (T-STYLE)
2	2"-4"	6"		4	375-09023	FLAT WASHER (304 SS, OVERSIZED)
	6"	10"		6	375-09023	FLAT WASHER (304 SS, OVERSIZED)
	8"	10"		6	375-09023	FLAT WASHER (304 SS, OVERSIZED)
	10"	16"		12	375-09023	FLAT WASHER (304 SS, OVERSIZED)
	12	16"		12	375-09023	FLAT WASHER (304 SS, OVERSIZED)
	14"	16"		12	375-09023	FLAT WASHER (304 SS, OVERSIZED)
3	2"-4"	6"		4	360-21199	J-BOLT (304 SS)
	6"	10"		6	360-21199	J-BOLT (304 SS)
	8"	10"		6	360-21199	J-BOLT (304 SS)
	10"	16"		12	360-21199	J-BOLT (304 SS)
	12	16"		12	360-21199	J-BOLT (304 SS)
	14"	16"		12	360-21199	J-BOLT (304 SS)
4	N/A	N/A	N/A	2	375-08200	VENT/DRAIN PLUG (PVC W/ O-RING)
5	2"-4"	6"		1	575-53004	STRAINER LID (VIEW WINDOW, FOR 6" DIA. BODY)
	6"	10"		1	575-53005	STRAINER LID (VIEW WINDOW, FOR 10" DIA. BODY)
	8"	10"		1	575-53005	STRAINER LID (VIEW WINDOW, FOR 10" DIA. BODY)
	10"	16"		1	575-53006	STRAINER LID (VIEW WINDOW, FOR 16" DIA. BODY)
	12	16"		1	575-53006	STRAINER LID (VIEW WINDOW, FOR 16" DIA. BODY)
	14"	16"		1	575-53006	STRAINER LID (VIEW WINDOW, FOR 16" DIA. BODY)
6	2"-4"	6"		1	575-53023	GASKET (EPDM, FOR 6" DIA. BODY)
	6"	10"		1	575-53024	GASKET (EPDM, FOR 10" DIA. BODY)
	8"	10"		1	575-53024	GASKET (EPDM, FOR 10" DIA. BODY)
	10"	16"		1	575-53025	GASKET (EPDM, FOR 16" DIA. BODY)
	12	16"		1	575-53025	GASKET (EPDM, FOR 16" DIA. BODY)
	14"	16"		1	575-53025	GASKET (EPDM, FOR 16" DIA. BODY)
7	2"-4"	6"		1	NSS-04-BSKT-FRP-S	BASKET (FRP, 304 SS.)
	6"	10"		1	NSS-06-BSKT-FRP-S	BASKET (FRP, 304 SS.)
	8"	10"		1	NSS-08-BSKT-FRP-S	BASKET (FRP, 304 SS.)
	10"	16"		1	NSS-10-BSKT-FRP-S	BASKET (FRP, 304 SS.)
	12	16"		1	NSS-12-BSKT-FRP-S	BASKET (FRP, 304 SS.)
	14"	16"		1	NSS-14-BSKT-FRP-S	BASKET (FRP, 304 SS.)
8	2"-4"	6"		2 ft.	370-59021	BASKET EDGE PROTECTION (EPDM)
	6"	10"		3 ft.	370-59021	BASKET EDGE PROTECTION (EPDM)
	8"	10"		4 ft.	370-59021	BASKET EDGE PROTECTION (EPDM)
	10"	16"		4 ft.	370-59021	BASKET EDGE PROTECTION (EPDM)
	12	16"		5 ft.	370-59021	BASKET EDGE PROTECTION (EPDM)
	14"	16"		7 ft.	370-59021	BASKET EDGE PROTECTION (EPDM)

Dimension Table		
E	F	G



## BASKET DIMENSIONS