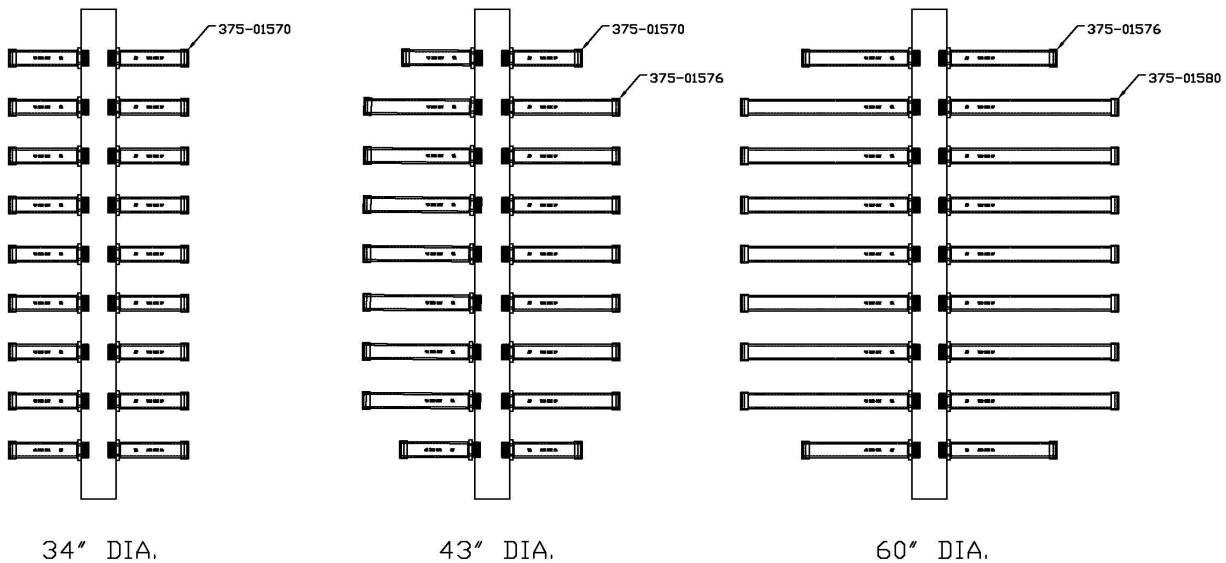
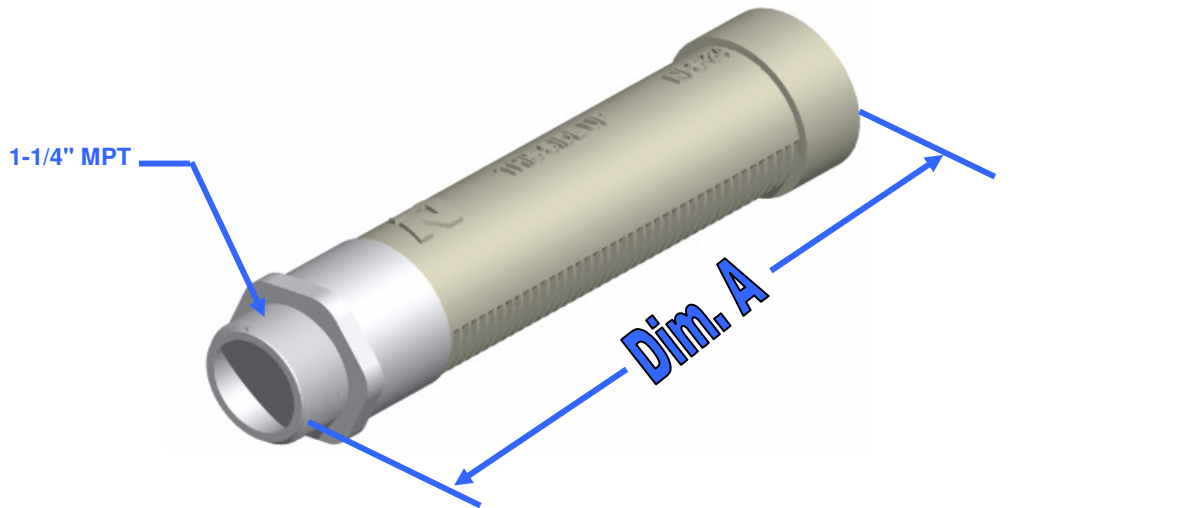


## US FILTER REPLACEMENT LATERALS

FILTER MODEL	Qty. of Tanks	Replacement End-Lateral (4 Per. Tank)	Dim. A (Length)	Qty	Replacement-Standard Laterals	Dim. A (Length)	Qty
34-10	1		8-7/8"	4		8-7/8"	12
34-15	1		8-7/8"	4		8-7/8"	20
34-20	1		8-7/8"	4		8-7/8"	28
43-15	1		8-7/8"	4		13-3/16"	14
43-20	1		8-7/8"	4		13-3/16"	20
43-25	1		8-7/8"	4		13-3/16"	26
43-30	1		8-7/8"	4		13-3/16"	32
60-30	1		13-3/16"	4		15-1/16"	20
60-35	1		13-3/16"	4		15-1/16"	24
60-40	1		13-3/16"	4		15-1/16"	30
60-45	1		13-3/16"	4		15-1/16"	34
60-50	1		13-3/16"	4		15-1/16"	38



34" DIA.

43" DIA.

60" DIA.