

# TEC-R Peristaltic pump



## Single adjustment pump

Peristaltic pump for water treatment  
Speed adjustable from 10-100%



### TECHNICAL FEATURES

- Power supply: 100÷240VAC or 24VAC
- Trigger for speed flow rate adjusting
- ON/OFF/PRIMING Switch
- Level input (Optional)
- Alarm-signalling buzzer (Optional)
- Santoprene Tubing
- 10-100% adjustable speed

Code	Model	Flow rate (l/h)	Pressure	Voltage	Tube	Price £
AD0A001030001000	TECR	1	3	100-230Vac	Santoprene	
AD0A004010000000	TECR	4	1	100-230Vac	Santoprene	
AD0A006010000000	TECR	6	1	100-230Vac	Santoprene	



### STANDARD KIT

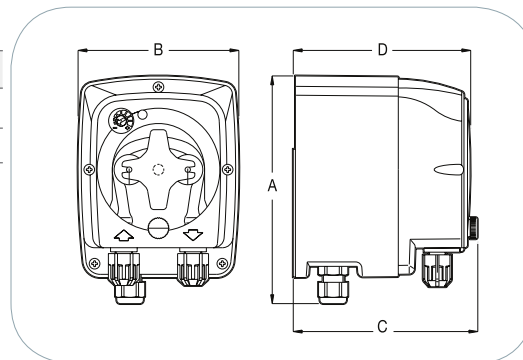
Code	Description	Price £
ADSP6000068N	PP injection fitting 4 & 6 (l/hr)	
ADSP6000004	PP injection fitting 1 (l/hr)	
ADSP8000025	Wall mounting bracket & fixings	
ADSP6000917	Foot filter 4 & 6 (l/hr)	
ADSP6000001	Foot filter 1 (l/hr)	
ADSP6000546	PVC clear hose (2m) x2 4 & 6 (l/hr) x1 1(l/hr)	
ADSP6000078	PE hose (2m) x1 1(l/hr) model only	

### SPARE PARTS

Code	Description	Price £
ADSP8000109	Santoprene tube 4 & 6 (l/hr)	
ADSP8000120	Santoprene tube 1 (l/hr)	

### OPTIONAL

Code	Description	Price £
PVCHOSE4/6	30 m coil PVC clear hose 4x6mm	
PEHOSE4/6	30 m coil PE hose 4x6mm	



QR code

Get more detailed information

### DIMENSIONS:

a x b x c x d (mm): 128.8 x 90.6 x 104 x 100

### WEIGHT:

1.1 Kg

<http://aqua.quickris.com/adsp7000199i-new-tec/>