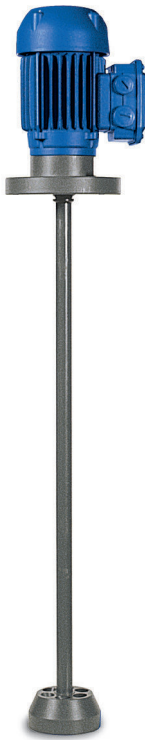


## AG-F



### DESCRIZIONE/DESCRIPTION

Agitatori veloci.

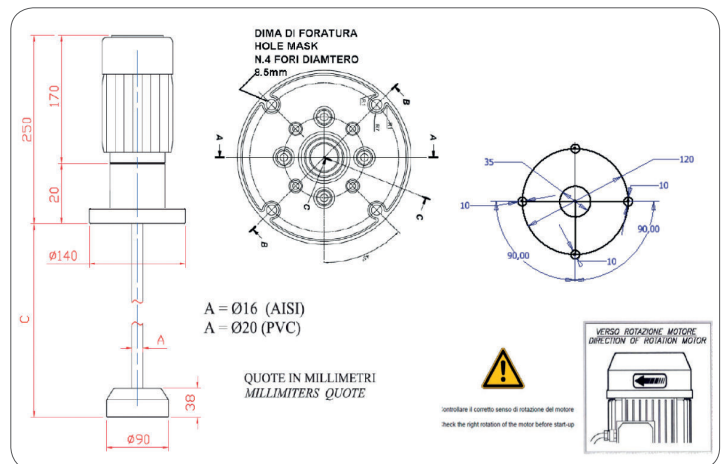
- Veloci mono fase AG1-PVC/AG1-AISI 1400 rpm - Motore 230V 50Hz 0.12HP;
- Veloci trifase AG3-PVC/AG3-AISI 1400 rpm - Motore 230/380 V 50Hz 0.12HP.

Fast water mixers.

- Fast speed three-phase AG3-PVC/AG3-AISI 1400 rpm - Motor 230/380 V - 50 Htz - 0.12HP;
- Fast speed three-phase AG3-PVC/AG3-AISI 1400 rpm - Motor 230/380 V - 50 Htz - 0.12HP.



### DIMENSIONI/DIMENSIONS



### Veloci MONOFASE/Speed SINGLE-PHASE

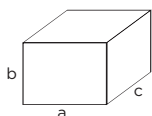
Codice Code	Modello Model	Dimensioni Size	Serbatoio Tank	Materiale Material	Motore Motor	Velocità Speed
			lt			rpm
ADAG1P06F	AG1-PVC60/F	A-TANK 1	100	PVC	MONOFASE SINGLE-PHASE	1400
ADAG1P07F	AG1-PVC70/F	A-TANK 2-3	200-300	PVC	MONOFASE SINGLE-PHASE	1400
ADAG1P08F	AG1-PVC80/F	A-TANK 5	500	PVC	MONOFASE SINGLE-PHASE	1400
ADAG1P09F	AG1-PVC90/F	A-TANK 10	1000	PVC	MONOFASE SINGLE-PHASE	1400
ADAG1A06F	AG1-AISI60/F	A-TANK 1	100	AISI	MONOFASE SINGLE-PHASE	1400
ADAG1A07F	AG1-AISI70/F	A-TANK 2-3	200-300	AISI	MONOFASE SINGLE-PHASE	1400
ADAG1A08F	AG1-AISI80/F	A-TANK 5	500	AISI	MONOFASE SINGLE-PHASE	1400
ADAG1A09F	AG1-AISI90/F	A-TANK 10	1000	AISI	MONOFASE SINGLE-PHASE	1400

### Veloci TRIFASE/Speed THREE-PHASE

Codice Code	Modello Model	Dimensioni Size	Serbatoio Tank	Materiale Material	Motore Motor	Velocità Speed
			lt			rpm
ADAG3P06F	AG3-PVC60/F	A-TANK 1	100	PVC	TRIFASE THREE-PHASE	1400
ADAG3P07F	AG3-PVC70/F	A-TANK 2-3	200-300	PVC	TRIFASE THREE-PHASE	1400
ADAG3P08F	AG3-PVC80/F	A-TANK 5	500	PVC	TRIFASE THREE-PHASE	1400
ADAG3P09F	AG3-PVC90/F	A-TANK 10	1000	PVC	TRIFASE THREE-PHASE	1400
ADAG3A06F	AG3-AISI60/F	A-TANK 1	100	AISI	TRIFASE THREE-PHASE	1400
ADAG3A07F	AG3-AISI70/F	A-TANK 2-3	200-300	AISI	TRIFASE THREE-PHASE	1400
ADAG3A08F	AG3-AISI80/F	A-TANK 5	500	AISI	TRIFASE THREE-PHASE	1400
ADAG3A09F	AG3-AISI90/F	A-TANK 10	1000	AISI	TRIFASE THREE-PHASE	1400



### IMBALLO/PACK



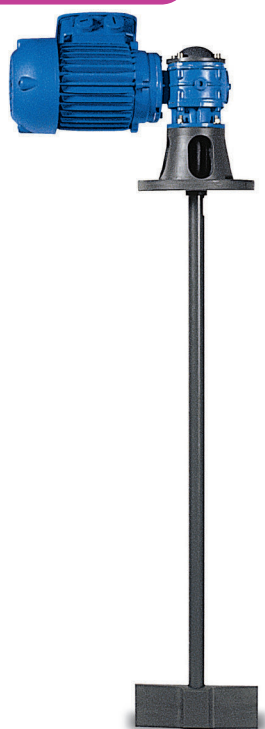
Confezione singola/Single pack:  
- L60: axbxc: 220x885x220 mm - Kg: 6,00;  
- L70/80/90: axbxc: 210x1230x210 mm - Kg: 7,00;



### QR code

Vai direttamente  
all'approfondimento  
Get more detailed  
information

## AG-S



### DESCRIZIONE/DESCRIPTION

Agitatori lenti.

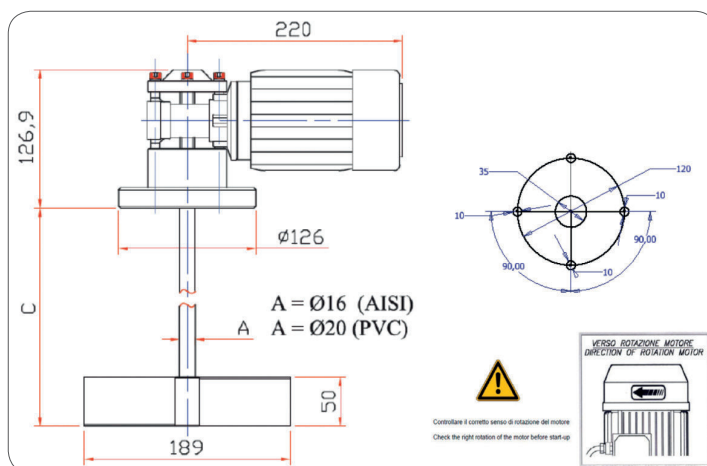
- Lenti mono fase AG1-PVC /AG1-AISI 70 rpm - Motore 230V 50Hz 0.12HP;
- Lenti trifase AG3-PVC /AG3-AISI 70 rpm - Motore 230/380 V 50Hz 0.12HP.

Slow water mixers.

- Slow single-phase AG1-PVC /AG1-AISI 70 rpm - Motor 230V 50Hz 0.12HP;
- Slow speed three-phase - AG3-PVC/AG3-AISI - 70 rpm - Motor 230/380v - 50 Hz - 0.12HP.



### DIMENSIONI/DIMENSIONS



### Lenti MONOFASE/Slow SINGLE-PHASE

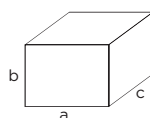
Codice Code	Modello Model	Dimensioni Size	Serbatoio	Materiale Material	Motore Motor	Velocità
			Tank lt			Speed rpm
ADAG1P06S	AG1-PVC60/S	A-TANK 1	100	PVC	MONOFASE SINGLE-PHASE	70
ADAG1P07S	AG1-PVC70/S	A-TANK 2-3	200-300	PVC	MONOFASE SINGLE-PHASE	70
ADAG1P08S	AG1-PVC80/S	A-TANK 5	500	PVC	MONOFASE SINGLE-PHASE	70
ADAG1P09S	AG1-PVC90/S	A-TANK 10	1000	PVC	MONOFASE SINGLE-PHASE	70
ADAG1A06S	AG1-AISI60/S	A-TANK 1	100	AISI	MONOFASE SINGLE-PHASE	70
ADAG1A07S	AG1-AISI70/S	A-TANK 2-3	200-300	AISI	MONOFASE SINGLE-PHASE	70
ADAG1A08S	AG1-AISI80/S	A-TANK 5	500	AISI	MONOFASE SINGLE-PHASE	70
ADAG1A09S	AG1-AISI90/S	A-TANK 10	1000	AISI	MONOFASE SINGLE-PHASE	70

### Lenti TRIFASE/Slow THREE-PHASE

Codice Code	Modello Model	Dimensioni Size	Serbatoio	Materiale Material	Motore Motor	Velocità
			Tank lt			Speed rpm
ADAG3P06S	AG3-PVC60/S	A-TANK 1	100	PVC	TRIFASE THREE-PHASE	70
ADAG3P07S	AG3-PVC70/S	A-TANK 2-3	200-300	PVC	TRIFASE THREE-PHASE	70
ADAG3P08S	AG3-PVC80/S	A-TANK 5	500	PVC	TRIFASE THREE-PHASE	70
ADAG3P09S	AG3-PVC90/S	A-TANK 10	1000	PVC	TRIFASE THREE-PHASE	70
ADAG3A06S	AG3-AISI60/S	A-TANK 1	100	AISI	TRIFASE THREE-PHASE	70
ADAG3A07S	AG3-AISI70/S	A-TANK 2-3	200-300	AISI	TRIFASE THREE-PHASE	70
ADAG3A08S	AG3-AISI80/S	A-TANK 5	500	AISI	TRIFASE THREE-PHASE	70
ADAG3A09S	AG3-AISI90/S	A-TANK 10	1000	AISI	TRIFASE THREE-PHASE	70



### IMBALLO/PACK



Confezione singola/Single pack:

- L60: axbxc: 220x885x220 mm - Kg: 6,00;
- L70/80/90: axbxc: 210x1230x210 mm - Kg: 7,00;



QR code

Vai direttamente  
all'approfondimento  
Get more detailed  
information