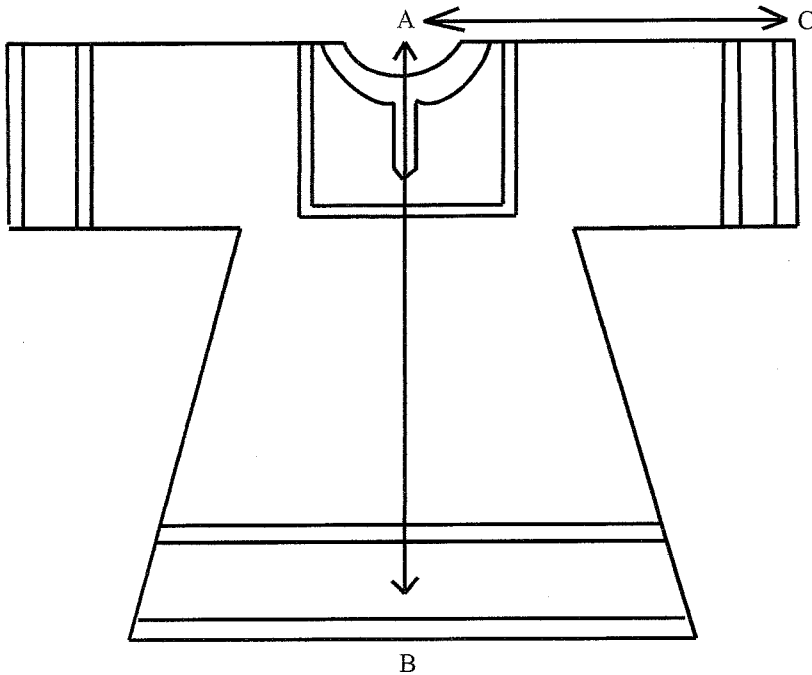


Tabitha of Joppa Vestments

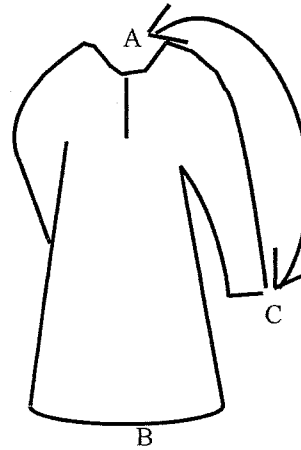
2043 W. Broad St.
Bethlehem, Pa 18018-3211
Emily Sarisky
610-861-2731

tabitha@orthodoxvestments.com
www.orthodoxvestments.com

ALTAR BOY DALMATIC MEASUREMENTS



MEASURE ARM LENGTH
WITH ARM DOWN AT SIDE,
NOT STRAIGHT OUT.



A-B _____"
A-C _____"
CHEST SIZE _____"
NECK SIZE _____"
S-S _____"
AMOUNT _____
NAME _____

A-B _____"
A-C _____"
CHEST SIZE _____"
NECK SIZE _____"
S-S _____"
AMOUNT _____
NAME _____

A-B _____"
A-C _____"
CHEST SIZE _____"
NECK SIZE _____"
S-S _____"
AMOUNT _____
NAME _____

A-B _____"
A-C _____"
CHEST SIZE _____"
NECK SIZE _____"
S-S _____"
AMOUNT _____
NAME _____

A-B _____"
A-C _____"
CHEST SIZE _____"
NECK SIZE _____"
S-S _____"
AMOUNT _____
NAME _____

- OPEN SIDES WITH TABS
- OPEN SIDES WITH BUTTONS & LOOPS
- CLOSED SIDES WITH BUTTONS
- ONE ROW GALLOON ON SLEEVE AND HEM
- TWO ROWS GALLOON ON SLEEVE AND HEM
- SQUARE GALLOON YOKE AROUND NECK

A-B NECK BONE TO BOTTOM HEM
A-C NECK BONE TO SLEEVE HEM
S-S SHOULDER TO SHOULDER
ACROSS BACK

NAME _____

ADDRESS _____

PHONE _____ E-MAIL _____

CHURCH _____

DIOCESE _____

DATE _____ DATE NEEDED _____