

Transom Buddy Products



Transom Buddy Tilt & Trim



Features & Benefits

Operation in Shallow Water
Rapid and Effortless Tilt Operation
Faster Planing at Lower Speeds
No Motor Set Back

Rating: Up to and including 25 HP

Weight: 17½ pounds

Angle Adjustment: Up To 74 degrees

Operation: Using the supplied hex driver,
power using a cordless drill or manual using a
¾" socket wrench

Adjusts the tilt and trim of your outboard motor.

Transom Buddy Tilt & Trim with Power Unit



Features & Benefits

The above Tilt & Trim Unit with 12 VDC Power
Kit added. Simple battery clip hookup with
inline fuse. Also includes the Power Unit
Remote Switch Kit, allowing operation from
two locations.

Rating: Up to and including 25 HP

Adjusts the tilt and trim of your outboard motor.

Transom Buddy Tilt, Trim & Jack



Features & Benefits

Improved Speed
Improved Fuel Efficiency
Operation in Shallow Water
Faster Planing at Lower Speeds

Rating: Up to and including 25 HP

Weight: 26¼ pounds

Angle Adjustment: 72½ degrees

Height Adjustment: 7¾"

Setback: 10½"

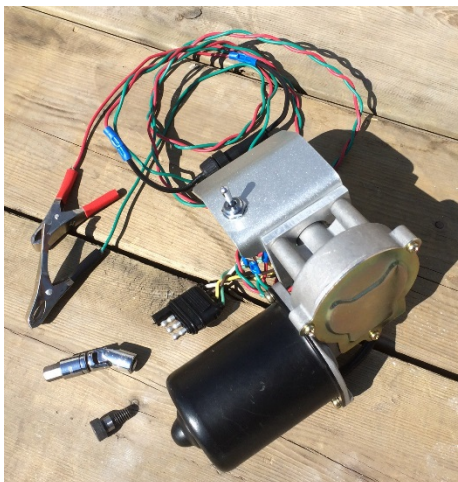
Operation: Power with a cordless drill or
manual with a ¾" socket wrench

Adjusts the tilt, trim and height of your outboard motor.

Transom Buddy Products



Transom Buddy Tilt & Trim Power Unit Kit



Features & Benefits

Toggle switch control of the Tilt & Trim Unit. Simple battery clip power hookup with inline fuse. Mounts with one shoulder bolt.

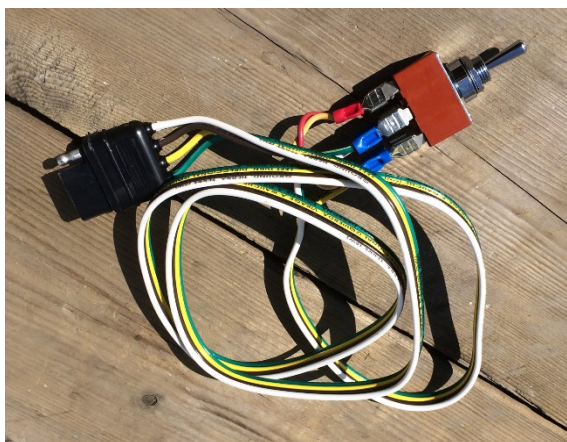
Rating: Up to and including 25 HP

Angle Adjustment: Up To 74 degrees

Operation: 12 VDC power unit

Adjusts the tilt and trim of your outboard motor.

Power Unit Remote Switch Kit



Features & Benefits

Simple plug-in installation for power and control hookup. Only requires a 1/2" hole for mounting the toggle switch. Allows operation remotely and at the unit.

Adjusts the tilt and trim of your outboard motor.

Transom Buddy Whale Tail



Whale Tail Features

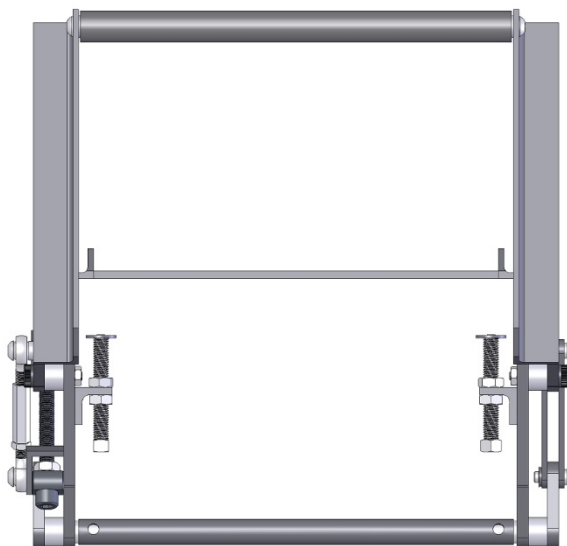
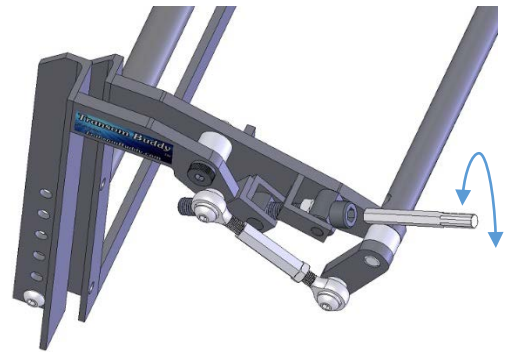
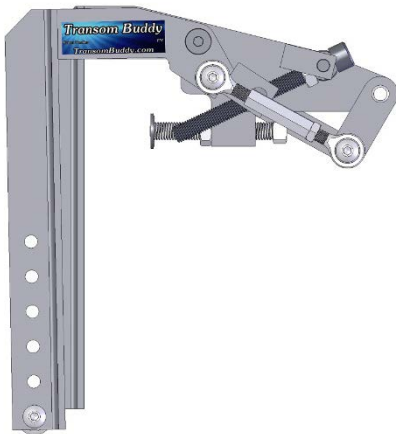
This option enhances operation and performance, especially on smaller engines. Our Whale Tail is designed and machined from 1/4" thick 6061-T6 aluminum for maximum strength and rigidity. It is a weed less design, and it's thin and aerodynamic profile cuts cleanly thru the water to minimize drag and provide maximum performance. Mounting hardware is included.

Transom Buddy Tilt & Trim



Maximize Boat Performance

It provides a simple and easy way to adjust the tilt and trim of your outboard motor. This can allow the motor to be raised in those shallow spots where some of the big ones hide.

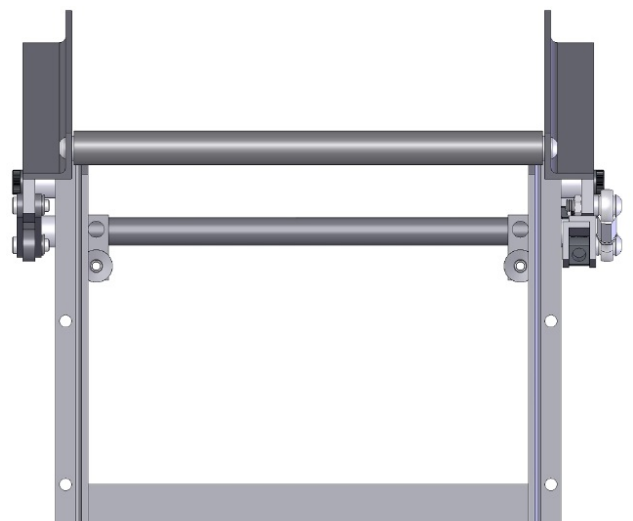


Installation, Maintenance & Operation



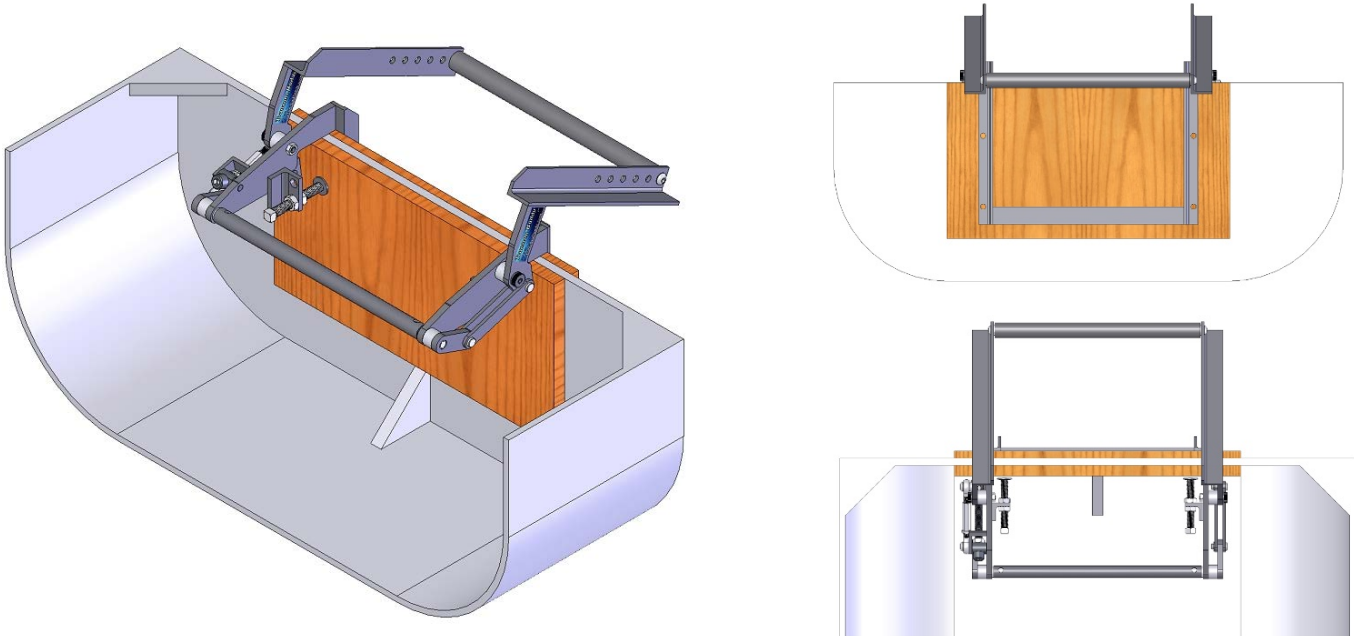
Mounting the Unit

Transom Clamps are used to mount the unit. It is optional to also use 3/8" grade 5 or stronger mounting bolts for additional security.



Clamp Mounting the Unit

First, center the unit on the boat transom.

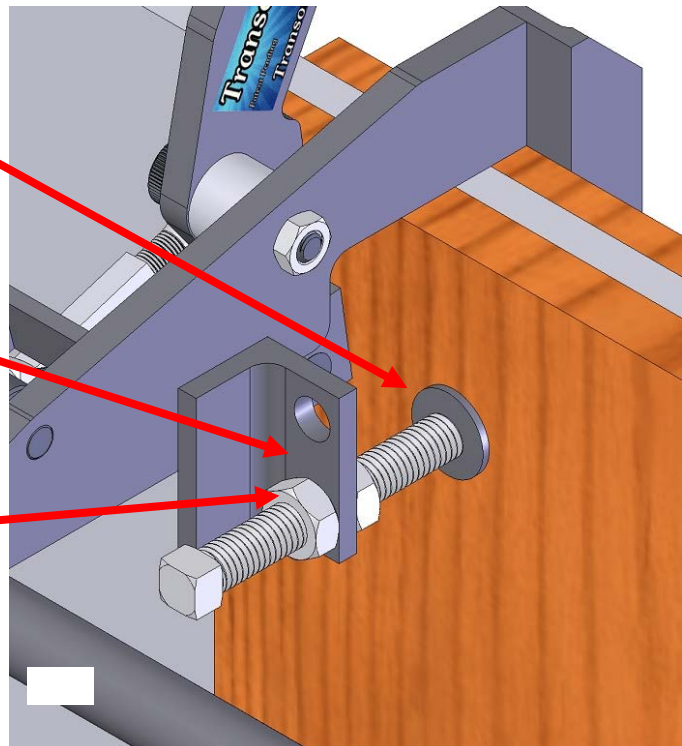


Next, tighten the transom clamps. Be careful not to over tighten the clamp bolts and damage the boat's transom. You want the clamp swivel mounts to bit into the boat's transom but do not over do it. Then tighten the clamp jam nuts against the clamp bracket to lock the clamp bolts in place.

Clamp Swivel Mount

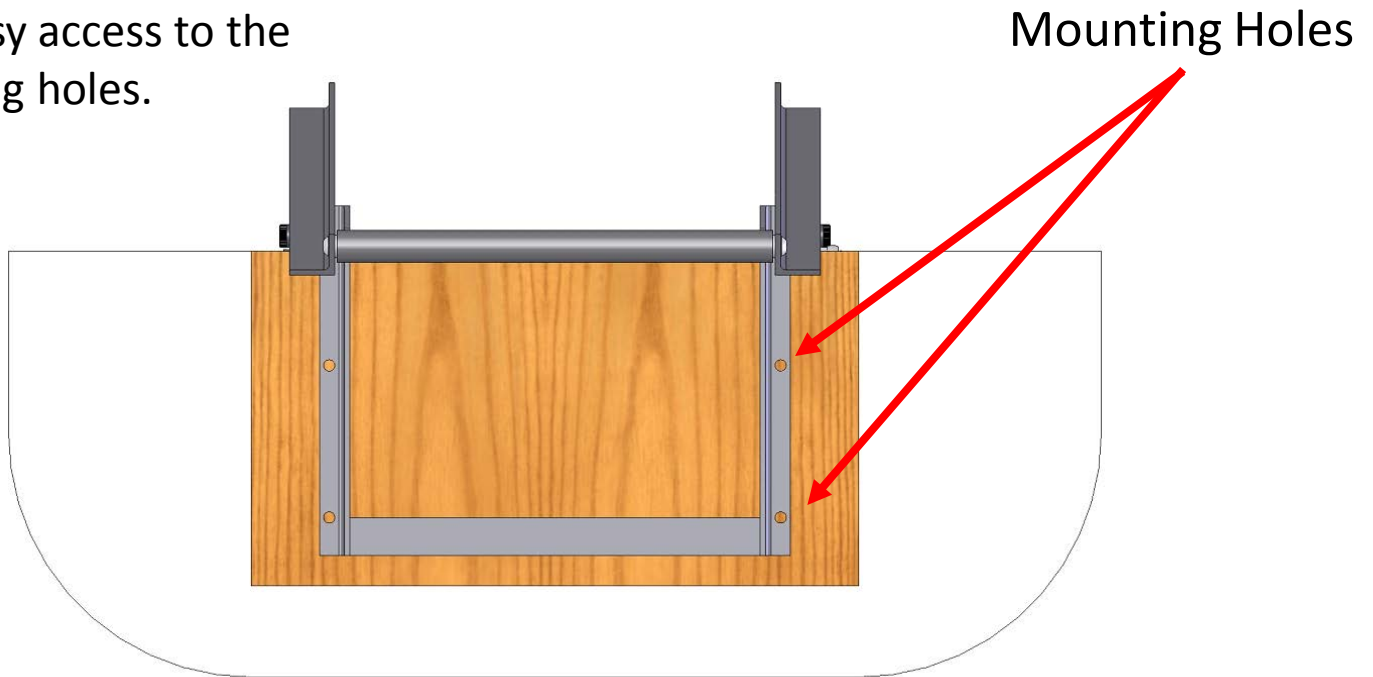
Clamp Bracket

Clamp Jam Nut



Drilling Bolt Mounting Holes

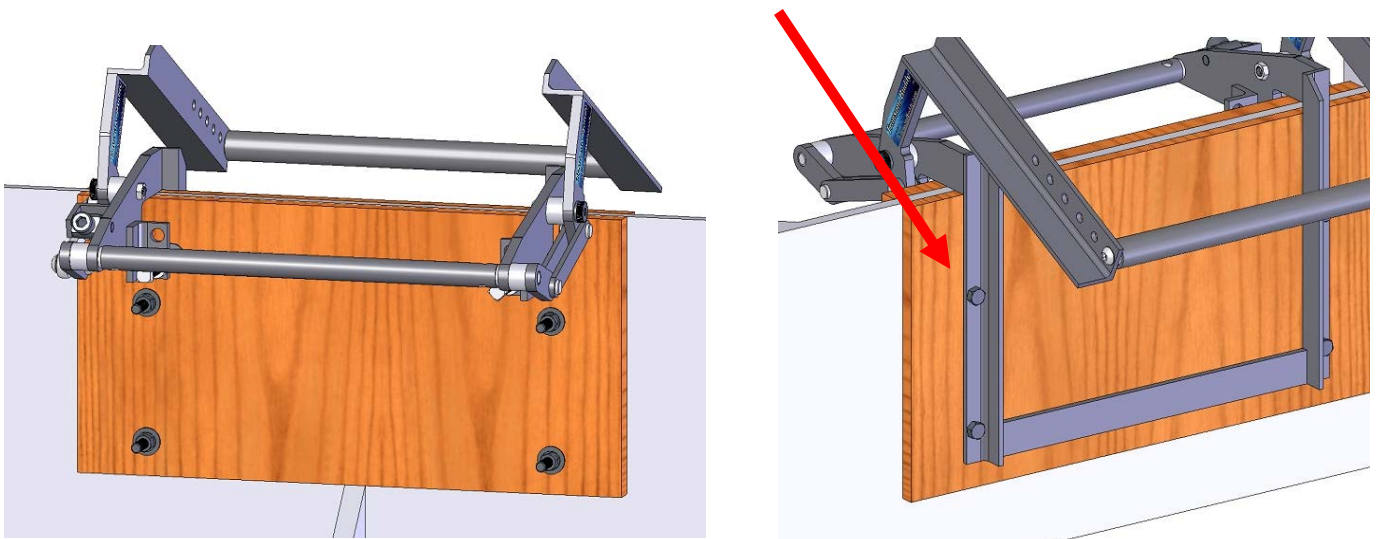
Operate the unit so you have easy access to the mounting holes.



Mark and drill the 3/8" mounting holes in the boat transom. You should be able to use the Unit's mounting brackets as a template to drill your holes.

Installation of Mounting Bolts

Install the mounting bolts with the bolt heads against the unit's mounting bracket. This will assure clearance between the mounting bolts and the pivoting portion of the unit.



Mounting Your Motor

Following the motor manufacturer's mounting instructions, mount your motor to the center of the boat transom. The motor should be centered with Transom Buddy. Make sure you cycle the unit after installation to confirm that no interference occurs. **NOTE: It is important that you release the motor's tilt lock before operation to prevent potential damage.**



It's better to relocate the roller guide so that it contacts a non-rotational portion of the motor.

Safety Chain

Make sure that the motor is safety chained directly to the boat before operation.



Motor Latch Release

It is important that you release the motor's tilt lock before operation, allowing the unit to properly tilt the motor and prevent potential damage.



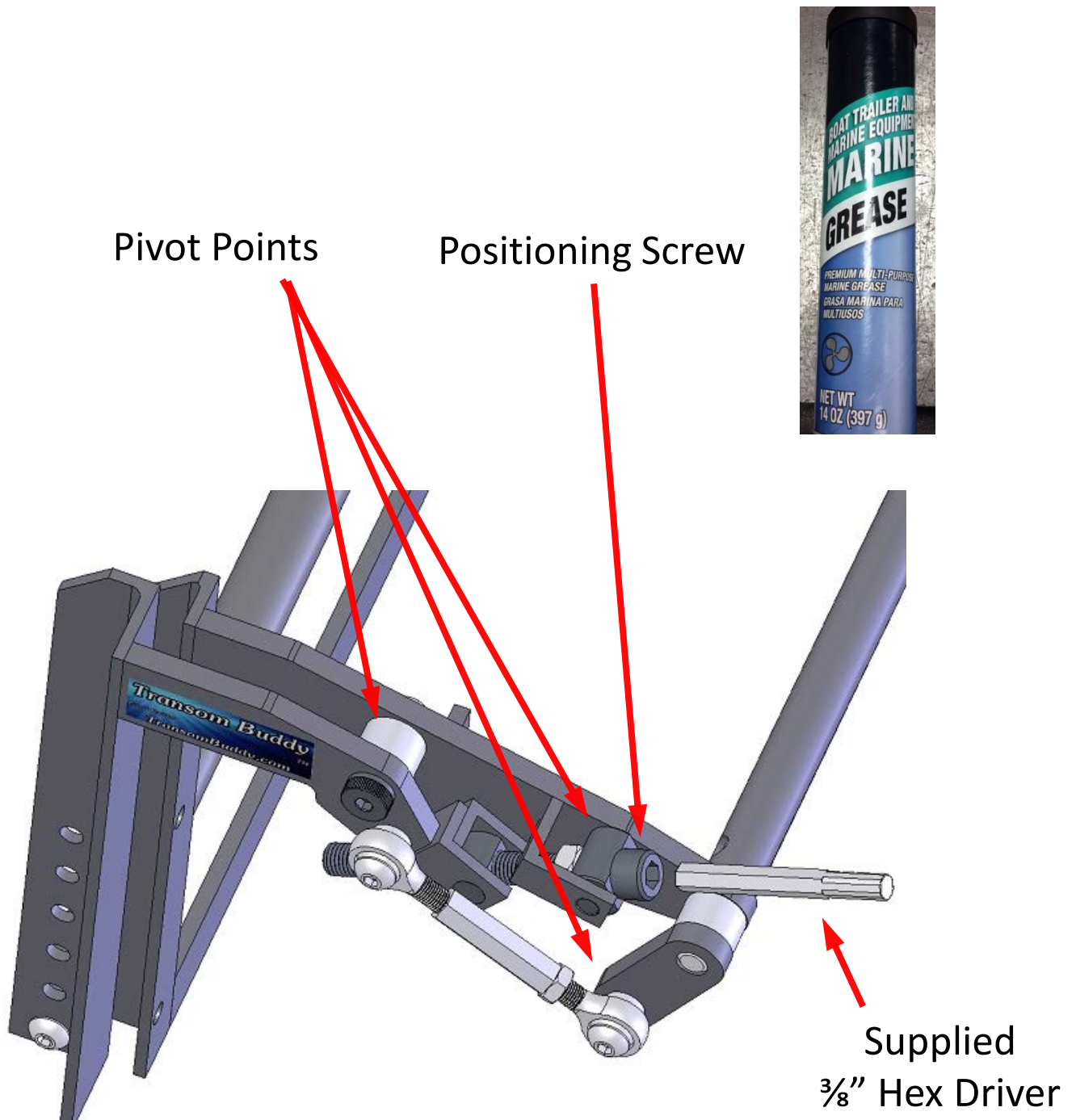
Tie Motor Down Before Trailering

Make sure you secure the motor to the trailer before towing. This will help prevent over stressing and damaging the boat's transom and Transom Buddy during traveling on rough roads.



Lubrication

Lubricate the pivot points with oil and the positioning screw with a marine grease a minimum of several times a year. We believe it is best to lubricate your unit after every use, insuring it is ready to go the next time you want to use it.



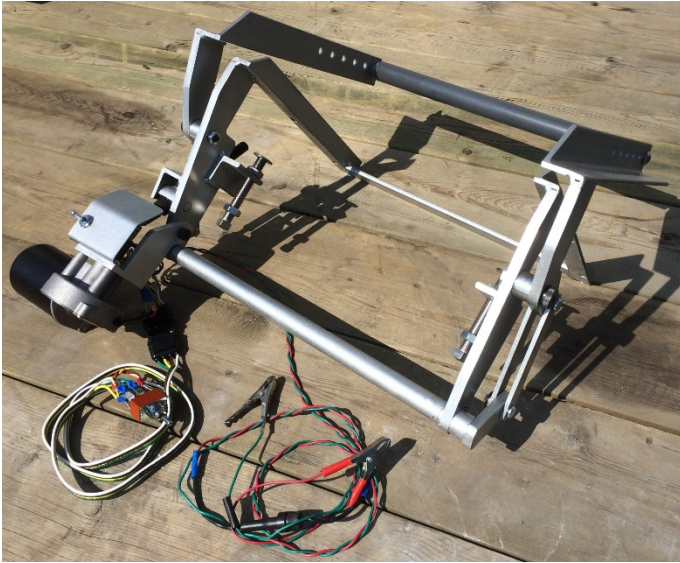
Operation

Always make sure that your motor is deep enough in the water to ensure that the water inlet port is submerged. You want to make sure that your motor has a stream of water being expelled. This height will vary with speed. The faster you go, the deeper the motor will need to be. Shallow water operation can be greatly enhanced by tilting the motor and operating at a slow speed. Learning your boat and motor operating characteristics will make these adjustments easy.

Tilt adjustments can easily be accomplished using the supplied hex driver. Power operation using a cordless drill, or manually using a ratchet wrench and $\frac{3}{8}$ " socket.

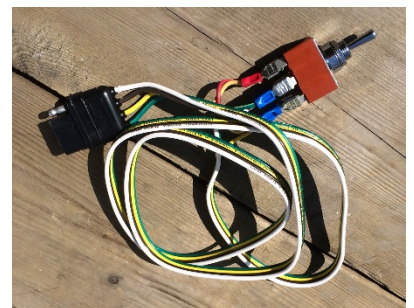
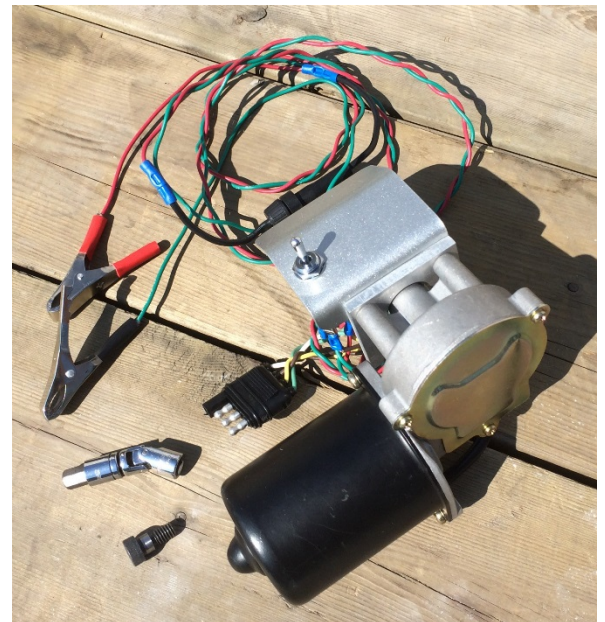


Transom Buddy Tilt & Trim with Power Unit



Installation

You can purchase the complete package or add the Power Unit and Power Unit Remote Switch later. Installation is plug and play as shown in the photos. Insert the hex key into the drive screw as you mount the power unit with one shoulder bolt. Simple battery clip power hookup (red +, green -) with inline fuse. The remote switch is a simple plug-in installation for power and control hookup. Only requires a 1/2" hole for mounting the toggle switch. Allows operation remotely and at the unit

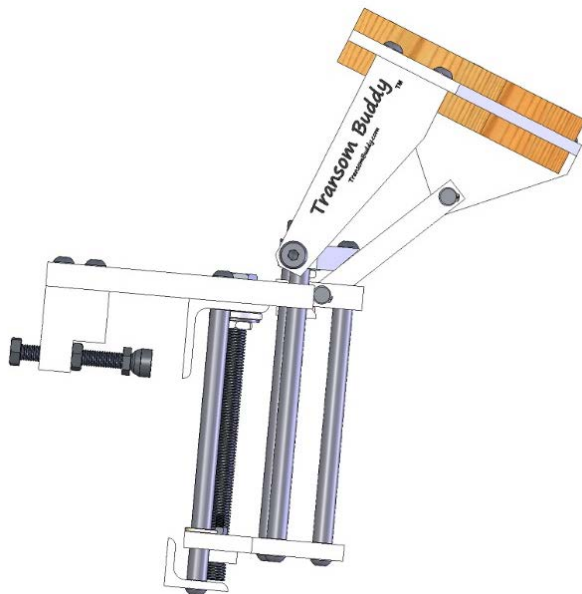
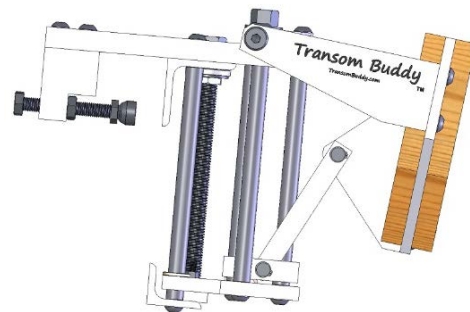
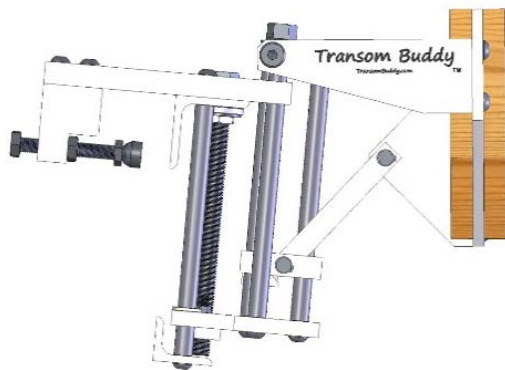


Transom Buddy Tilt, Trim & Jack



Maximize Boat Performance

It provides a simple and easy way to adjust the trim, tilt and height of your outboard motor. This improves the ride level of the boat, maximizes speed and economy, and allows the motor to be raised in those shallow spots where some of the big ones hide.

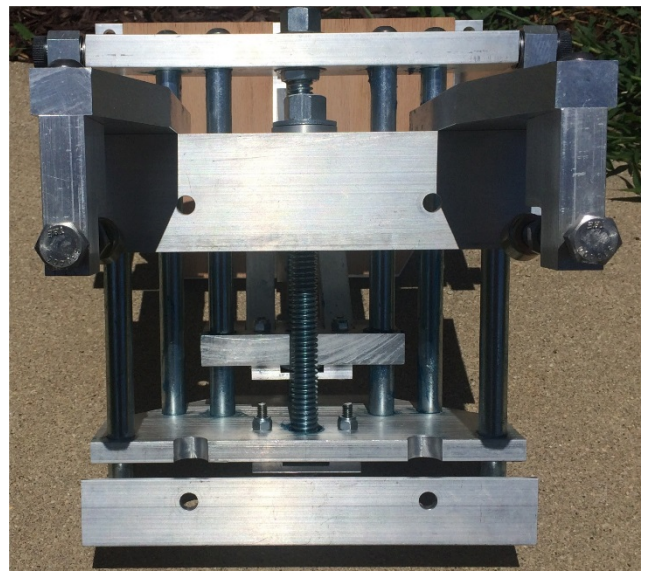
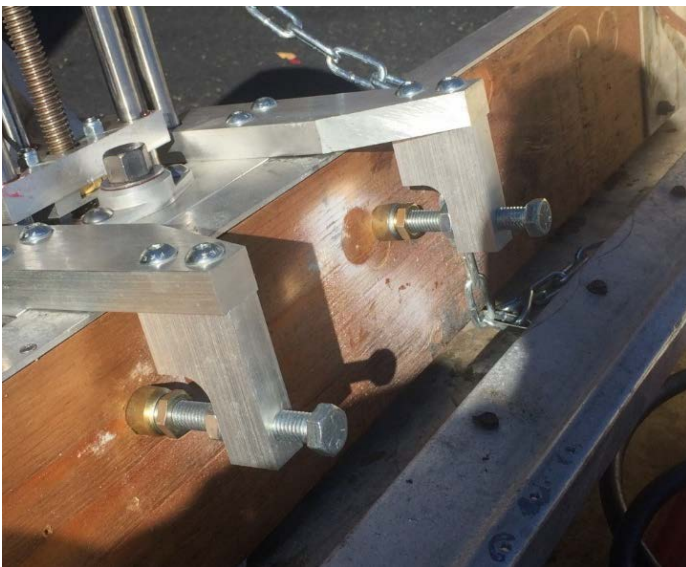


Installation, Maintenance & Operation



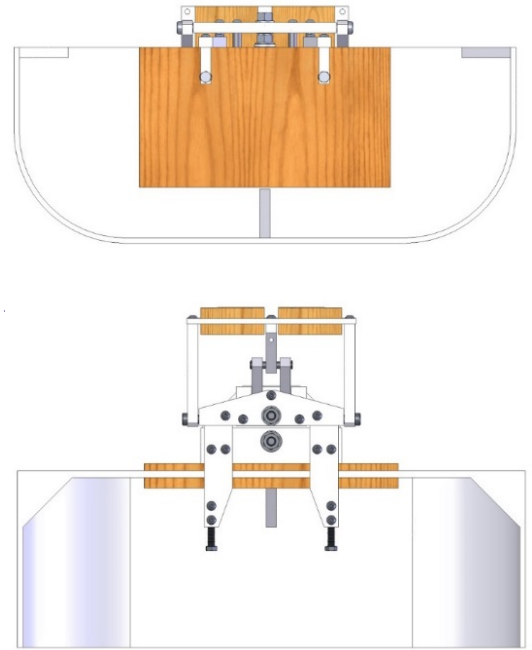
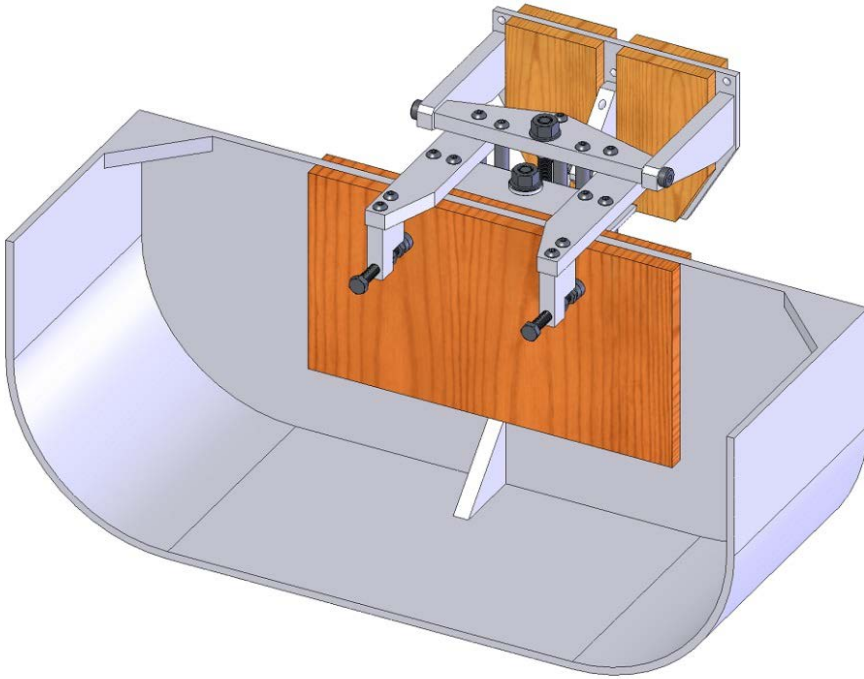
Mounting the Unit

Transom Clamps and 3/8" grade 5 or stronger mounting bolts are used to mount the unit.



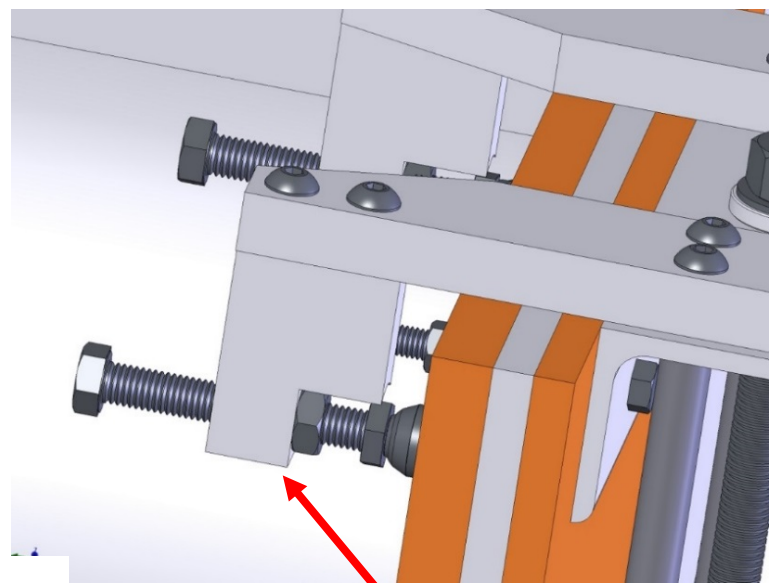
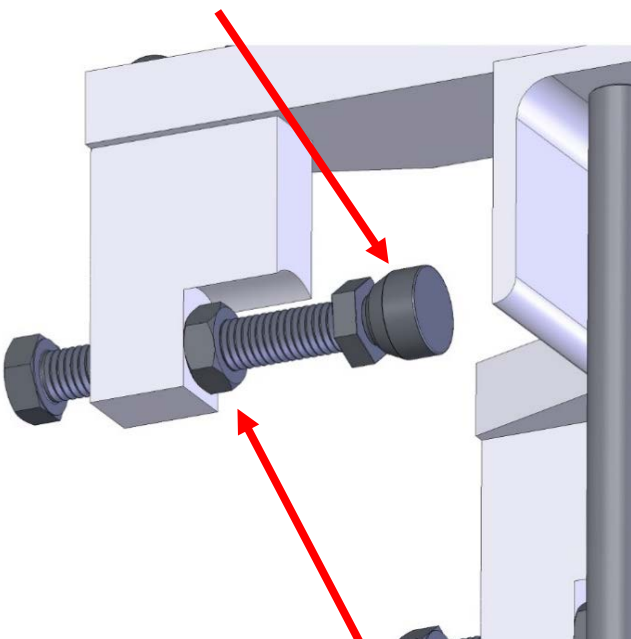
Clamp Mounting the Unit

First, center the unit on the boat transom.



Next, tighten the transom clamps. Be careful not to over tighten the clamp bolts and damage the boat's transom. You want the clamp swivel mounts to bite into the boats transom but do not over do it. Then tighten the clamp jam nuts against the clamp bracket to lock the clamp bolts in place.

Clamp Swivel Mount

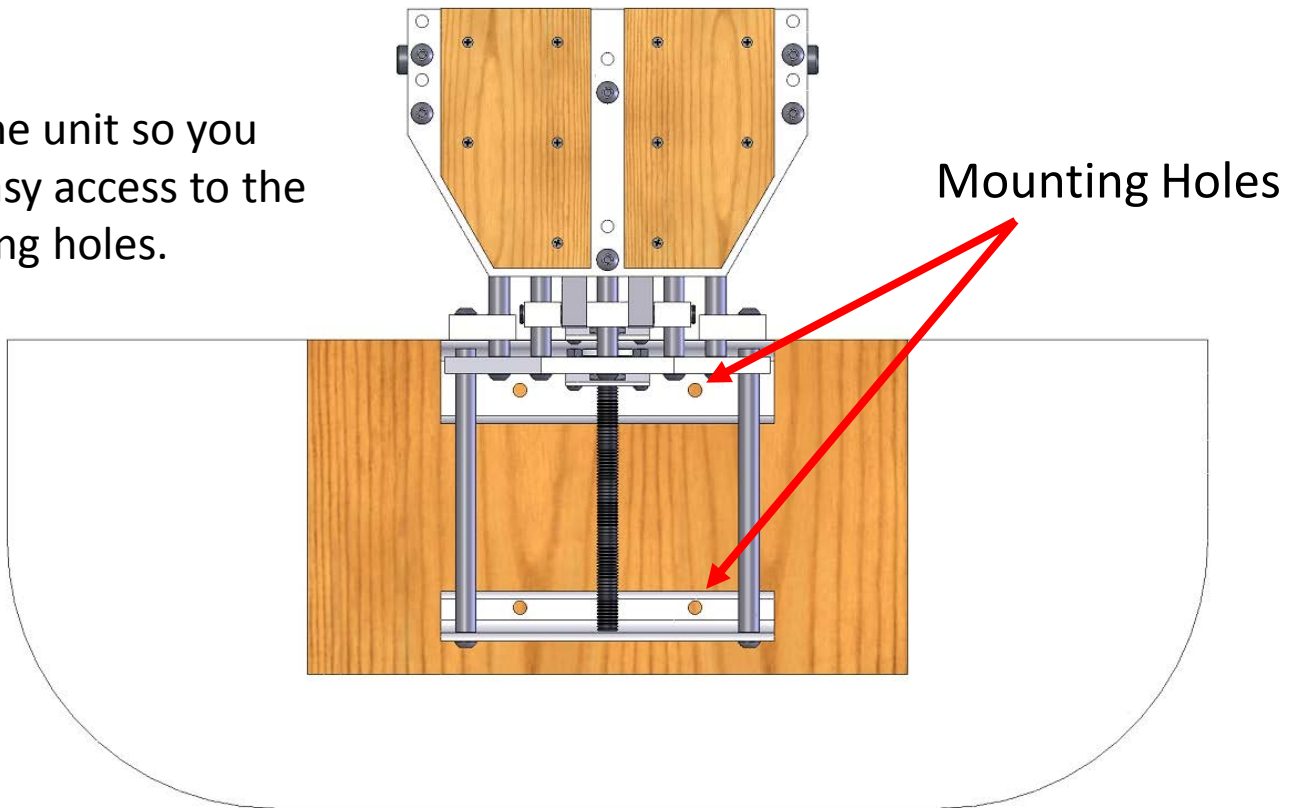


Clamp Jam Nut

Clamp Bracket

Drilling Bolt Mounting Holes

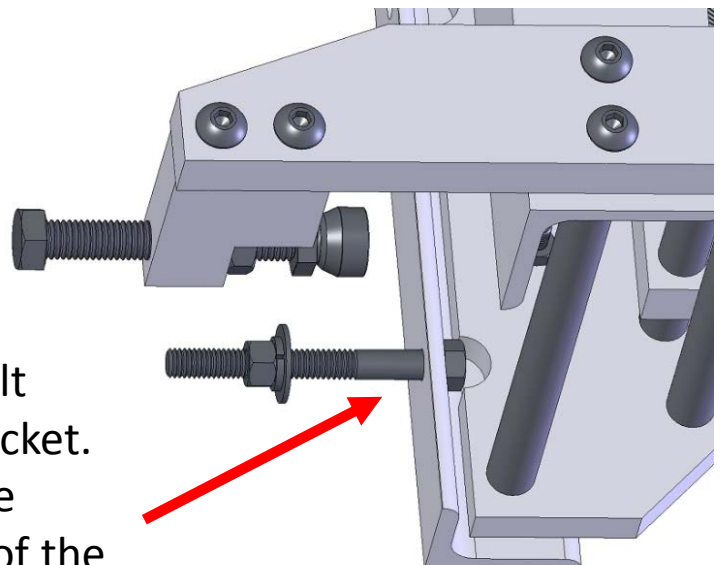
Raise the unit so you have easy access to the mounting holes.



Mark and drill the 3/8" mounting holes in the boat transom. You should be able to use the Unit's mounting brackets as a template to drill your holes.

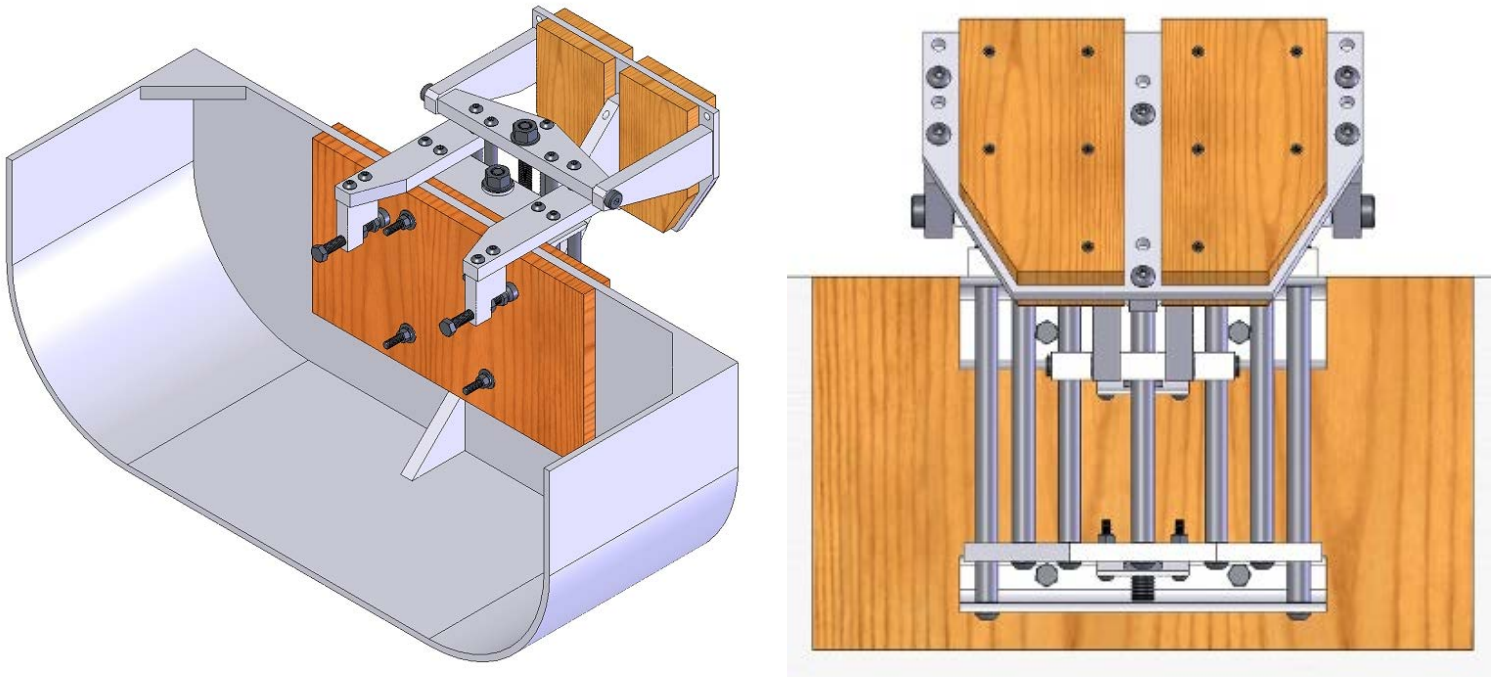
Installation of Mounting Bolts

Install the mounting bolts with the bolt heads against the unit's mounting bracket. This will assure clearance between the mounting bolts and the moving slide of the unit.



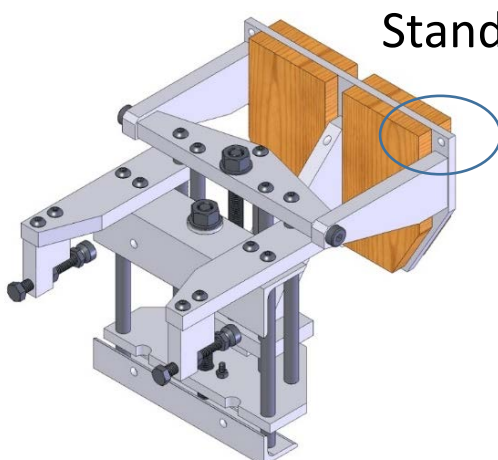
Installation of Mounting Bolts

Coat the mounting bolts and transom mounting holes with a water proof RTV to prevent leakage. We do not provide the mounting bolts, flat washers and lock washers. Use grade 5 or stronger hardware.

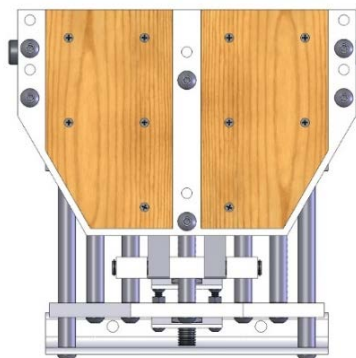


Additional Fixed Height Adjustment

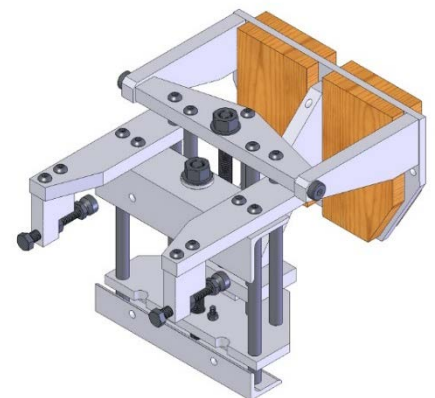
Using a short shaft motor on larger deep “V” boats, may make it desirable to have the capability to lower the motor a little extra. We have provided an extra inch of fixed height adjustment by repositioning of the units transom plate. Simply remove the six 3/8” screws and reposition the transom plate. Tighten the screws to 30 lb.-ft.



Standard Position

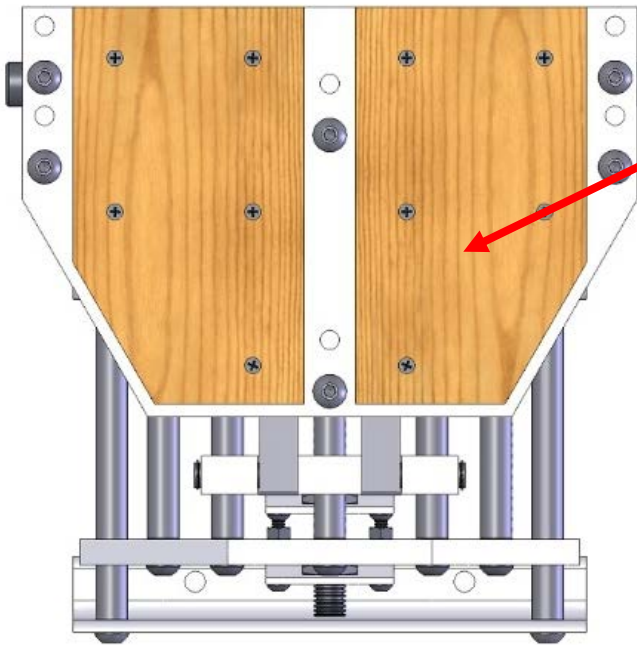


Lowered 1” Position



Mounting Your Motor To Transom Buddy

Following the motor manufacturer's mounting instructions, mount your motor to Transom Buddy. The motor mounting holes can be transferred and drilled into Transom Buddy's transom plate without voiding the warranty. Make sure you cycle the unit after installation to confirm that no interference occurs from the motor mounting hardware.



Transfer your motor mounting holes to Transom Buddy and drill the holes. Follow the motor manufacturer's instructions as previously instructed.

Safety Chain

Make sure that the motor is safety chained directly to the boat before operation.



Motor Latch Release

It is recommended that you release the motor's tilt lock before operation to help prevent damage if something is hit.



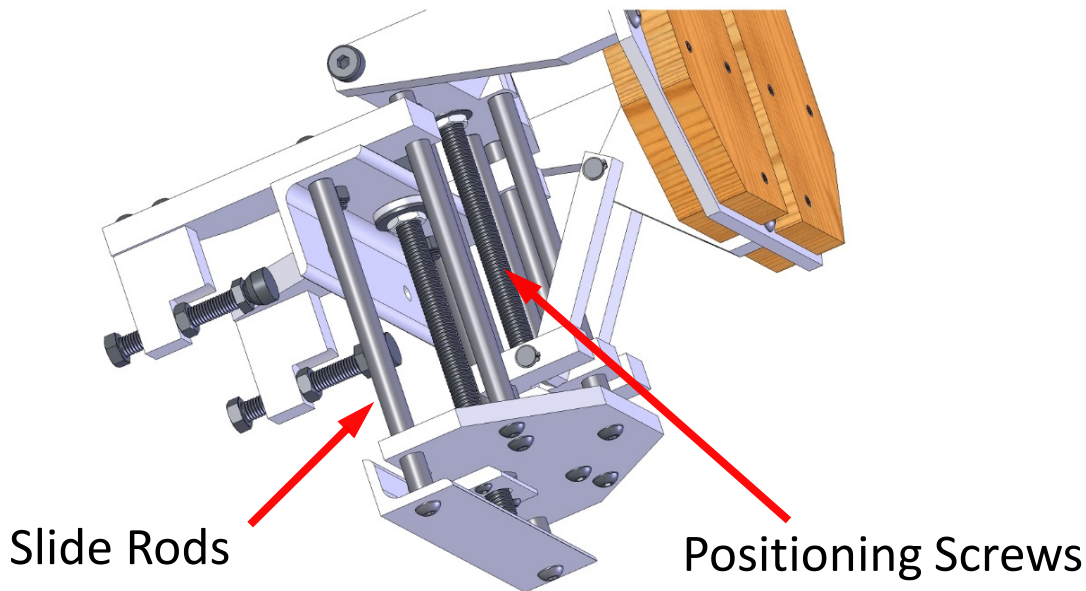
Tie Motor Down Before Trailering

Make sure you secure the motor to the trailer before towing. This will help prevent over stressing and damaging the boat's transom and Transom Buddy during traveling on rough roads.



Lubrication

Lubricate the slide rods and positioning screws with a marine grease a minimum of several times a year. We believe it is best to lubricate your unit after every use, insuring it is ready to go the next time you want to use it.



Operation

Always make sure that your motor is deep enough in the water to ensure that the water inlet port is submerged. You want to make sure that your motor has a stream of water being expelled. This height will vary with speed. The faster you go, the deeper the motor will need to be. Also, the deeper you position the motor, the more drag it creates and the slower your top speed will be. Shallow water operation can be greatly enhanced by raising the motor and operating at a slow speed. Learning your boat and motor operating characteristics will make these adjustments easy.

Trimming the unit to the correct angle to allow the boat to plane properly will result in safer and better handling, and improved fuel economy and top speed. Loading of the boat will affect this adjustment.

Height and angle adjustments can easily be accomplished manually with a ratchet wrench and socket, or by power using a cordless drill and socket.



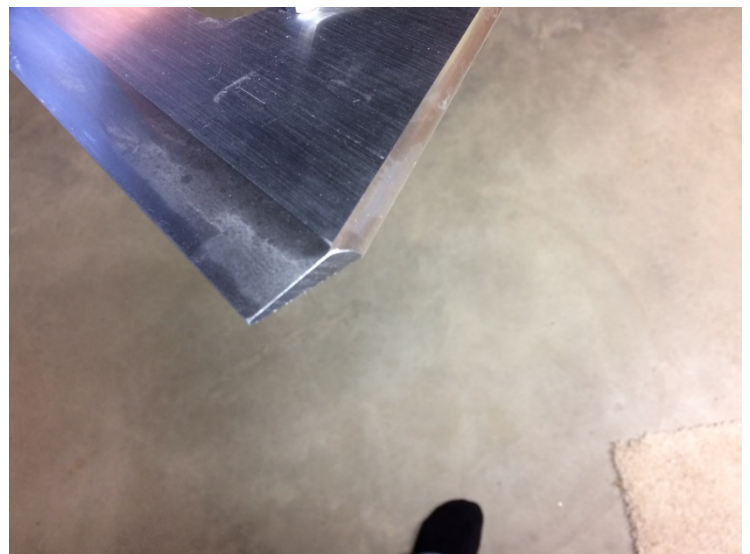
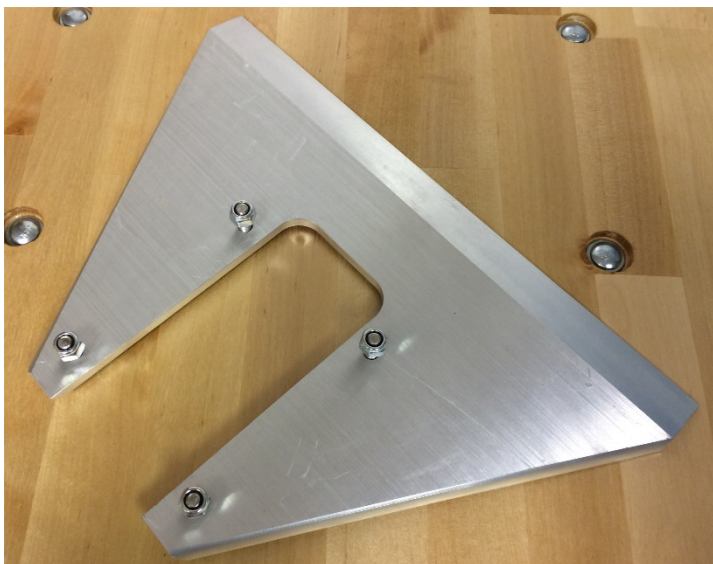
Transom Buddy Whale Tail

Features & Installation



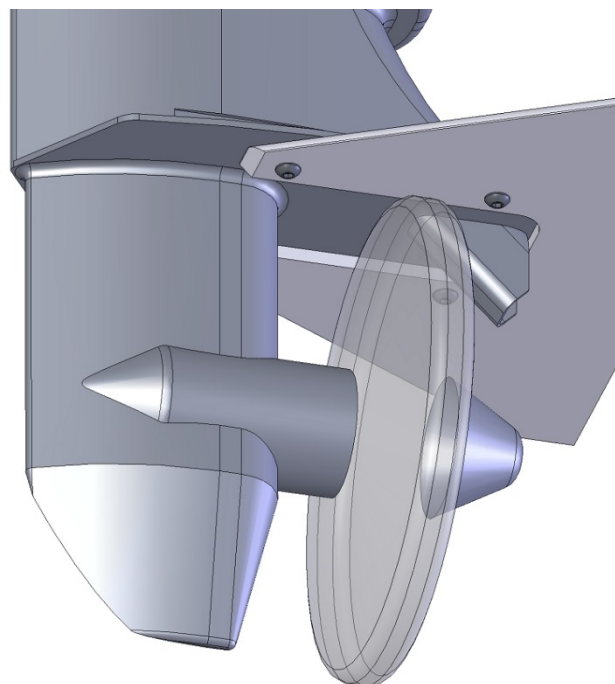
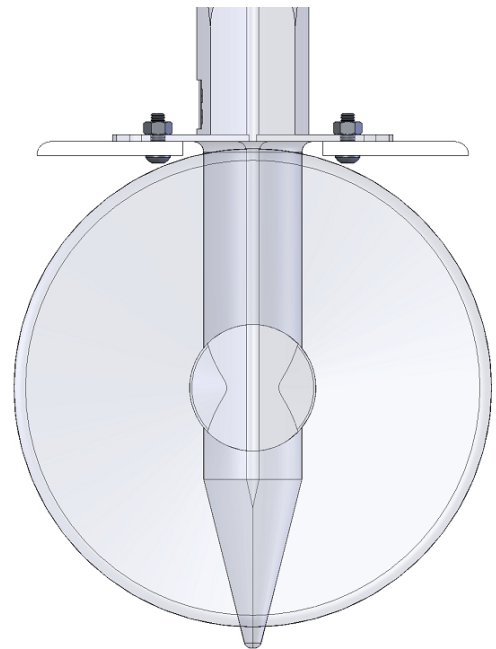
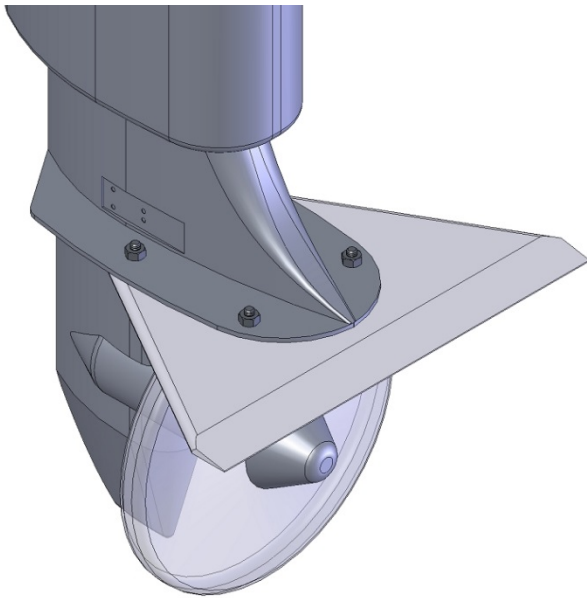
Whale Tail Features

This option enhances operation and performance, especially on smaller engines. Our Whale Tail is designed and machined from $\frac{1}{4}$ " thick 6061-T6 aluminum for maximum strength and rigidity. It is a weed less design, and it's thin and aerodynamic profile cuts cleanly thru the water to minimize drag and provide maximum performance. Mounting hardware is included.



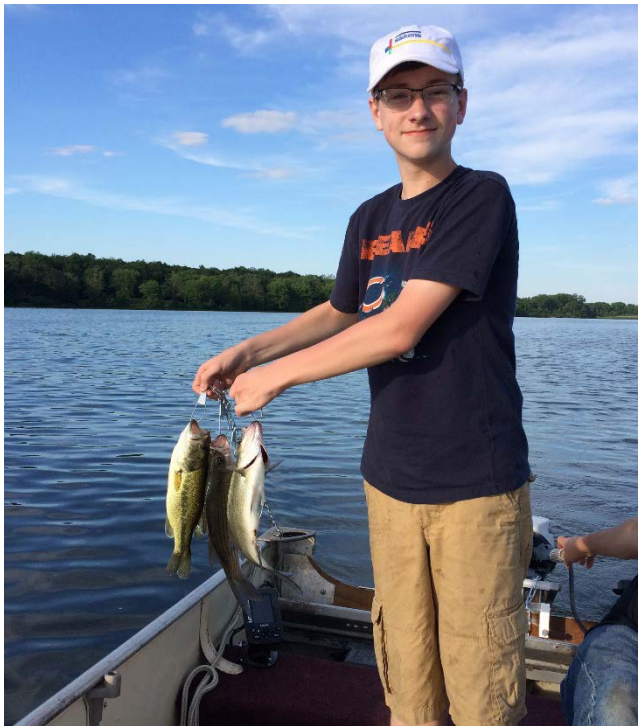
Whale Tail Installation

Center and clamp the unit on the motor housing fin as showed, and mark and drill the $\frac{1}{4}$ " mounting holes. Make sure that you check that the prop clears the unit prior to installation. It can also be mounted to the top of the motor fin, however, it is best to mount it on the bottom as showed. The mounting screws should be inserted with the heads down as shown for maximum performance.



Transom Buddy

Transom Buddy products are designed by fishermen for fishermen. We are a division of Xtreme4Wheels, Inc., which is a leader in the automotive modification and restoration industry. We are staffed with the most qualified craftsmen and we are all about performance, quality, safety and reliability. In addition to vehicle restoration and modification, we specialize in designing and manufacturing products to improve vehicle performance and appearance.



Transom Buddy
Division of Xtreme4Wheels, Inc.
5330 Forest Hills Ct.
Loves Park, IL 61111
Phone: 815-978-3628
or 815-580-4144 or 815-904-9059
Email: TransomBuddy@TransomBuddy.com
Web: TransomBuddy.com



STANDARD TERMS AND CONDITIONS AND WARRANTY

THE FOLLOWING TERMS AND CONDITIONS GOVERN ALL SALES OF TRANSOM BUDDY PRODUCTS AND SERVICES.

1. **ORDER ACCEPTANCE, PRICES:** Acceptance of order, whether oral or written, is based on the express condition that Buyer agrees to all of the terms and conditions expressed herein. All quoted prices are valid for 30 days from the date thereof unless otherwise specified. Thereafter, all prices are subject to change without notice. Verbal quotations must be acknowledged by TRANSOM BUDDY in writing to be valid.
2. **TAXES:** Quoted prices do not include local, state or federal taxes or any other such assessment related to the sale. All taxes are the sole responsibility of the Buyer.
3. **TERMS OF PAYMENT:** Standard Terms of Payment is full payment in advance prior to shipment.
4. **DELIVERY:** Seller will use its best efforts to adhere to the stated delivery terms. However, Seller shall not be liable for any loss or damage caused by delays which are reasonable or beyond Seller's reasonable control. Buyer shall not be entitled to any damage for Seller's failure to deliver timely. All sales are made F.O.B. point of shipment, transportation at Buyer's expense, with risk of loss passing to Buyer upon Seller placing the goods into possession of a common carrier at the place of shipment.
5. **CLAIMS AND RETURNS:** Any claims for errors, shortages, defective goods or allowances must be made in writing to TRANSOM BUDDY within ten (10) days after receipt of the goods. No products shall be returned to TRANSOM BUDDY without TRANSOM BUDDY's return authorization. All returns must be properly packed, fully insured by Buyer, with transportation charges prepaid by Buyer. All returns are subject to inspection at our facility. A restocking charge may be made on merchandise accepted for return, except for defective material in accordance with our standard warranty or incorrect shipments.
6. **WARRANTY:** TRANSOM BUDDY warrants that its products are free from defects in material and/or workmanship for a period of one year from the original date of shipment, unless otherwise agreed to in writing by TRANSOM BUDDY. TRANSOM BUDDY's obligation under this limited warranty is limited to repair and replacement at TRANSOM BUDDY's facility of any part or parts thereof which shall be returned to our facility and which our examination shall disclose to our satisfaction to have been defective. This limited warranty shall not apply to any products or parts which have been repaired or altered outside of our facility so as, in our judgment, to affect serviceability or to products or parts which have been subjected to accident, negligence, damage in transit, misuse, mishandling, or which shall have been used or installed contrary to instructions.

THE ABOVE WARRANTY IS IN LIEU OF ALL OTHER WARRANTIES, EXPRESS OR IMPLIED. THERE ARE NO WARRANTIES WHICH EXTEND BEYOND THE FACE HEREOF, INCLUDING WARRANTIES OF MERCHANTABILITY AND FITNESS FOR A PARTICULAR PURPOSE. TRANSOM BUDDY SHALL NOT BE LIABLE TO ANY PERSON FOR ANY SPECIAL, INDIRECT OR CONSEQUENTIAL DAMAGES INCLUDING, BUT NOT LIMITED TO, LOST PROFITS, OR ANY CAUSE OF ACTION WHATSOEVER ARISING OUT OF OR IN ANY WAY CONNECTED WITH THE MANUFACTURE, SALE OR USE OF THE PRODUCTS, AND IN NO EVENT SHALL TRANSOM BUDDY'S LIABILITY EXCEED THE PURCHASE PRICE OF THE PRODUCTS.

7. **CHANGES IN DESIGN:** In due course of our manufacturing procedure, TRANSOM BUDDY reserves the right to change or modify the design and construction of any of our products without incurring any obligation to notify any customer or furnish or install such changes or modifications on products previously or subsequently sold.
8. **ATTORNEY FEES:** Buyer shall be liable to TRANSOM BUDDY for any costs, expenses and legal fees incurred by TRANSOM BUDDY in enforcing any of its rights thereunder.
9. **GENERAL:** All sales are expressly conditioned on the terms and conditions set forth herein. Acceptance of or payment for any of the goods constitutes Buyer's agreement to these terms and conditions. This document contains the entire agreement of the parties, and no change or waiver of any such terms shall be effective unless expressed in writing and signed by Seller. Waiver by Seller of a breach of any of the terms and conditions of this Contract shall not be construed as a waiver of any other breach or any prior or subsequent breach.

The rights and obligations of all parties under these terms and conditions shall be governed by the laws of the State of Illinois.