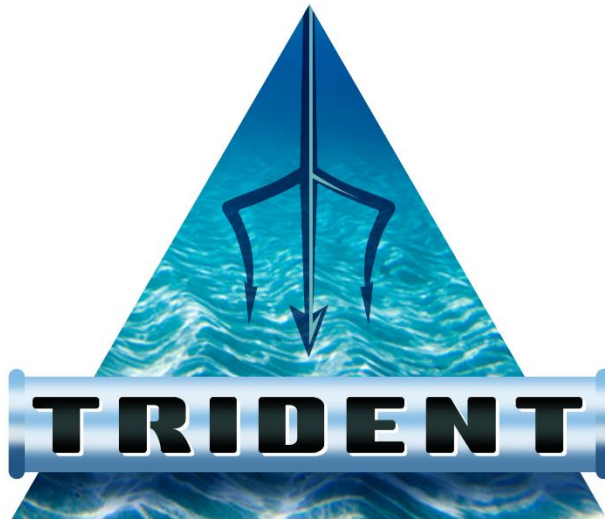
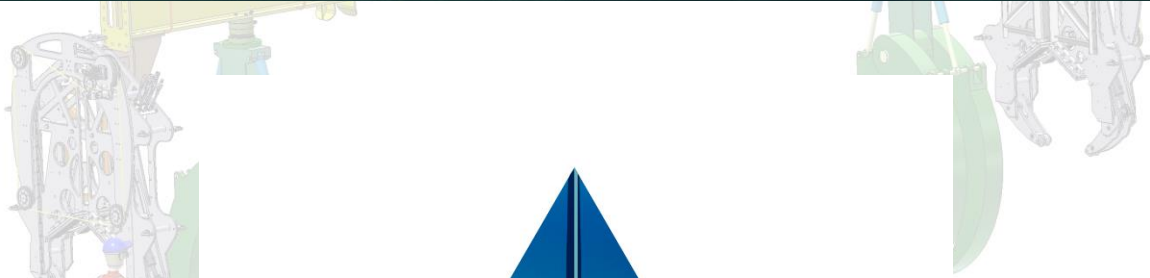
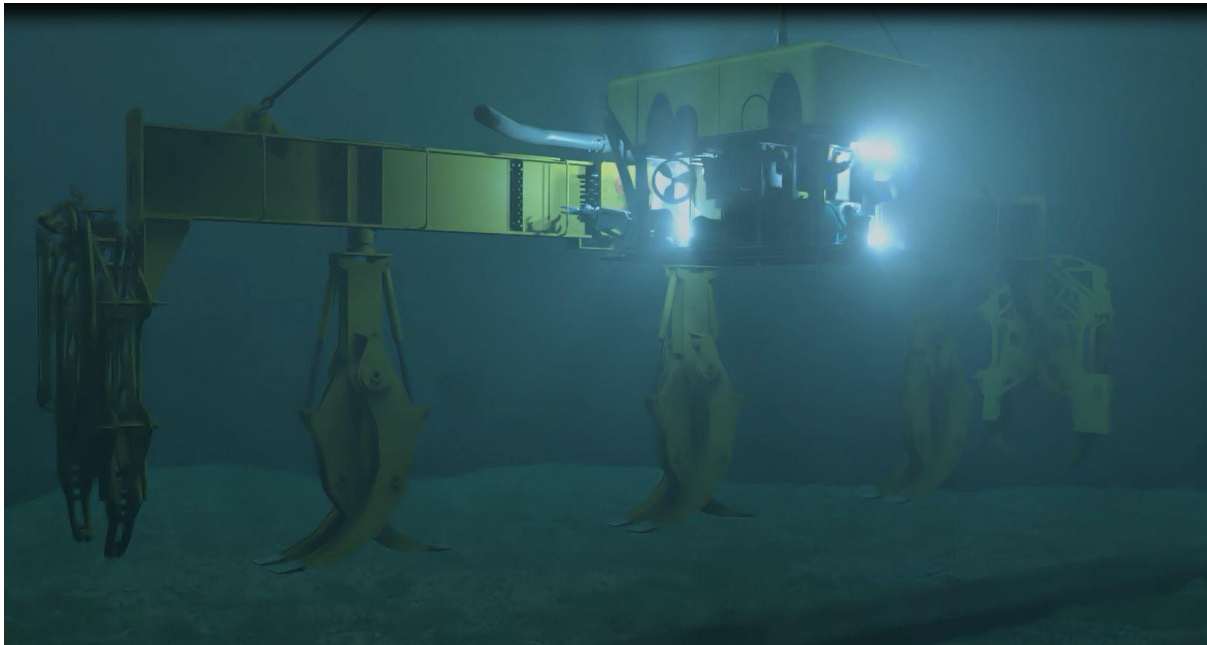




# TRIDENT



Subsea

Tooling

Services Trident

Subsea Tooling Services have developed the first in a series of large decommissioning & IRM tools.



The Trident, a unique tool that is designed to dredge, cut & recover pipelines & umbilical's all in one operation, saving our clients valuable vessel time.

The tool can also be configured for various other seabed recovery purposes.

Trident can be controlled by either work class ROV via the STS intelligent dredging system valve pack (IDS) or hydraulic power can be supplied from surface hydraulic power systems via an over boarded umbilical hose.

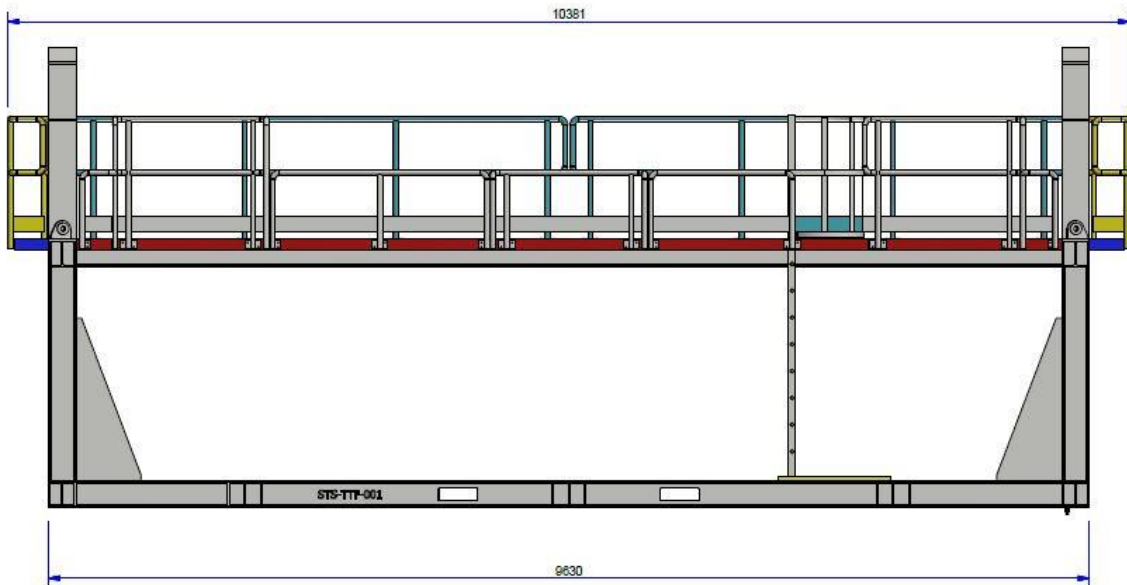
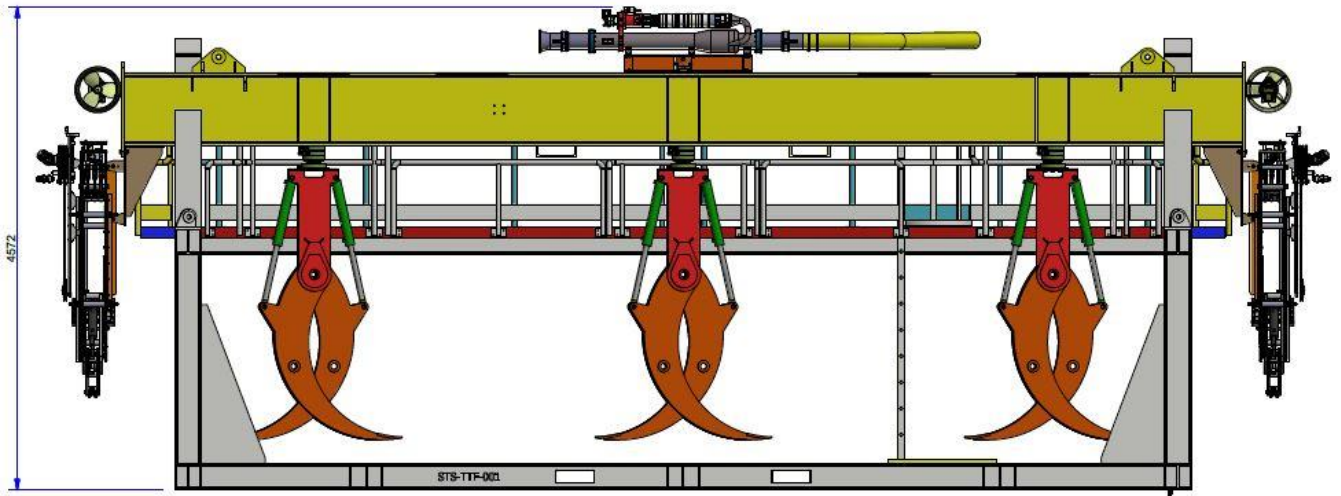
### Trident Key Features

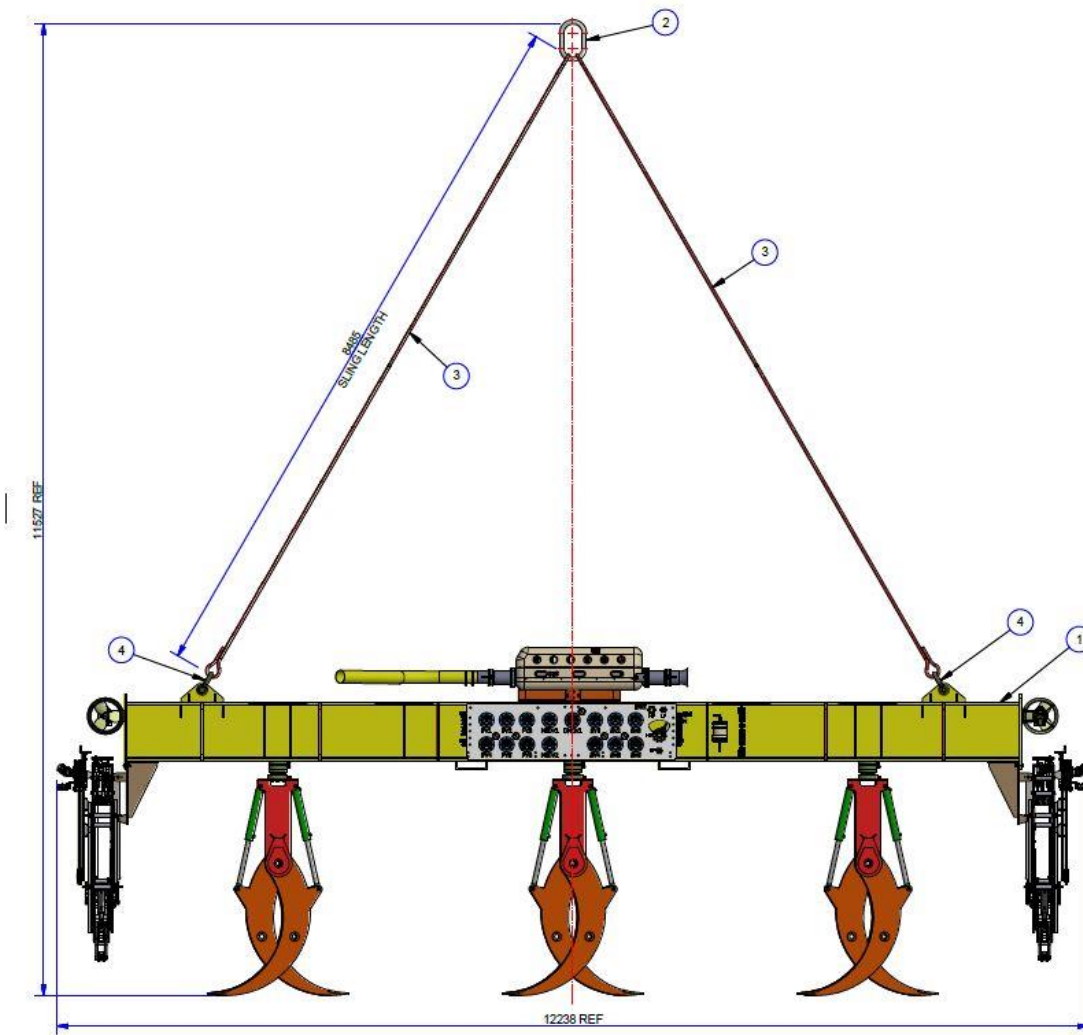
- Twin mounted diamond wire saws at each end of the tool
- Thruster systems mounted to both port & starboard ends of the tool
- ROV friendly interface panel
- Built in compact 6" Piranha dredging system
- Built in electronic pod that supplies power to 4 x LED floodlights & cameras
- Seabed sonar system
- 3 x 360 degree swivel grabs
- Can be extended to 20m in length for longer pipeline recovery
- Dual high flow & low flow hot stab systems
- Visual pressure gauges mounted to ROV panel
- Depth rated for 3000 MSW
- Comes in dedicated transportation frame that can be used for servicing the tool

### Technical Specifications

Trident Dimensions L x W x H	10762mm x 1910mm x 4440mm
Trident Weight in Kg	5750 Kg
Transportation Frame Dimensions L x W x H	9630mm x 4266mm x 2800mm
Transportation Frame Weight (Unladen) Kg	6835 Kg
Total Weight of Trident + Transport Frame	12,585 Kg
Total Lifting Height Tool + Frame	11,817mm (Transport Frame Rigging)
Tool Payload	15.000 Kg (3 Grabs 10m Length)
Hydraulic Working Pressure	210 Bar / 3045 psi
Hydraulic Flow (ROV)	120 L/pm
Hydraulic Flow (Surface Umbilical)	180 L/pm * Required to run both saws*
Hydraulic Oil Type	Shell Tellus 32 or equivalent

### G.A Drawings





TEST LIFT PARTS LIST

ITEM	QTY	DESCRIPTION	SPECIFICATION / PART No.
1	1	TRIDENT PIPE LIFTING TOOL	STS-17-022-0071
2	1	MASTERLINK	51mm - CROSBY TYPE A-344 (1257632)
3	2	WIRE ROPE SLING	38mm DIA GRADE 1960 - 6x36 STRAND IWRC GALVANISED C/W STEEL FERRULES AND HARD EYES - 8485 LG - NOTE SLINGS TO BE ASSEMBLED INTO MASTERLINK
4	2	SHACKLE	CROSBY BOLT TYPE ANCHOR - G-2130 1-3/4" 25t WLL