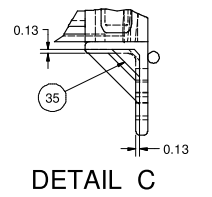
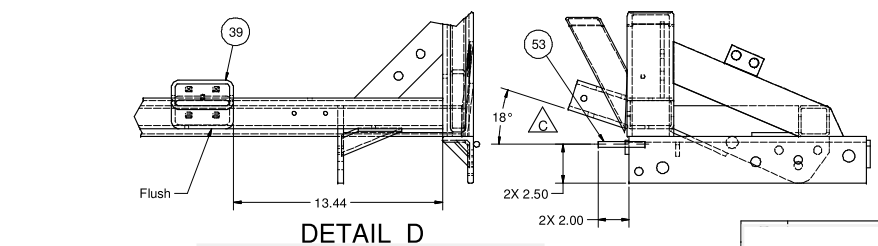
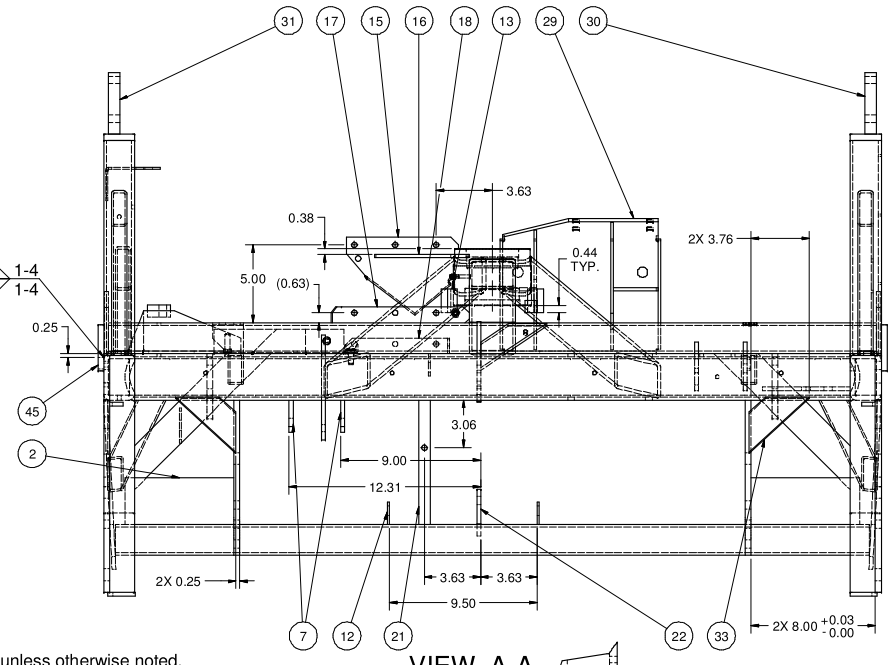
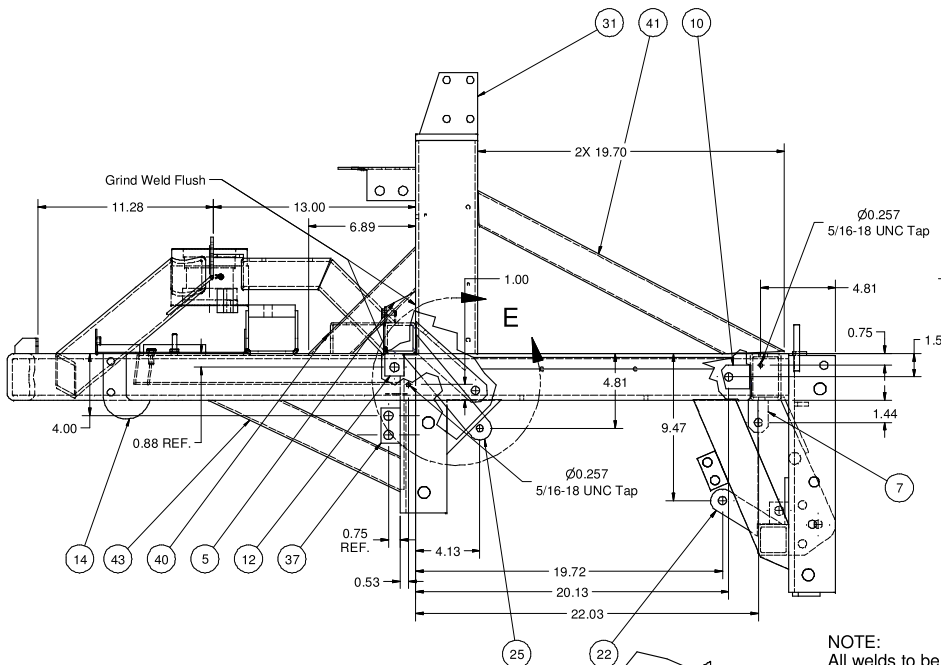


NOTES:  
 1. All welds to be 0.25 unless otherwise specified.  
 2. Revision A: Used on serial# NBJ and on.



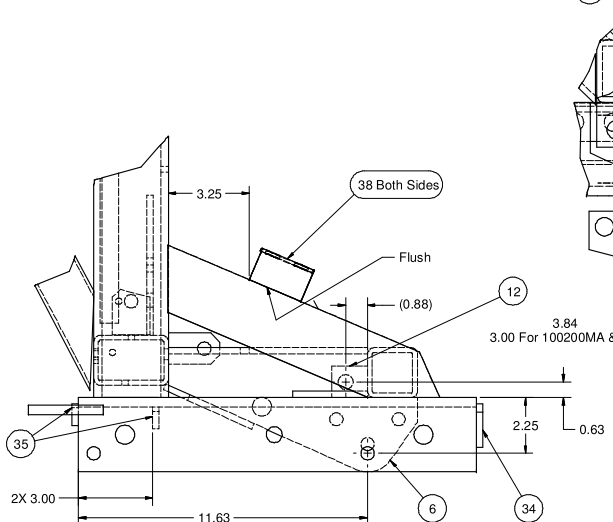
DRAWN Derek Sevier		PART DESCRIPTION Frame Weldment, Mid Side Shift		PART NUMBER	
APPROVED & DATE		PAPER SIZE B		DATE: 6/17/2011	
TOLERANCES .X= ± 0.060 .XX= ± 0.030 .XXX= ± 0.010		SCALE 1:8		SHEET 1 OF 3	

Rev.	Revision Description	ECN #	Rev. Date	Rev. By

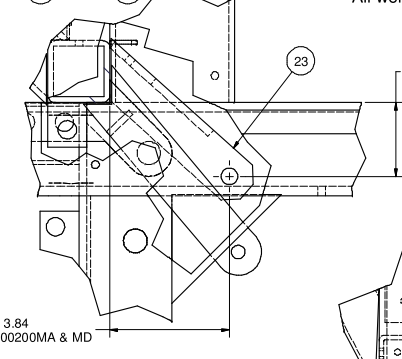


NOTE:  
All welds to be 0.25 unless otherwise noted.

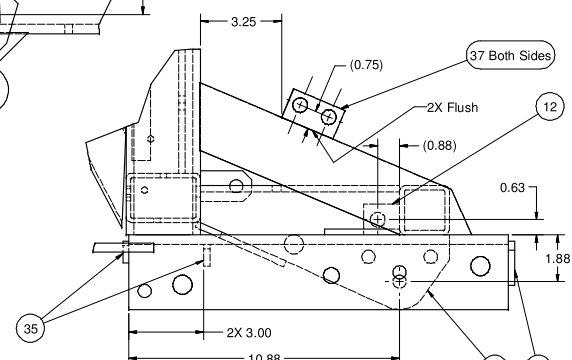
VIEW A-A



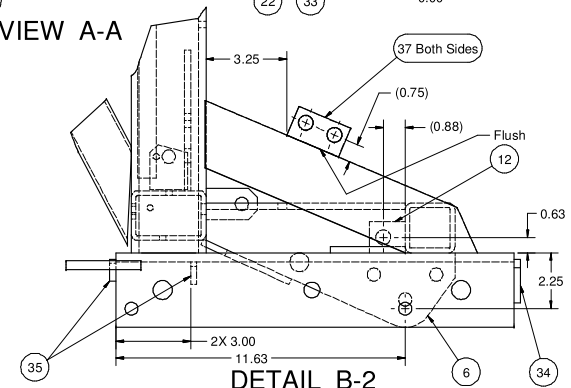
DETAIL B-3  
Only  
Scale: 1:5



DETAIL E  
Scale: 1 / 4

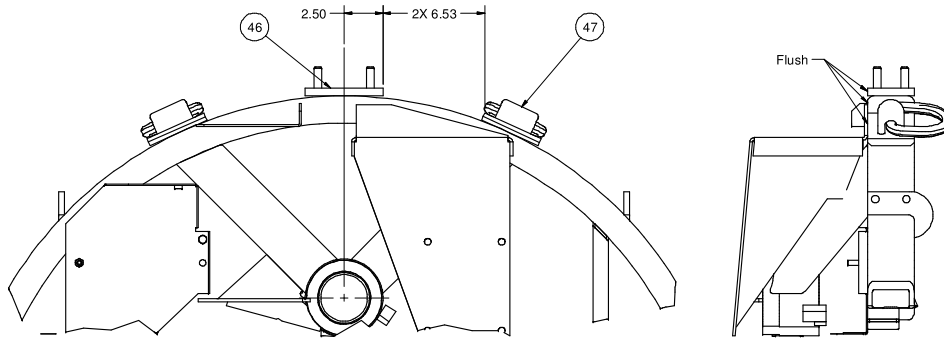


DETAIL B-1  
Scale: 1:5

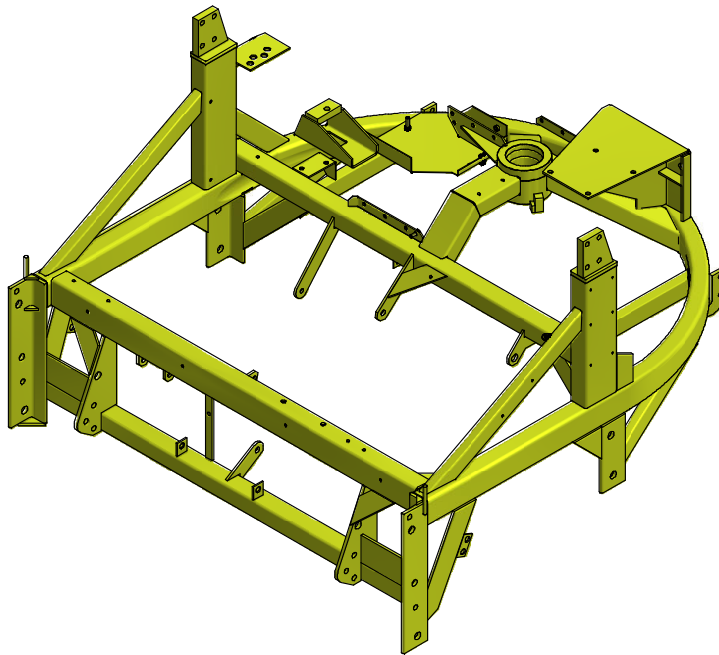


DETAIL B-2  
Scale: 1:5

DRAWN Derek Sevier APPROVED & DATE		PART DESCRIPTION Frame Weldment, Mid Side Shift		PART NUMBER
PAPER SIZE B		DATE: 6/17/2011		SCALE 1:8
TOLERANCES .X= ± 0.060 .XX= ± 0.030 .XXX= ± 0.010		SHEET 2		OF 3



Pintle Hook & D-Rings



ITEM	PART NUMBER	DESCRIPTION	200M	200MA	200MB	200MC	200MD
53		Rod, Chain Mount	2	2	2	2	2
50		Bolt, Hexhead 5/16-18 x 3/4	1	1	1	1	1
49		Washer, Split Lock 1/2"	1	1	1	1	1
47		D-Ring Weldment	0	0	0	2	0
46		Pintle Mount	0	0	0	1	0
45		Bar, Radiator	1	1	1	1	1
44		Spacer, Steering Fork Stop	1	1	1	1	1
43		Tube, Gusset Right Bottom Rear	1	1	1	1	1
42		Tube, Gusset Left Bottom Rear	1	1	1	1	1
41		Tube, Gusset	2	2	2	2	2
40		Tube, Gusset Right Rear	1	1	1	1	1
39		Tube, Steering Column Mount	0	1	0	0	1
38		Bulkhead, Two Holes	0	0	0	2	0
37		Bulkhead, Two Holes	3	3	3	1	3
35		Gusset, Angle	4	4	4	4	4
34		Gusset, Angle	2	2	2	2	2
33		Gusset, Side Shift Front	2	2	2	2	2
32		Steering Cylinder Mount Weldment	1	1	1	1	1
31		Pedestal Weldment, R.H.	1	1	1	1	1
30		Pedestal Weldment, L.H.	1	1	1	1	1
29		Seat Pedestal Weldment	1	1	1	1	1
28		Gusset, Rear Lower Angle	2	2	2	2	2
27		Gusset, Top Rear Ear	0	1	0	0	1
27		Gusset, Top Rear Ear	1	0	1	1	0
26		Air Cleaner Bracket	1	1	1	1	1
25		Ear, Rear Mount	0	1	0	0	1
25		Ear, Rear Trans Mount	1	0	1	1	0
24		Battery Box	1	1	1	1	1
23		Ear, Rear Top	0	1	0	0	1
23		Ear, Rear Top	1	0	1	1	0
22		Ear, Front Bottom	1	1	1	1	1
21		Mount, Priority Valve	1	1	1	1	1
18		Mount, Rear Tank	1	1	1	1	1
17		Mount, Front Tank	1	1	1	1	1
16		Flat, Tank Mount Gusset	1	1	1	1	1
15		Mount, Tanks	1	1	1	1	1
14		Mount, Overhead Guard	2	2	2	2	2
13		Stop	2	2	2	2	2
12		Flat, Bulkhead	3	3	3	3	3
10		Ear, Front Top	1	1	1	1	1
9		Ear Weldment, Brake Pedal	1	1	1	1	1
8		Ear, Brake Pedal	1	1	1	1	1
7		Ear, Front Bracket	2	2	2	2	2
6		Plate, Side Shift	2	2	2	2	2
5		Flat, Gusset	2	2	2	2	2
2		Flat, Side Shift Support	2	2	2	2	2
1		Frame Weldment, 4K 6-Speed Base	0	0	0	0	1
1		Frame Weldment, 5K 6-Speed Base	0	1	0	0	0
1		Frame Weldment, 5K Base	1	0	0	0	0
1		Frame Weldment, 3K/4K Base	0	0	1	1	0

Parts List

DRAWN <b>Derek Sevier</b>		PART DESCRIPTION <b>Frame Weldment, Mid Side Shift</b>		PART NUMBER	
APPROVED & DATE					
TOLERANCES .X= ± 0.060 .XX= ± 0.030 .XXX= ± 0.010		PAPER SIZE <b>B</b>	DATE: 6/17/2011   SCALE 1:8		SHEET 3 OF 3