

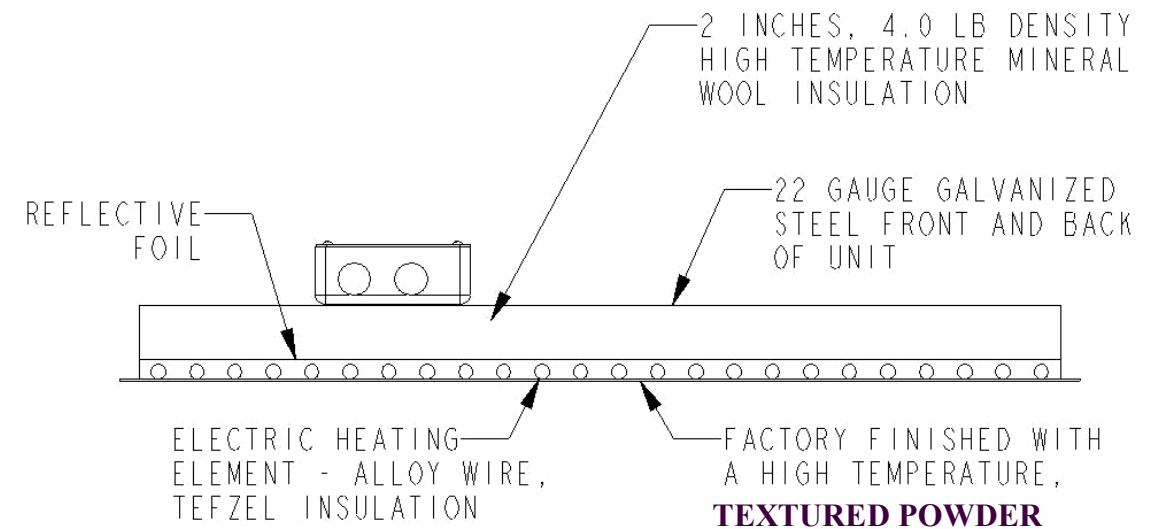
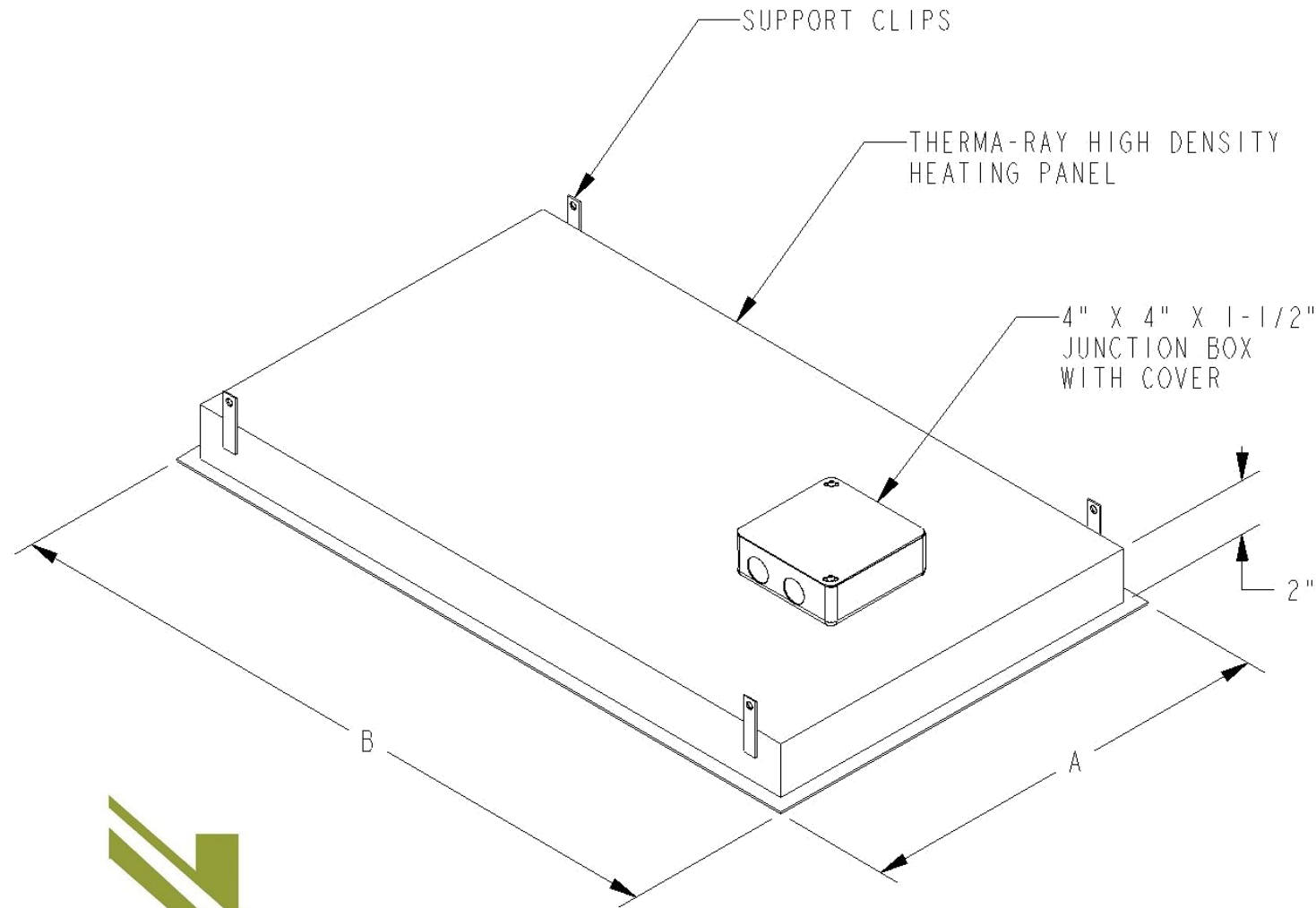
1 2 3 4 5 6

A

B

C

D



CUTAWAY VIEW OF SMARTROOMS ARCHITECTURAL SERIES HEATER



Exclusive Distributor

Toll Free: +1 (888) 992-2889
 Direct: +1 (438) 388-7700
 E: info@petrabuildingsolutions.com
 W: www.petrabuildingsolutions.com

PROJECT:	MODEL	WIDTH(A)	LENGTH(B)	WATTS
----------	-------	----------	-----------	-------

MODEL NO:		THE INFORMATION CONTAINED HEREIN IS PROPRIETARY TO THERMA-RAY INC. AND IS TO BE USED BY THE RECIPIENT SOLELY FOR THE PURPOSE FOR WHICH IT IS SUPPLIED. IT SHALL NOT BE DISCLOSED, IN WHOLE OR IN PART, TO ANY OTHER PARTY WITHOUT THERMA-RAY'S PRIOR PERMISSION.	
DATE:			
PROJECTION			
MILLIMETERS		INCHES	
DIMENSION		DIMENSION	
BELOW 152	±0.5	BELOW 6	±.02
152 TO 610	±1	6 TO 24	±.05
OVER 610	±2	OVER 24	±.125

THERMA-RAY INC. 670 WILSEY ROAD, UNIT 6
 FREDERICTON, NB, CANADA, E3B 7K4
 TEL: 506.457.4600 FAX: 506.457.4699

TITLE
ARCHITECTURAL SERIES HEATER

SIZE	DRAWING NO.	REVISION
B	CAN0021	01

SCALE	SHEET	REVISION DATE
1/5	1 OF 1	02/SEP/30

1 2 3 4 5 6

