



The Avant Collection.[®] Wood Blinds



STYLE

Introducing the new Avant Wood Blinds Collection featuring Eden Wood—a lighter wood that's ideal for larger shades—and without finger-jointing, for a seamless look. Eden Wood, together with Basswood, are the new materials for the Avant Collection of Lutron wood blinds.

Color & Finish Options



Available in a variety of colors and finishes, three valance styles, and decorative tapes, Lutron wood blinds are the perfect complement to any home décor.

Valance Options



Sutton



Royal



Harvard

LUTRON INNOVATION

Lutron wood blinds are available in two materials — Basswood and Eden Wood — for ultimate shade size flexibility

- Basswood material accommodates shades up to 96"w x 120"h
- Eden Wood material accommodates shades up to 108"w x 120"h

Lutron wood blinds offer independent control of lift and tilt

- Independent control adjusts height of blinds and provides access to a window without affecting tilt.

Intelligent Tilt Alignment™ maintains uniform tilt and lift positions across multiple shades

- Tilt position between adjacent shades will remain 1/16th of an inch
- Blinds feature Intelligent Hembar Alignment™, a hallmark of all Lutron shading systems, which maintains hembar position within 1/8th of an inch at all times

System provides the ability to store and recall presets

- Blinds go to a predetermined height and tilt angle when a preset is recalled
- Multiple presets can be defined for the same blind or group of blinds

Wood blind controls offer tilt adjustment buttons for precise positioning

Range of tilt can be adjusted from full tilt in either direction down to a fixed tilt angle



Materials featured on this page:
Avant Collection — Basswood, White Sand with Harvard Valance

FINEST MATERIALS

Slat materials available in two wood types and a variety of stains and painted colors

Basswood

Available in 17 natural and painted finishes. Custom color matching finishes are not available.



Noir
BW-NOIR



Espresso
BW-ESPRESS



Old Mahogany
BW-OLDMAHO



Chocolate Brown
BW-CHOCBRO



English Walnut
BW-ENGWALN



Red Chestnut
BW-REDCHES



Roasted Chestnut
BW-ROASTED



Warm Chestnut
BW-WRMCHES



Sun Kissed Oak
BW-SUNKISS



Red Leaf Maple
BW-RLMAPLE



Natural
BW-NATURAL



Warm Vanilla
BW-WVNILLA



White Sand
BW-WHTSAND



Cloud
BW-CLOUD



Snow
BW-SNOW



Distressed Warm Chestnut
BW-DWCHSNT



Distressed Sun Kissed Oak
BW-DSKOAK

Eden Wood

Available in 15 natural and painted finishes. Custom color matching finishes available.
Customer's Own Material (COM) also available.



Oak
EW-OAK



Cognat
EW-COGNAT



Caoba
EW-CAOBA



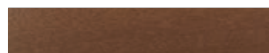
Tejo
EW-TEJO



Nogal
EW-NOGAL



Dark Walnut
EW-DWALNUT



Walnut
EW-WALNUT



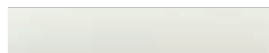
Clear Maple
EW-CLMAPLE



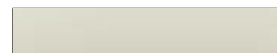
Dark Wenge
EW-DWENGE



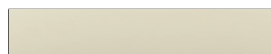
Wenge
EW-WENGE



Winter White
EW-WWHITE



Dove White
EW-DWHITE



Vanilla
EW-VANILLA



Cerezo
EW-CEREZO



Roble Claro
EW-RBLCLRO



Materials featured on this page:
Avant Collection — Basswood, Old Mahogany

DECORATIVE TAPE OPTIONS

Decorative tapes are available to conceal the lift cords while adding a colorful accent. The tapes also enhance light blockage when slats are in the closed position.

Basswood

Decorative tapes available in 19 colors.



White
DT-BW-WHT



Beige
DT-BW-BGE



Cherry
DT-BW-CHY



Rust
DT-BW-RST



Chocolate
DT-BW-CHO



Duck
DT-BW-DUC



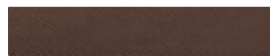
Taupe
DT-BW-TPE



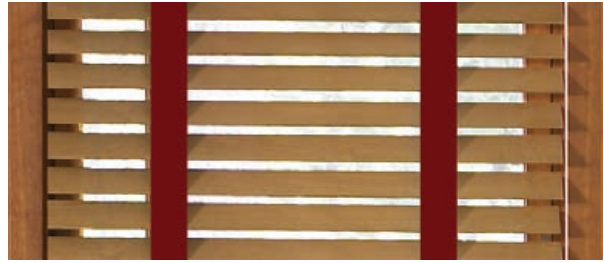
Black
DT-BW-BLK



Cappuccino
DT-BW-CAP



Cocoa
DT-BW-COC



Bone
DT-BW-BON



Wheat
DT-BW-WHE



Mulberry
DT-BW-MBY



Midnight
DT-BW-MID



Dark Green
DT-BW-DGN



Fawn
DT-BW-FWN



Toffee
DT-BW-TFE



Bordeaux
DT-BW-BDX



Forest
DT-BW-FST

Eden Wood

Decorative tapes available in 18 colors.



White
DT-EW-WHT



Tan
DT-EW-TAN



Espresso
DT-EW-ESP



Chestnut
DT-EW-CHE



Navy
DT-EW-NVY



Cream
DT-EW-CRM



Slate
DT-EW-SLT



Merlot
DT-EW-MER



Terracotta
DT-EW-TER



Black
DT-EW-BLK



Beige
DT-EW-BGE



Grey
DT-EW-GRY



Chocolate Brown
DT-EW-CBR



Mustard
DT-EW-MUS



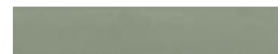
Taupe
DT-EW-TPE



Umber
DT-EW-UMB



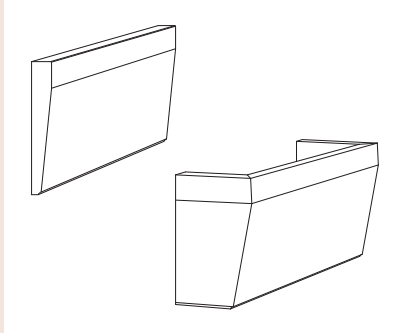
Rhubarb
DT-EW-RHU



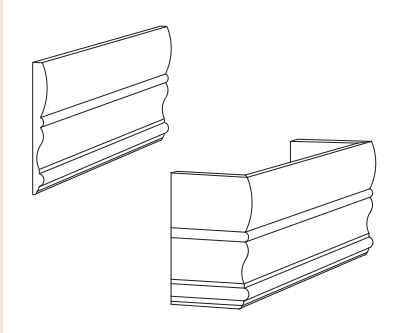
Sage
DT-EW-SAG

VALANCE OPTIONS

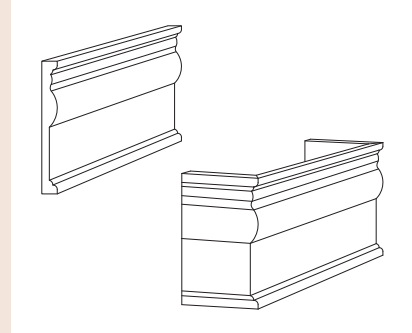
Lutron offers three valance styles to cover the headrail system. Valances are available for both inside and outside mount applications.



Sutton
V-SUTTON



Royal
V-ROYAL



Harvard
V-HARVARD

Inside Mount

Inside mount valances will be provided in a width of 0.25" less than the specified System Headrail Width to allow for mounting clearance.



Outside Mount

Outside mount valances have a standard 2.75" return depth. However, you can specify the return in any dimension between 1" and 10," to meet the needs of the application.





www.lutron.com/shadingsolutions

World Headquarters +1.610.282.3800
Technical Support Center 1.800.523.9466
Customer Service/Quotes 1.800.446.1503
Email: shadingcustsvc@lutron.com

© 05/2015 Lutron Electronics Co., Inc. | P/N 367-2582 REV A

