

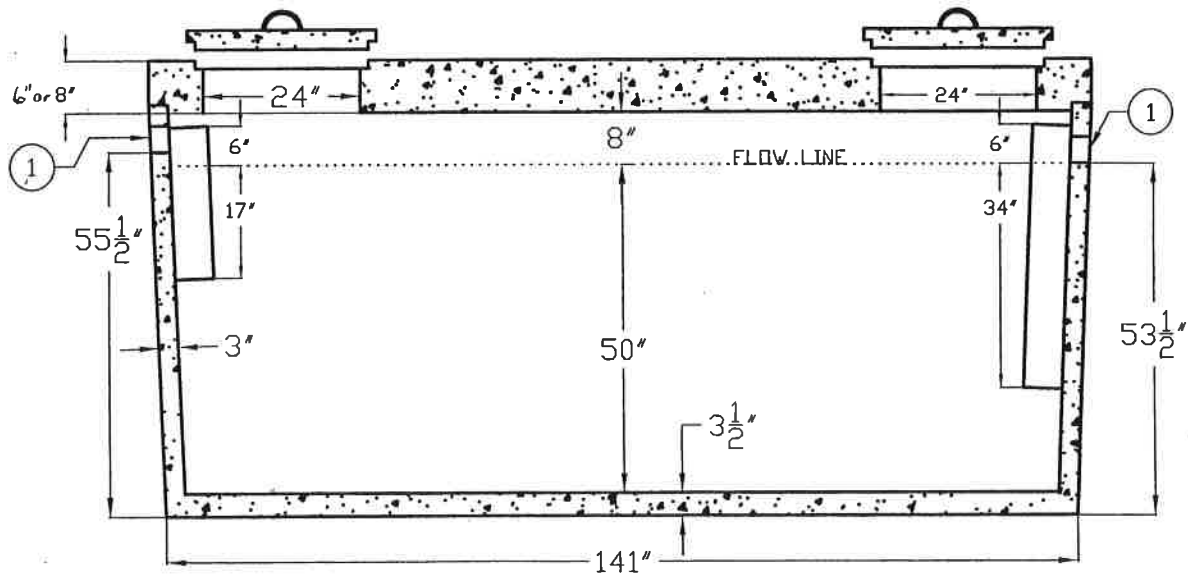
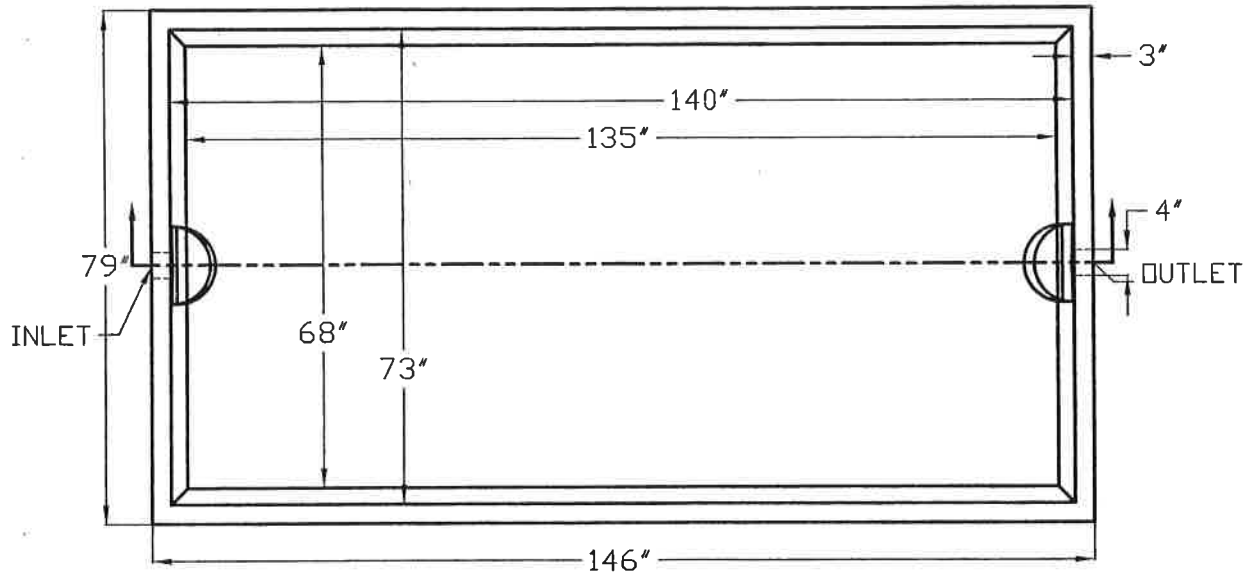
MEADE CONCRETE COMPANY LLC

W10440 Cty Rd K, P.O. Box 167 Lodi, WI 53555

(608) 592-3803 FAX (608) 592-3804

info@meadeconcrete.com

2000 GALLON GREASE TANK



Note:

- 1) 4" press-seal gasket on inlet and outlet.